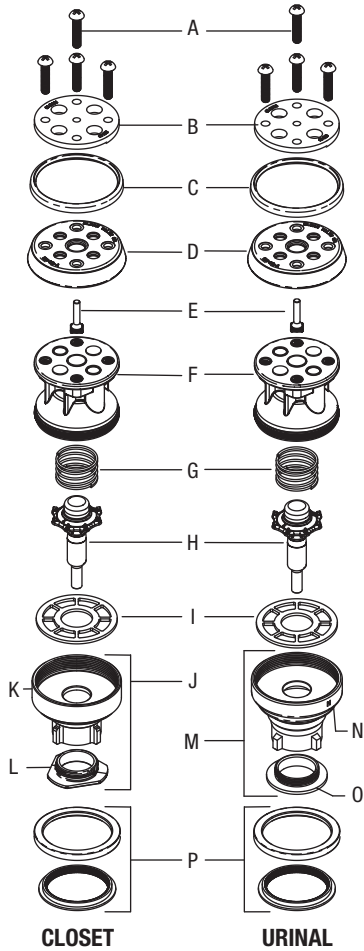


# Naval® Flushometer

Also for use with Crown® (Old style), Star and Marine



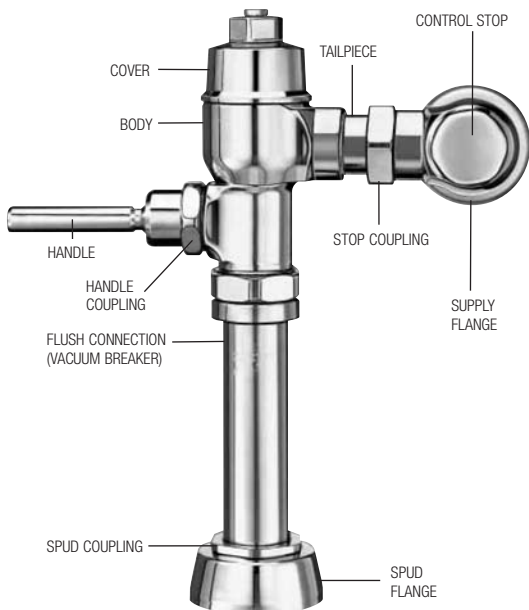
## NAVAL PISTON COMPONENTS (Items 14 thru 17 on previous page)

Item	Code No.	Part No.	Description
A.	<b>0314200</b>	CN-17	Top Plate Screws – 24 per package
B.	<b>0314082</b>	CN-15	Top Plate
	<b>0314179</b>	CN-15-A	Top Plate – Shower Valve only
C.	<b>0314314</b>	CN-92	Support Cup Lip Seal
D.	<b>5314188</b>	CN-68-A	Single Lip Cup – 12 per package
E.	<b>0314204</b>	CN-57	Xpelor
F.	<b>0314228</b>	CN-160	Piston Body
G.	<b>5328019</b>	SH-406	Spring – 12 per package (Replaces S/CN-58 Safety Bar)
H.	<b>0314078</b>	CN-18-A	Relief Valve
I.	<b>5314226</b>	CN-120	Relief Valve Seat – 12 per package
J.	<b>0314240</b>	CN-123-AC	Guide Assembly – Closet
K.	<b>0314231</b>	CN-23	Guide – Closet
L.	<b>0314237</b>	CN-144	Restriction Ring – Closet
M.	<b>0314242</b>	CN-123-AU	Guide Assembly – Urinal
N.	<b>0314189</b>	CN-43	RC Guide – Urinal
O.	—	CN-45	NK Restriction Ring – Urinal
P.	<b>0314234</b>	CN-21-A	Main Seat
	<b>0314223</b>	CN-121-A	Main Seat – Shower Valve only

NOTE: Naval® pistons can be used to replace pistons in older Crown® and Star flushometers.

## REPAIR KITS

Code No.	Part No.	Description
<b>0314016</b>	CN-1002-A	Piston with Main Seat – Closet
<b>0314017</b>	CN-1003-A	Piston with Main Seat – Urinal
<b>5314094</b>	CN-1004-A	Piston Rebuild Kit – Closet & Urinal – 6 per package includes: 13, A, B, C, D, E, I, K, Cap Screw Gasket & Regulating Screw Packing
<b>5314184</b>	CN-1006-A	Piston Rebuild Kit – Shower – 6 per package includes: 13, A, B, C, D, E, I, K, Cap Screw Gasket & Regulating Screw Packing
<b>5314184</b>	CN-1008-A	Regulating Screw Repair Kit – includes: 2, 8, 9, CN-24 Packing Disc, CN-25 Packing Gland, CN-26 Packing Regulating Screw, CN-61 Screw Regulating Stable Piston
<b>0314191</b>	CN-1009-A	Piston with Main Seat – Shower
<b>5314050</b>	CN-1010-A	Crown®/Naval® Valve Washer Set – 6 per package includes: 13, 19, 20, C, D, I, K, Cap Screw Gasket & Regulating Screw Packing
<b>5319049</b>	S-14-AA	Double Cup Repair Kit (Old style Crown, Star and Marine)
<b>5319046</b>	S-14-A	Double Cup Lip Seal only (Old style Crown, Star and Marine)



## ITEM 31A. SLIP JOINT GASKETS AND RINGS

Size	Code No.	Part No.	Description
1-1/2"	<b>5306058</b>	F-3	Red Friction Ring
	<b>5322001</b>	VBF-5	Black Slip Joint Gasket
	<b>0319086/5319086</b>	S-30	Flexible Seat
	<b>0319079</b>	S-21	Rigid Seat (rubber over brass)
1-1/2" x 1-1/4"	<b>0396062</b>	F-105	Slip Joint Gasket – Rigid
	<b>5306057</b>	F-3	Red Friction Ring
	<b>5322176</b>	VBF-5	Black Slip Joint Gasket
1-1/4"	<b>0307052/5307052</b>	G-21	Rigid Seat (rubber over brass)
	<b>5306056</b>	F-3	Red Friction Ring
	<b>5306115</b>	F-5	Black Slip Joint Gasket
3/4"	<b>5306055</b>	F-3	Red Friction Ring
	<b>5306113</b>	F-5	Black Slip Joint Gasket