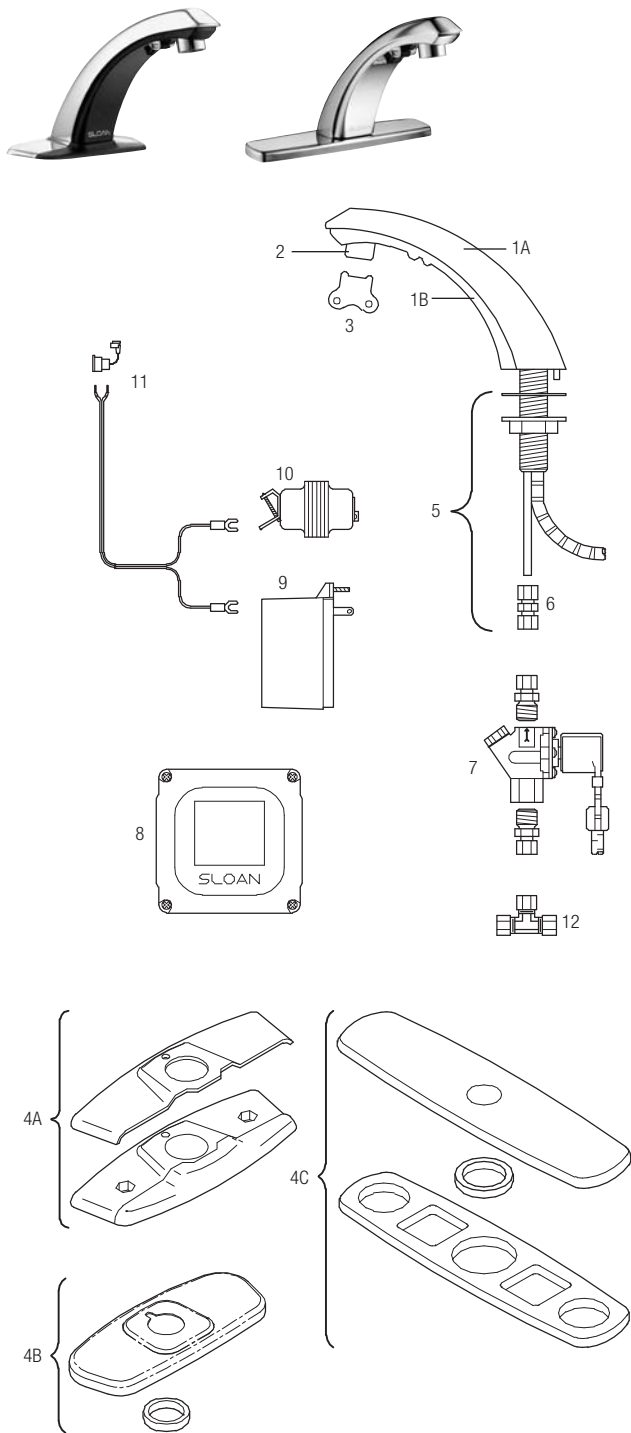


# Optima® ETF-80/ETF-880



## PARTS LIST—ETF-80 AND ETF-880 FAUCETS

Item No.	Code No.	Part No.	Description
1A.	<b>0305613</b>	ETF-250-A	Faucet/Sensor Assembly (ETF-80)
	<b>0365054</b>	ETF-625-A	Faucet/Sensor Assembly (ETF-880)
1B.	<b>3365523</b>	ETF-631-A	Sensor Assembly Only (for Faucets manufactured after 10/2003, identified by an all white Sloan name on throat plate) (ETF-80). For ETF-80 faucets prior to 10/2003 (identified by a white and red Sloan name on throat plate) sensor assembly discontinued. Use ETF-250 faucet/sensor assembly.
	<b>3365548</b>	ETF-1031	Repair Kit Throat Plate and Sensor (ETF-880)
2.	<b>3365091</b>	ETF-1021-A	0.5 gpm (1.9 Lpm) Spray Head with Key (female thread)
	<b>3365090</b>	ETF-1022-A	2.2 gpm (8.3 Lpm) Aerator Spray Head with Key (female thread)
	<b>3365161</b>	ETF-1028-A	1.5 gpm (5.7 Lpm) Laminar Flow Spray Head with Key (female thread)
	<b>3365755</b>	ETF-1038-A	0.35 gpm (1.3 Lpm) Multi-Lam Spray Head VR
3.	<b>0305927</b>	ETF-435	Replacement Key ONLY
4A.	<b>3365466</b>	ETF-295-A	4" (102 mm) Centerset Trim Plate Kit for Faucet (Faucet Only) includes two (2) Nuts, two (2) Hex Screws, two (2) Flat Washers, Single Hole Cover Plate, and CP Base Plate (ETF-80)
—	<b>3365467</b>	ETF-299-A	4" (102 mm) Centerset Trim Plate Kit for Faucet with Optional Mixing Valve includes two (2) Nuts, two (2) Hex Screws, two (2) Flat Washers, Dual Hole Cover Plate, and CP Base Plate (ETF-80)
4B.	<b>3365473</b>	ETF-662-A	4" (102 mm) Centerset Trim Plate Kit (CP) (ETF-880)
4C.	<b>3365024</b>	ETF-510-A	8" (203 mm) Centerset Trim Plate Kit includes two (2) Finger Nuts, two (2) Washer Gaskets, two (2) Fender Washers, Base Gasket, Back-up Spacer and CP Single Hole Trim Plate Assembly (CP) (ETF-880)
5.	<b>0305626</b>	ETF-290-A	Faucet Mounting Kit includes Rubber Gasket, Mounting Washer, Mounting Nut, and <b>4439071</b> Compression Fitting Connector
6.	<b>0305736</b>	ETF-297	1/4" to 3/8" Compression Fitting Connector
7.	<b>0305849</b>	ETF-370-A	24 VAC Solenoid Valve Assembly includes 18" (457 mm) armored Cable and two (2) Terminal Housings
	<b>3305577</b>	ETF-1009-A	Solenoid Valve Repair Kit includes Replacement Filter, Guide, Armature Spring, Diaphragm and Washer
	<b>3365676</b>	ETF-437-A	Single Solenoid Supply Kit includes, two (2) Compression Fittings
8.	<b>3365000</b>	ETF-450-A	Control Module Assembly includes splashproof Junction Box and Junction Box Mounting Kit
9.	<b>0365534</b>	ETF-233	120V/35VA Plug-In Transformer
10.	<b>0345370</b>	EL-248-40	24V/40 VA Box Mount Transformer
11.	<b>0365001</b>	ETF-458-A	Input Power Cable (Transformer to Control Module) includes Strain Relief and two (2) Terminal Crimp Connectors
12.	<b>3365461</b>	ETF-617-A	Bak-Chek® "T" Assembly
—	<b>3305560</b>	ETF-1006-A	Repair Kit for old-style ETF-80 Faucets (manufactured before 1992) includes Hex Screw, 5/64" Hex Wrench, Cable Assembly, Hose Clamp, 5-connector Housing, Key for Spray Heads, Access Plate/Sensor Assembly, and Control Module Assembly — <b>OBSOLETE</b>

### OLD-STYLE FAUCETS

ETF-80 faucets manufactured before 1992 had all their electronic circuitry located within the body of the spout.

Replacement parts (including sensor components) are available in repair kits ETF-1006-A. — **OBSOLETE**

See page 157 for faucet cable extension cords.

— = Not shown in illustration