



INSTALLATION INSTRUCTIONS

The humidistat is designed for **either return air duct or wall mounting**. Packaged in a duct mount configuration, **(For this type mounting begin installation at the section labeled return air duct installation on page 2.)** for conversion to a wall mount configuration simply pull off the knob and remove the mounting screws and rotate the control 180° and reattach the mounting base, **(For this type mounting begin installation at the section labeled wall mount installation on page 3.)**

DANGER

- * Do not cut or drill any air-conditioning or electrical accessories during installation.
- * Fatal electrocution is possible if you contact a live wire.
- * Electrical power can cause electrical shock
- * Disconnect all electrical power supplied to the equipment before beginning installation.
- * Blindness can occur if freon contacts your eyes.

CAUTION

- * Do not install on any electrical system over 30 VAC

CAUTION

- * All electrical wiring should comply with codes and ordinances.

Recommended Settings

At Outside Temperatures	Recommended Setting
-20°F -30°C	15%
-10°F -25°C	20%
0°F -20°C	25%
+10°F -10°C	30%
+20°F -5°C	35%
Over 20°F Over 0°C	40%

Warning:

Adjusting the humidity control higher than the recommended setting may cause condensation resulting in possible damage to the home.

RETURN AIR DUCT INSTALLATION

- 1 Locate the humidistat in the return air duct at least 12 in. up stream prior to the humidifier or the humidifier by-bass tube.
- 2 Remove the backing and adhere the humidistat mounting template in a horizontal position, make sure it is level.
- 3 Drill four 7/64 in. mounting holes.
- 4 Drill 1/2 in. hole in the center of the template and use tin snips to cut the rectangular hole designated by the dotted lines then remove template.
- 5 Remove the backing and adhere the gasket over the opening area.
- 6 Connect the low voltage wires to the humidistat terminals. Tuck the wire into the recessed area on the back of the base plate.
- 7 Use sheet metal screws to securely fasten the humidistat to the return air duct.

CAUTION:

- * **Mount the humidistat in the return air duct only, installation on the warm air duct will destroy humidistat element.**
- * **Make certain the wires stay in the slot under the mounting base.**

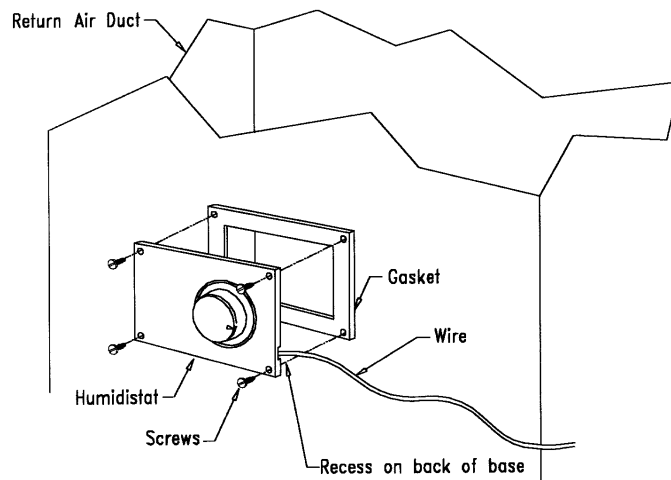


Figure 1 Wiring Diagram

WALL MOUNT INSTALLATION

- 1 Locate the humidistat about 5 ft. above the floor, on an inside wall, away from discharge registers. Also, avoid areas with extreme variation in relative humidity levels; i.e. bathrooms and kitchens. When wall mounting, homeowners usually prefer the humidistat mounted beside, or in the vicinity of the heating thermostat.
- 2 **For conversion to a wall mount configuration, simply pull the indicator knob off and remove the mounting screws, and rotate the control 180° and reattach the mounting base Fig 2.**
- 3 Drill a 3/8 in. hole in the indentation on the mounting base plate.
- 4 Place the base assembly in the predetermined location on the wall, in a horizontal position, make sure it is level. Mark and drill a 3/8 in. hole in the wall.
- 5 Run low voltage wire to the location and pull about 6 in. of wire through the hole.
- 6 Plug the hole with a nonflammable insulation to prevent drafts from affecting the humidistat operation.
- 7 Position the base assembly over the wire and pull the wire through the hole previously drilled in the plate.
- 8 Use four 1 in. screws to secure the mounting base plate to the wall.
- 9 Connect the wires to the terminals on the control.
- 10 Use one 3/8 in. screw to secure the humidistat cover.
- 11 Remove the backing and adhere the cover label to the recessed area on the front of the cover.
- 12 Push the indicator knob onto the control shaft.

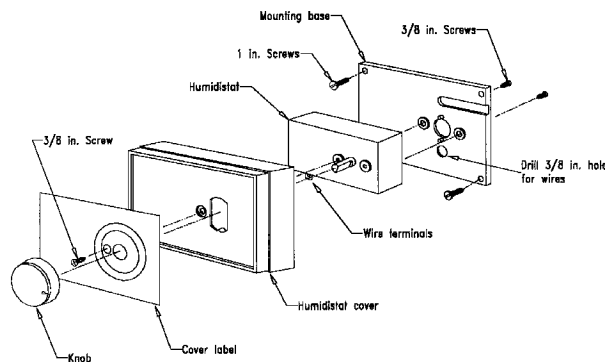


Figure 2 Wiring Diagram

WIRING INSTRUCTIONS

CAUTION:

- * Use the wiring diagram shown for single speed blower operation only.
- * *When wiring multispeed blower systems use a A50 relay or a fan sail switch to prevent premature component failure.*
- * Consult the instructions included with the humidifier and any additional controls for instructions on wiring.
- * Fatal electrocution is possible if you contact a live wire.
- * Electrical power can cause electrical shock
- * Disconnect all electrical power supplied to the equipment before beginning installation.
- * All electrical wiring should comply with codes and ordinances.

Caution: When wiring a Model 2002 or a Steam Humidifier Consult the Units wiring diagram. These Units Don't require an additional transformer.

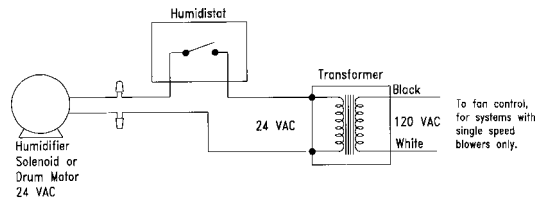


Figure 3 Wiring Diagram

OPERATIONS CHECK

- 1 Turn the heating system thermostat up and wait until the system blower activates.
- 2 Turn the humidistat clockwise to the on position, visually check humidifier for operation.
- 3 Turn the humidistat counterclockwise to 10% or lower, visually check to see that humidifier shuts off.

Note: The set point where the humidistat turns on and off may not represent the actual indoor relative humidity, due to storage and transport environments. Allow at least 24 hours for humidity control to adjust to the installation.

- 4 Turn the humidistat to the recommended setting for operation (see the recommended settings chart on page 1).
- 5 Turn the system thermostat back to normal operation.

Warning: Adjusting the humidity control higher than the recommended setting may cause condensation resulting in possible damage to the home.