

AUTOMATIC TRAP PRIMER VALVE

» 695 SERIES

PrimePerfect™

ITEM # SUBMITTED	_____
JOB NAME	_____
LOCATION	_____
ENGINEER	_____
CONTRACTOR	_____
PO#	_____ TAG _____

SPECIFICATION

Where replenishment of water in floor drain traps is required; trap primer valves shall be 1/2" FIP inlet x 1/2" MIP outlet, automatic trap primer valves which activate with a 10 PSIG pressure drop between 30–150 PSIG. Water release shall be factory set. Trap primer valve shall have large port openings and a non-corrosive brass finish. Must be UPC/IAPMO listed, and ASSE certified to the ASSE 1018 standard.

WORKING PRESSURE

30–250 PSIG

OPERATING PRESSURE

Activates with a 10 PSIG pressure drop at 30–150 PSIG

INSTALLATION

Install to a convenient 1/2"–1 1/2" nominal water line, nearest the trap or traps to be served. Install in the upright, vertical position only. Install at least 5" (127 mm) above the grid of the floor drain or the flood rim of the sink or fixture which the trap serves. Install near plumbing fixtures to insure a full pressure drop of 10 PSI or more. If the trap primer is installed too far upstream in the system, the pressure drop may not be enough for activation. To help prevent sediment buildup, install a vertical loop that rises above the supply line tee. (see figure 1) Flush trap primer branch line prior to installing the trap primer. Install MIP adapter. Thread on trap primer. Install FIP union to bottom. Use PTFE tape sealant on both connections. Do not use pipe dope. Do not solder or braze directly to trap primer or fittings installed in trap primer. Water discharge is factory set—no adjustment is required on normal installations. However, for static pressures over 100 PSI, adjustments may be necessary. First loosen the nipple locknut (10, below), then turn the nipple (19, below) counter-clockwise until the trap primer starts dripping, turn the nipple clockwise 1/4-turn, and re-tighten nipple locknut.

DIMENSIONS

Inlet	1/2" FIP
Outlet	1/2" MIP
Diameter	2 3/4"
Length	5 1/4"

COMPONENTS

- | | |
|-----------------------------------|-------------------------------|
| 1: Cap, brass-plated Zamac No. 3 | 11: Vacuum breaker |
| 2: Stainless steel screws | 12: Sediment screen |
| 3: Diaphragm | 13: Diaphragm stop washer |
| 4: Valve stem spring | 14: Diaphragm spring retainer |
| 5: Valve stem nut | 15: Valve stem |
| 6: rubber valve disc | 16: Diaphragm spring |
| 7: Valve stem guide | 17: Valve washer |
| 8: Body, brass-plated Zamac No. 3 | 18: Diaphragm adjustment nut |
| 9: Nipple seat washer | 19: Brass nipple |
| 10: Nipple locknut | |



695-01

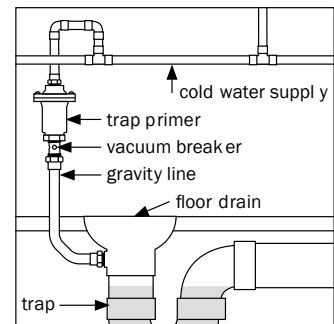
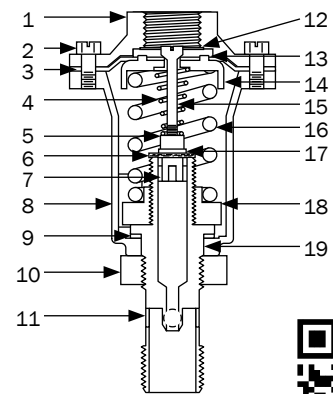


figure 1



Create Item Number

695-01

ACCESSORIES

- | | | |
|---|--|---|
| 695-Y52 = wye splitter | 695-D40 = four 1/4" male sweat branches | 695-D432F = four 1/2" FIP branches with two plugs |
| 695-D20 = two 1/4" male sweat branches | 695-D432 = two 1/4" male sweat branches, two spin-closed branches | 695-D4325 = two 1/2" female sweat branches, two spin-closed branches |
| 695-D30 = three 1/4" male sweat branches | | |