

# ROOF DRAIN

867 series

## SPECIFICATION

Sioux Chief 867 Series roof drain shall be used where necessary in drainage systems. Drain shall have a U.V. resistant polypropylene or cast iron dome strainer, and U.V. resistant PVC or ductile iron gravel guard. Dome strainer shall fasten to gravel guard. Gravel guard shall fasten to drain body with four screws that thread into brass inserts. Drain body shall have a Sch. 40 hub connection which conforms to ASTM D2665 or D2661. Connection to drainage system shall be made with a solvent weld joint to ABS/PVC pipe.

## MATERIALS

- drain body:* ABS, PVC
- gravel guard:* PVC, enamel-coated ductile iron
- dome strainer:* polypropylene, enamel-coated cast iron

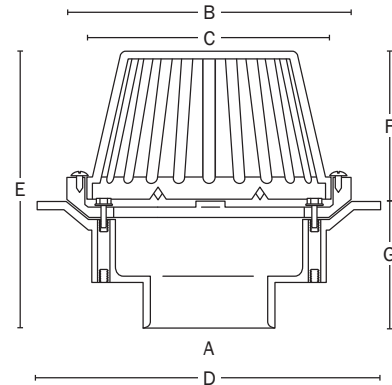
## DIMENSIONS

- A: connection 2", 3", 4" Sch. 40 hub
- B: gravel guard diameter 8"
- C: strainer diameter 7½"
- D: flange diameter 10"
- E: overall height 8⅛"
- F: elevation 4⅛"
- G: drain body height 4"

|                        |
|------------------------|
| Item # Submitted _____ |
| Job Name _____         |
| Location _____         |
| Engineer _____         |
| Contractor _____       |
| PO# _____ TAG _____    |



867-P4



Create Item Number

**867-ABC**

e.g. 867-P3MCSTP2 = 3" PVC roof drain with micro-screen covered enamel-coated cast iron dome strainer, ductile iron gravel guard and 2" overflow standpipe installed

### A MATERIAL

- A ABS body/connection
- P PVC body/connection

### B CONNECTION SIZE

- 2 2" Sch. 40 hub
- 3 3" Sch. 40 hub
- 4 4" Sch. 40 hub

### C OPTIONS

- M cast iron dome strainer in lieu of polypro<sup>1</sup>
- V vandal-resistant dome screws
- P stainless steel screen installed over dome strainer
- C ductile gravel guard in lieu of PVC<sup>2</sup>
- STP2 2" overflow standpipe
- U underdeck clamp kit

### ACCESSORIES

- 867-C underdeck clamp kit
  - 867-HC PVC gravel guard
  - 867-MC ductile iron gravel guard
  - 867-UM stainless steel dome screen
- 1 Polypro strainer is standard unless otherwise specified
- 2 PVC gravel guard is standard unless otherwise specified