

# 30 mm Heavy Duty, Watertight/Oiltight, Class 52

## Legend plates for Class 51 and 52

### Design

The 30 mm legend plates are approved for the use with both Class 51 and Class 52 devices. Automotive legend plates require 2 1/2" mounting centers. Plastic legend plates will have white letters engraved.

When ordering custom engraved legend plates, specify the required inscription text.

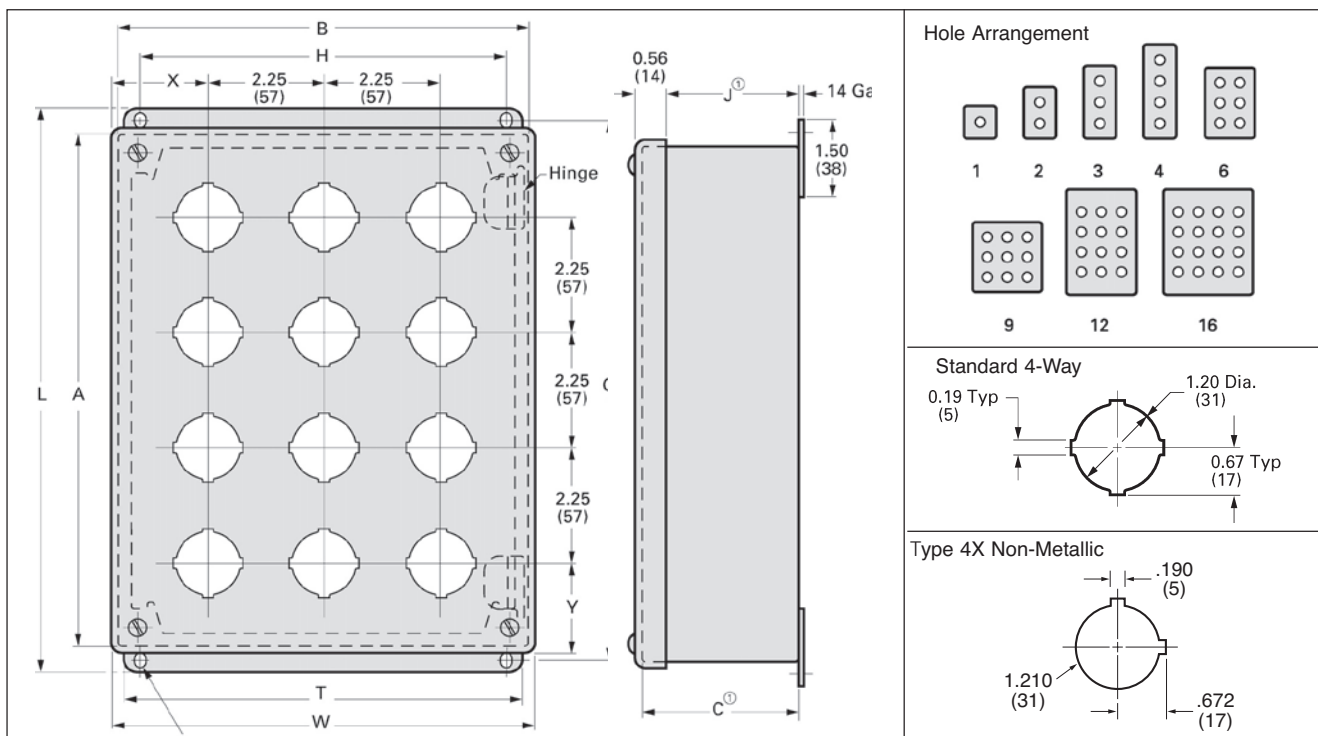
### Selection and ordering data

Inscription	Large (1 1/4" x 2")	Automotive <sup>①</sup> (2 7/16" x 2 7/16")	Large Plastic <sup>②</sup> (2 1/16" x 2")	Automotive Plastic <sup>②②</sup> (2 7/16" x 2 7/16")
	Order No.	Order No.	Order No.	Order No.
"Blank (brushed aluminum)"	<b>52NL02</b>	<b>52NA02</b>	—	—
"Blank (red)"	<b>52NL02R</b>	<b>52NA02R</b>	<b>52ND02R</b>	<b>52NE02R</b>
"Blank (Black)"	<b>52NL02B</b>	<b>52NA02B</b>	<b>52ND02B</b>	<b>52NE02B</b>
<b>Inscribed legend plates with large brushed aluminum background</b>				
Close	<b>52NL18</b>	<b>52NA18</b>	—	—
Down	<b>52NL10</b>	<b>52NA10</b>	—	—
Emerg Stop	<b>52NL16</b>	<b>52NA16</b>	—	—
Emerg Stop (red)	<b>52NL16R</b>	<b>52NA16R</b>	—	—
Fast-Slow	<b>52NL33</b>	<b>52NA33</b>	—	—
Forward	<b>52NL05</b>	<b>52NA05</b>	—	—
For-Off-Rev	<b>52NL38</b>	<b>52NA38</b>	—	—
For-Rev	<b>52NL31</b>	<b>52NA31</b>	—	—
Hand-Off-Auto	<b>52NL37</b>	<b>52NA37</b>	—	—
High	<b>52NL07</b>	<b>52NA07</b>	—	—
High-Low	<b>52NL30</b>	<b>52NA30</b>	—	—
High-Off-Low	<b>52NL44</b>	<b>52NA44</b>	—	—
In	<b>52NL21</b>	<b>52NA21</b>	—	—
Jog	<b>52NL13</b>	<b>52NA13</b>	—	—
Jog-Forward	<b>52NL24</b>	<b>52NA24</b>	—	—
Jog-Reverse	<b>52NL25</b>	<b>52NA25</b>	—	—
Low	<b>52NL08</b>	<b>52NA08</b>	—	—
Lower	<b>52NL20</b>	<b>52NA20</b>	—	—
Man-Auto	<b>52NL35</b>	<b>52NA35</b>	—	—
Off	<b>52NL12</b>	<b>52NA12</b>	—	—
Off-On	<b>52NL26</b>	<b>52NA26</b>	—	—
On	<b>52NL11</b>	<b>52NA11</b>	—	—
On-Off-Auto	<b>52NL40</b>	<b>52NA40</b>	—	—
Open	<b>52NL17</b>	<b>52NA17</b>	—	—
Open-Close	<b>52NL34</b>	<b>52NA34</b>	—	—
Open-Off-Close	<b>52NL41</b>	<b>52NA41</b>	—	—
Out	<b>52NL22</b>	<b>52NA22</b>	—	—
Pull to Start Push to Stop	<b>52NL47</b>	<b>52NA47</b>	—	—
Raise	<b>52NL19</b>	<b>52NA19</b>	—	—
Raise-Lower	<b>52NL36</b>	<b>52NA36</b>	—	—
Reset	<b>52NL14</b>	<b>52NA14</b>	—	—
Reverse	<b>52NL06</b>	<b>52NA06</b>	—	—
Run	<b>52NL23</b>	<b>52NA23</b>	—	—
Run-Jog	<b>52NL29</b>	<b>52NA29</b>	—	—
Safe-Run	<b>52NL27</b>	<b>52NA27</b>	—	—
Slow-Off-Fast	<b>52NL39</b>	<b>52NA39</b>	—	—
Start	<b>52NL03</b>	<b>52NA03</b>	—	—
Start-Jog	<b>52NL28</b>	<b>52NA28</b>	—	—
Start-Stop	<b>52NL32</b>	<b>52NA32</b>	—	—
Stop	<b>52NL04</b>	<b>52NA04</b>	—	—
Stop (red)	<b>52NL04R</b>	<b>52NA04R</b>	—	—
Up	<b>52NL09</b>	<b>52NA09</b>	—	—
Up-Down	<b>52NL49</b>	<b>52NA49</b>	—	—
Up-Off-Down	<b>52NL42</b>	<b>52NA42</b>	—	—
<b>Inscription plates with custom engraving</b>				
"Custom engraved (brushed aluminum)"	<b>52NL02E</b>	<b>52NA02E</b>	—	—
"Custom engraved (red)"	<b>52NL02RE</b>	<b>52NA02RE</b>	<b>52ND02RE</b>	<b>52NE02RE</b>
"Custom engraved (Black)"	<b>52NL02BE</b>	<b>52NA02BE</b>	<b>52ND02BE</b>	<b>52NE02BE</b>
Max. number of rows	2	2	2	2
Letter height	5/32"	1/4"	5/32"	1/4"
Characters per row	14	16	14	16

① Automotive requires 2 1/2" mounting centers  
 ② White letters on plastic nameplate.

# 30mm Heavy Duty, Watertight/Oiltight, Class 52

## Dimensional drawings



### Type 12/13 and 4X Stainless Steel

Units	Enclosure Size			Mounting		Overall					
	A	B	C	G	H	L	W	J	T	X	Y
1	3.50 (89)	3.25 (83)	2.75 (70)	4.00 (102)	2.38 (60)	4.50 (114)	3.47 (88)	2.31 (59)	3.00 (76)	1.73 (44)	1.86 (47)
2	5.75 (146)	3.25 (83)	2.75 (70)	6.25 (159)	2.38 (60)	6.75 (171)	3.47 (88)	2.31 (59)	3.00 (76)	1.73 (44)	1.86 (47)
3	8.00 (203)	3.25 (83)	2.75 (70)	8.50 (216)	2.38 (60)	9.00 (229)	3.47 (88)	2.31 (59)	3.00 (76)	1.73 (44)	1.86 (47)
4	10.25 (260)	3.25 (83)	2.75 (70)	10.75 (273)	2.38 (60)	11.25 (286)	3.47 (88)	2.31 (59)	3.00 (76)	1.73 (44)	1.86 (47)
6	9.50 (241)	6.25 (159)	3.00 (76)	10.00 (254)	5.38 (137)	10.50 (267)	6.47 (164)	2.56 (65)	6.00 (152)	2.11 (54)	2.61 (66)
9	9.50 (241)	8.50 (216)	3.00 (76)	10.00 (254)	7.62 (194)	10.50 (267)	8.72 (221)	2.56 (65)	8.25 (210)	2.11 (54)	2.61 (66)
12	11.75 (298)	8.50 (216)	3.00 (76)	12.25 (311)	7.62 (194)	12.75 (324)	8.72 (221)	2.56 (65)	8.25 (210)	2.11 (54)	2.61 (66)
16 <sup>2)</sup>	11.75 (298)	10.75 (273)	3.00 (76)	12.25 (311)	9.88 (251)	12.75 (324)	10.97 (279)	2.56 (65) <sup>2)</sup>	10.50 (267)	2.11 (54)	2.61 (66)

### Type 12/13 Extra Deep Enclosures

Units	Enclosure Size			Mounting		Overall					
	A	B	C	G	H	L	W	J	T	X	Y
1	4.00	4.00	4.75	4.50	3.12	5.00	4.22	4.31	3.75	2.11	2.11
2	6.00	4.00	4.75	6.50	3.12	7.00	4.22	4.31	3.75	2.11	1.98
3	8.00	4.00	4.75	8.50	3.12	9.00	4.22	4.31	3.75	2.11	1.86
4	10.00	4.00	4.75	10.50	3.12	11.00	4.22	4.31	3.75	2.11	1.73
6	9.50	6.25	4.75	10.00	5.38	10.50	6.47	4.31	6.00	2.11	2.61
9	9.50	8.50	4.75	10.00	7.62	10.50	8.72	4.31	8.25	2.11	2.61
12	11.75	8.50	4.75	12.25	7.62	12.75	8.72	4.31	8.25	2.11	2.61
16 <sup>2)</sup>	11.75	10.75	4.75	12.25	9.88	12.75	10.97	4.31	10.50	2.11	2.61

### Type 4X Non-Metallic

Units	Enclosure Size		Mounting		Overall	
	A	B	C	G	H	W
1	6.00	3.19	3.63	4.88	2.94	3.81
2	6.00	3.19	3.63	4.88	2.94	3.81
3	8.26	3.19	3.63	7.13	2.94	3.81
4	10.51	3.19	3.63	9.37	2.94	3.81

All dimensions shown in inches and (millimeters). For reference purposes only. Not to be used for design or construction purposes.

- 1) Grounding stud in body of enclosure.
- 2) For stainless steel add 1.75 (45) to depth.