



Accessories



Removable hub kits

	Conduit Size (inches)	Catalog number
 Removable hub	RX type hubs small	
	1	H38596-2
	1-1/4	H38597-2
	1-1/2	H38598-2
	2	H38599-2
	2-1/2	H38600-2
	Cover plate - steel	H38595-1
Cover plate - aluminum	H38595-2	
 Cover plate	HD Type Hubs Large	
	3	H56856-2
	3-1/2	H56857-2
	4	H56858-2
	Cover plate - steel	H56933
	Cover plate - aluminum	H56933-1
 Large to small adaptor - steel HD to RX Large to small adaptor - aluminum HD to RX	Large to small adaptor - steel HD to RX	H9747-1113
	Large to small adaptor - aluminum HD to RX	H9747-1112



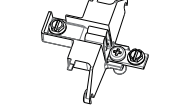

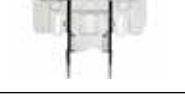
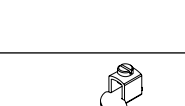







K-Base Accessories

Description	Catalog number
K-7 only Isolated Neutral Kit	H69685-1
 K-7 Rotary Bypass - 600 Amp rated	H69623
 K-7 Rake Type Bypass - 600 Amp rated, temp use only	H58888
 K-4 Rake Type Bypass - 600 Amp rated, temp use only	H56495
 Insulated T-Handle Wrench	H69232-1
 Magnetic Hex Socket* *For use on meter Not for use on K7	H69546-1

Sealing rings

	Description	Catalog number
	Stainless Steel Snap Type	H54602
	Stainless Steel Screw Type	H9738-8002
	Black plastic meter opening cover	H39968
	Clear plastic meter opening cover (with plug-in feet)	H659-0162

UAT, UAS, MQ and HQ Accessories

Description	Catalog number
 Insulated 5th terminal kit - Type AS, AT only	H659-0120
 Grounded 5th terminal kit - Type AS, AT only	H659-0121
 Anti-Inversion Clip for HQ Sockets	H59676
 MQ 5th terminal kit - 9:00	H8059864
 HQ 5th terminal kit - 9:00 w/o wire	H35815-2
 HQ 5th terminal kit - 9:00 w/ wire	H35815-3
 HQ 5th terminal kit - 9:00 w/ 9" lead *For use with side wired devices only.	H35815-5*
Grey touch-up paint -TUP61, 12 oz. can	XPT060
 Ground strap kit, HQ-5	35566-1
 Ground lug kit, #14-2	H36503
 Add-on grounding lug for HQ/HQU	H55303
 HQ isolated neutral kit (for 200A only, not for use with 320A) *Includes neutral and isolation block	H64685-1*
 Neutral isolation kit for HQ (for 200A only, not for use with 320A) *Isolates existing neutral	H64690-1*
 Insulated Jumper	H36479
7/8" Barrel Lock Guard	HBRLOCK