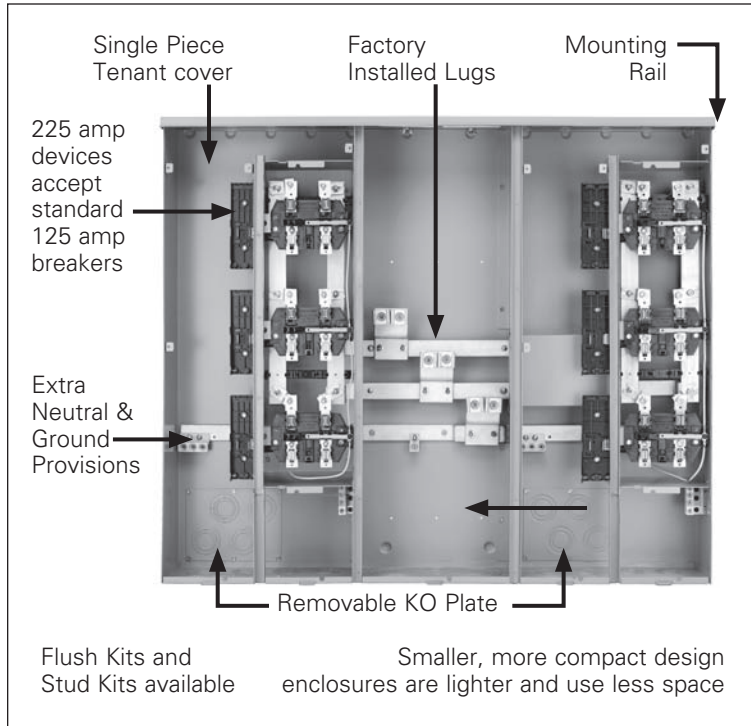


# Meter Centers

## Uni-PAK Metering: WEP Ringstyle EUSERC



### Features

- Individual split covers
- UL Listed for 60 / 75°C conductors. See equipment markings for applications
- For small apartment buildings, small professional and commercial buildings
- Completely self-contained meter centers
- Two to six 125A and 225A breaker positions
- Outdoor surface mounted enclosures
- Semi flush with applicable field installed kit
- Compact, pre-bussed, easy to handle, hang and wire
- Barriercd, sealable compartment for unmetered current-carrying parts
- Al/Cu lay-in lugs, except two socket units
- Top or bottom feed
- Bottom and rear branch wiring exits (Neutral and ground at bottom only)
- ANSI #61 light gray electrodeposited paint on zinc-coated G90 steel
- Meets EUSERC specifications when NEMA stud kit and flushing ring (if required) is field added

### EUSERC Compliant Ring Style Uni-PAK 120/240V 1 Phase, 3 Wire

Max. Tenant Main <sup>①</sup>	Bus Amperage	Meter Positions Per Pak	Old Catalog Number <sup>②</sup>	NEW Catalog Number Available Sept. 2011	Breaker Provision	Max. AIC	Dimensions <sup>①</sup>			5th Jaw <sup>①</sup> Assembly	Line Lugs Wire Range <sup>①</sup>	Semi-Flush Kit #	EUSERC Drawing #342				
							Height	Width	Depth								
125	200	2	SP2211	WEP2211	QP, QPH, HQP, MP-T, MP-HT, MP-MT	65,000	32.52	13.80	7.56	ECMF5 6:00 or 9:00	#6-300 kcmil	WPFK1	figure 1				
	300	3	SP3311	WEP3311			38.75	25.42			#2-600 kcmil	WPFK2					
	400	4	SP4411	WEP4411			47.75	38.94			1/0-750 kcmil CU-AL or (2) 1/0-250 AL or (2) 1/0-3/0 CU	WPFK3					
		5	SP4511	WEP4511			38.75	31.28			(2) #2-600 kcmil	WPFK4	figure 3				
	500	4	SP5411	WP5411			47.75	44.82				WPFK5					
	400	6	SP4611	WEP4611			38.75	28.53			1/0-750 kcmil CU-AL or (2) 1/0-250 AL or (2) 1/0-3/0 CU	WPFK6		figure 2			
	225	400	2	SP4212			WEP4212	QP, QPH, HQP, MP-T, MP-HT, MP-MT, QS, QSH, QSHH, HQS, HQSH			100,000	29.75	34.41		7.56	ECMF5 6:00 or 9:00	WPFK7
			3	SP4312			WEP4312					38.75		28.53			WPFK8
4			SP4412	WEP4412	47.75	34.41	WPFK9										
600		5	SP6512	WEP6512	38.75	51.04	(2) #2-600 kcmil		WPFK10	N/A							
		6	SP6612	WEP6612													
800		6	SP8612	WEP8612	38.75	51.04	(2) 1/0-750 kcmil or (4) 1/0-250 AL or (4) 1/0-3/0 CU		WPFK10	N/A							
1000	NA	WEP10612	WEP10612	57.53		(3) #2-500 kcmil	WPFK11										

### NEMA Stud Kits

Catalog Number	Amperage	Note
WPSK400	400A	fits 300-400
WPSK600	600A	fits 500-600
WPSK800	800A	—
WPSK1000	1000A	—

① Dimensions and information shown are for WPXXX units. For old style information, please see the 2008 Speedfax.

② Dimensions, ratings, and technical information shown are for WP series PAK only. Consult the 2007-2008 Speedfax for information on SP series.

③ Please note the EUSERC standard currently only covers up to 600 amp devices. Please consult utility prior to installation.

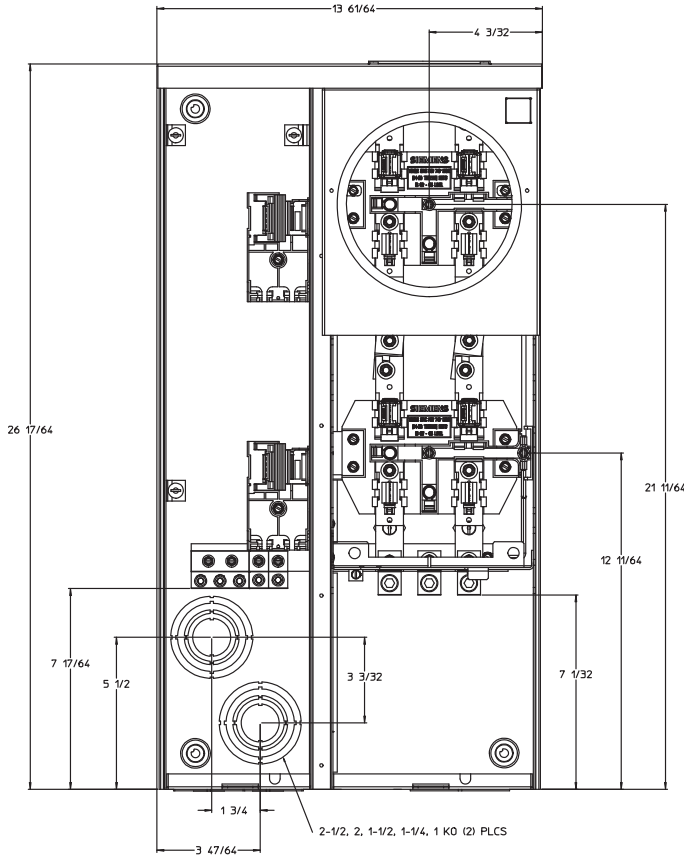
# Meter Centers

## Uni-PAK Metering: Dimensional & Knockout Diagrams

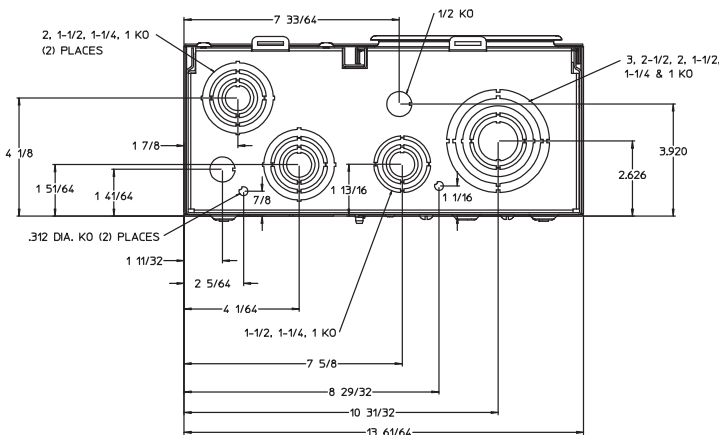
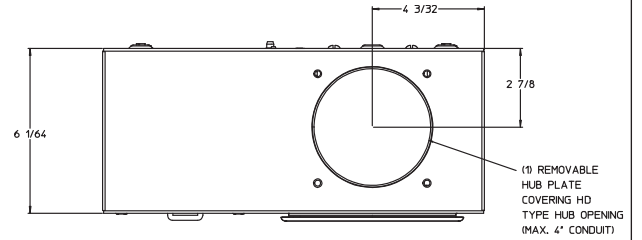
METER CENTERS  
2

Multi-family  
Metering

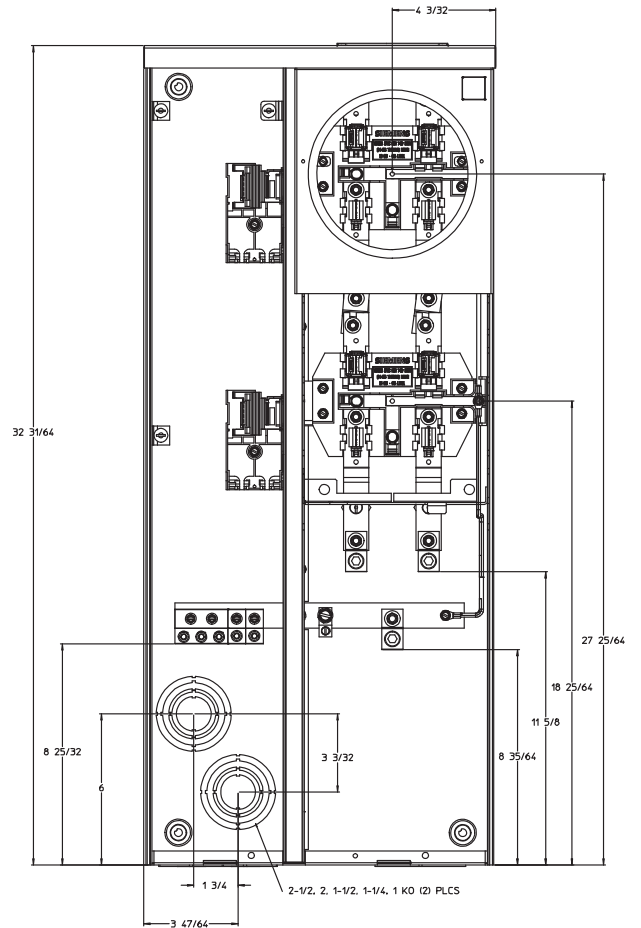
WP2211



Top view for  
WP2211 and WEP2211



Bottom view for  
WP2211 and WEP2211



WEP2211