

Circuit Breakers

Main and Branch Circuit Breakers^①

LOAD CENTERS & CIRCUIT BREAKERS 1

Breaker Type	Ampere Rating	Catalog Number	Catalog Number	UL Interrupting Ratings (kA)
QN 2-Pole 120/240V AC	150	QN2150	QN2150R ^②	10
	175	QN2175■	QN2175R ^② ■	10
	200	QN2200	QN2200R ^②	10
QNH 2-Pole 120/240V AC	150	QN2150H	QN2150RH ^②	22
	175	QN2175H■	QN2175RH ^② ■	22
	200	QN2200H	QN2200RH ^②	22
HQN 2-Pole 120/240V AC	150	HQN2150	HQN2150R ^②	65
	175	HQN2175■	—	65
	200	HQN2200	HQN2200R ^②	65

Requires 4 panel spaces, 2 adjacent and 2 opposite. **SHIPPING:** 1 per carton (Wt. 3 lbs.)

Main Breaker Kits

For use in Ultimate Load Centers ^③			For use in EQIII Load Centers			
UL Type	Ampere Rating	Catalog Number	UL Type	Ampere Rating	Catalog Number	UL Interrupting Ratings (kA)
EQ8681	100	MBK100A	EQ9675	100	MBK100	22
EQ8682	125	MBK125A	EQ9677	125	MBK125	22
EQ8693	150	MBK150A	EQ9683	150	MBK150	22
—	—	—	EQ9684	175	MBK175■	22
EQ8695	200	MBK200A	EQ9685	200	MBK200	22
EQ8696	225	MBK225A	EQ9686	225	MBK225	22

Breaker Type	Ampere Rating	Catalog Number	UL Interrupting Ratings (kA)
QPJ ^④ 3-Pole 240V AC	125	QPJ3125	10
	150	QPJ3150	10
	200	QPJ3200	10

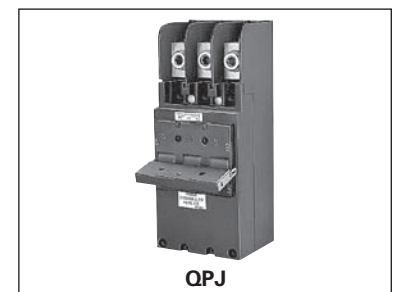
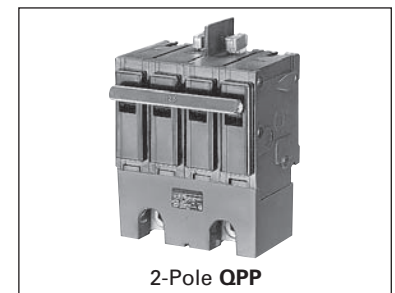
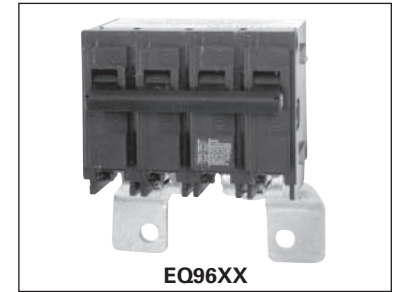
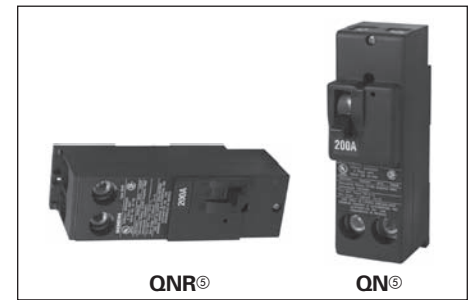
Requires 6 spaces due to cross over design. Fits only EQIII 125-400A 3-phase load centers

SHIPPING: 5 per carton (Wt. 17 lbs.)

Breaker Type	Ampere Rating	Catalog Number	UL Interrupting Breaker Ratings (kA) Volts AC 120/240
QPP 2-Pole 120/240V AC	125	Q2125B	10
	150	Q2150B	10
	175	Q2175B■	10
	200	Q2200B	10
	225	Q2225B	10
QPPH 2-Pole 120/240V AC	125	Q2125BH	22
	150	Q2150BH	22
	175	Q2175BH■	22
	200	Q2200BH	22
	225	Q2225BH■	22
HQPP 2-Pole 120/240V AC	125	Q2125BHH■	65
	150	Q2150BHH	65
	175	Q2175BHH■	65
	200	Q2200BHH	65
	225	Q2225BHH■	65
HQPPH 2-Pole 120/240V AC	100	HQ2100BH■	100
	125	HQ2125BH■	100
	150	HQ2150BH■	100
	175	HQ2175BH■	100
	200	HQ2200BH■	100
	225	HQ2225BH■	100

For inches / millimeters conversion, see Application Data section.
■ Built to order. Allow 2-3 weeks for delivery.

- ① All circuit breakers on this page are common trip.
- ② Reverse handle.
- ③ CSA Listed.
- ④ MBK100A for use in 100 and 125A load centers.
MBK125A for use in 125A load centers.
MBK150A for use in 150, 200 and 225A load centers.
MBK200A for use in 200 and 225A load centers.
MBK225A for use in 225A load centers.
MBK175A for use in 200 and 225A load centers.



- ⑤ QNR required for horizontal applications or vertical applications where the lugs are facing up. The QN breaker is required for vertical applications where the lugs are facing down as shown.

Molded Case Circuit Breakers

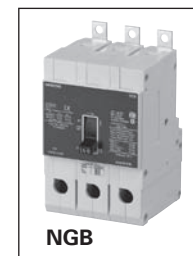
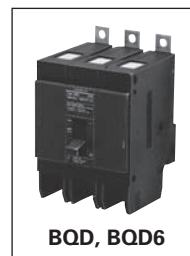
• Revised •
07/20/14

Reference Guide

Selection/Application

Thermal-Magnetic Trip Breakers

Page		Plug-In Breakers							Panelboard Breakers									
		QT	QP, QPP ^②	QPH, QPPH ^②	HQP, HQPP ^②	HQPPH ^②	QPJ ^③	BL	BLH	HBL	BOD, BOD6	NGB	NEB	HEB				
Ratings	Poles	1, 2	1, 2, 3	1, 2, 3	1, 2, 3 ^②	2	2, 3	1,2,3	1,2,3	1,2,3	1,2,3	1,2,3	1,2,3	1,2,3	1,2,3			
	Amperes	15-50	10-125 ^{③④}	10-125 ^{③④}	10-125 ^{③⑤}	100-225	150-200	10-125	15-125	15-100	15-100	15-125	15-125	15-125				
	Volts (50/60 Hz)	1 Pole	120/240	120/240	120/240	120/240	120/240	120/240	120/240	120/240	120/240	277	347	347	347			
		2 Pole	—	—	—	—	—	—	—	—	—	480/277	600/347	600/347	600/347			
		3 Pole	—	240	240	240	240	240	240	240	240	480/277	600/347	600/347	600/347			
	Interrupt Ratings	UL	120V	10,000	10,000	22,000	65,000	—	—	10000	22000	65000	65000	—	—	—		
			240V	10,000	10,000	22,000	65,000	100,000	10,000	10000	22000	65000	65000	100000	85000	100000		
			277V	—	—	—	—	—	—	—	—	—	—	14000	—	—		
			347V	—	—	—	—	—	—	—	—	—	—	10000	—	—		
			480/277V	—	—	—	—	—	—	—	—	—	—	14000	25000	—		
			480V	—	—	—	—	—	—	—	—	—	—	—	—	35000	65000	
		IEC 947-2 50/60 Hz	600/347V	—	—	—	—	—	—	—	—	—	10000	14000	—	—		
			600V	—	—	—	—	—	—	—	—	—	—	—	—	22000	25000	
			220/240V	I _{cu}	—	—	—	—	—	—	—	—	—	—	—	65000	85000	100000
				I _{cs}	—	—	—	—	—	—	—	—	—	—	—	32000	42000	50000
380/415V			I _{cu}	—	—	—	—	—	—	—	—	—	—	—	25000	40000	70000	
			I _{cs}	—	—	—	—	—	—	—	—	—	—	—	12000	20000	35000	
500V	I _{cu}	—	—	—	—	—	—	—	—	—	—	—	—	—	—			
	I _{cs}	—	—	—	—	—	—	—	—	—	—	—	—	—	—			
DC	125/250 V DC Interrupting Rating	2-Pole	—	—	—	—	—	—	—	—	—	14000	14000	35000	42000			
		3-Pole	—	—	—	—	—	—	—	—	—	—	—	35000	42000			
Dimensions in Inches	Height	10-50A	—	2.87	2.87	—	—	—	3.56	3.56	3.75	4.50	5.00	5.50	5.50			
		10-60A	3.12	—	—	—	—	—	—	—	—	—	—	—	—			
		55-125A	—	3.12	3.12	3.12	3.12	3 ^⑥	3.75	3.75	3.75	4.50	5.00	5.50	5.50			
	Width	1-Pole	1.00	1.00	1.00	1.00	—	—	1.00	1.00	1.00	1.00	1.00	1.00	1.00			
		2-Pole	2.00 ^⑦	2.00 ^②	2.00 ^②	2.00	4.00 ^②	⑧	2.00	2.00	2.00	2.00	2.00	2.00	2.00			
3-Pole		2.00 ^③	3.00	3.00	3.00	—	3.00 ^③	3.00	3.00	3.00	3.00	3.00	3.00	3.00				
Depth	—	2.06	2.37	2.37	2.37	2.37	2.34	2.37	2.37	2.37	2.69	2.71	3.00	3.00				
Overcurrent Devices	Thermal and Fixed magnetic Trip	√	√	√	√	√	√	√	√	√	√	√	√	√	√			
	Thermal and Adjustable Magnetic trip	—	—	—	—	—	—	—	—	—	—	—	—	—	—			
	Adjustable Magnetic trip only	—	—	—	—	—	—	—	—	—	—	—	—	—	—			
	Motor Circuit Protector	—	—	—	—	—	—	—	—	—	—	—	—	—	—			
	Molded Case Switch	—	√ ^⑩	—	—	—	—	—	—	—	—	—	—	√	√			
Accessories & Modifications	Undervoltage Trip	—	—	—	—	—	—	—	—	—	—	—	—	√	√			
	Shunt Trip	—	√ ^⑩	√ ^⑩	√ ^⑩	√ ^⑩	—	√	√	√	√	√	√	√	√			
	Auxiliary Switch	—	—	—	—	√ ^⑩	—	√	√	√	√	√	√	√	√			
	Alarm Switch	—	—	—	—	—	—	—	—	—	—	—	—	√	√			
	Mechanical Interlock	—	—	—	—	—	—	—	—	—	—	—	—	√	√			
Fungus Proofing (ref. page 7-91)	—	—	—	—	—	—	—	√	√	√	√	√	√	√				
Individual Enclosures	Type 1 - Indoor Surface	√	√	√	√	√	—	—	—	—	—	—	—	—	—			
	Type 1 - Indoor, Flush	—	√	√	√	√	—	—	—	—	—	—	—	—	—			
	Type 3R - Outdoor-Rainproof	—	√	√	√	√	—	—	—	—	—	—	—	—	—			



For inches / millimeters conversion, see Application Data section.
For Plug-in Breakers, see Load Centers & Circuit Breakers section.

① BOD6 CSA certified 10,000A @ 600Y/347V 15-70A only.
② Types QPP, QPPH, HQPP and HQPPH are special 2-pole configurations for metering equipment. Amperage range = 125-225A, width = 4 in.

③ Single pole breakers available in ratings 10-70A only.
④ 125A, 2-pole 120/240V AC only.
⑤ Not applicable to types QPP and QPPH.
⑥ Single pole circuit breakers available in ratings 15-70A only.

125A available as a 2-pole only.
⑧ Not applicable to type HQPP and HQPPH.
⑨ Fits only Siemens EQIII load centers. Breaker is 2 or 3 poles wide.

Circuit Breakers

Main and Branch Circuit Breakers^①

Selection

Breaker Type	Ampere Rating	Catalog Number	Catalog Number	UL Interrupting Ratings (kA)
QN 2-Pole 120/240V AC	150	QN2150	QN2150R ^②	10
	175	QN2175■	QN2175R ^② ■	10
	200	QN2200	QN2200R ^②	10
QNH 2-Pole 120/240V AC	150	QN2150H	QN2150RH ^②	22
	175	QN2175H■	QN2175RH ^② ■	22
	200	QN2200H	QN2200RH ^②	22
HQN 2-Pole 120/240V AC	150	HQN2150	HQN2150R ^②	65
	175	HQN2175■	—	65
	200	HQN2200	HQN2200R ^②	65

Requires 4 panel spaces, 2 adjacent and 2 opposite. **SHIPPING:** 1 per carton (Wt. 3 lbs.)

Main Breaker Kits

For use in Ultimate Load Centers ^③			For use in EQIII Load Centers			
UL Type	Ampere Rating	Catalog Number	UL Type	Ampere Rating	Catalog Number	UL Interrupting Ratings (kA)
EQ8681	100	MBK100A	EQ9675	100	MBK100	22
EQ8682	125	MBK125A	EQ9677	125	MBK125	22
EQ8693	150	MBK150A	EQ9683	150	MBK150	22
—	—	—	EQ9684	175	MBK175■	22
EQ8695	200	MBK200A	EQ9685	200	MBK200	22
EQ8696	225	MBK225A	EQ9686	225	MBK225	22

Breaker Type	Ampere Rating	Catalog Number	UL Interrupting Ratings (kA)
QPJ ^④ 3-Pole 240V AC	125	QPJ3125	10
	150	QPJ3150	10
	200	QPJ3200	10

Requires 6 spaces due to cross over design. Fits only EQIII 125-400A 3-phase load centers

SHIPPING: 5 per carton (Wt. 17 lbs.)

Breaker Type	Ampere Rating	Catalog Number	UL Interrupting Breaker Ratings (kA) Volts AC 120/240
QPP 2-Pole 120/240V AC	125	Q2125B	10
	150	Q2150B	10
	175	Q2175B■	10
	200	Q2200B	10
	225	Q2225B	10
QPPH 2-Pole 120/240V AC	125	Q2125BH	22
	150	Q2150BH	22
	175	Q2175BH■	22
	200	Q2200BH	22
	225	Q2225BH■	22
HQPP 2-Pole 120/240V AC	125	Q2125BHH■	65
	150	Q2150BHH	65
	175	Q2175BHH■	65
	200	Q2200BHH	65
	225	Q2225BHH■	65
HQPPH 2-Pole 120/240V AC	100	HQ2100BH■	100
	125	HQ2125BH■	100
	150	HQ2150BH■	100
	175	HQ2175BH■	100
	200	HQ2200BH■	100
225	HQ2225BH■	100	

For inches / millimeters conversion, see Application Data section.

■ Built to order. Allow 2-3 weeks for delivery.

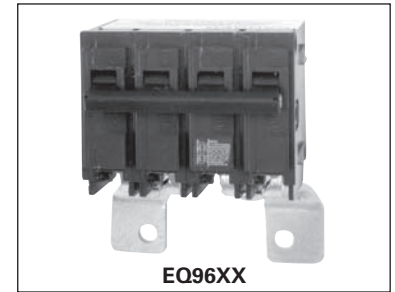
- ① All circuit breakers on this page are common trip.
- ② Reverse handle.
- ③ CSA Listed.
- ④ MBK100A for use in 100 and 125A load centers.
MBK125A for use in 125A load centers.
MBK150A for use in 150, 200 and 225A load centers.
MBK200A for use in 200 and 225A load centers.
MBK225A for use in 225A load centers.
MBK175A for use in 200 and 225A load centers.

- ⑤ QNR required for horizontal applications or vertical applications where the lugs are facing up. The QN breaker is required for vertical applications where the lugs are facing down as shown.



QNR^⑤

QN^⑤

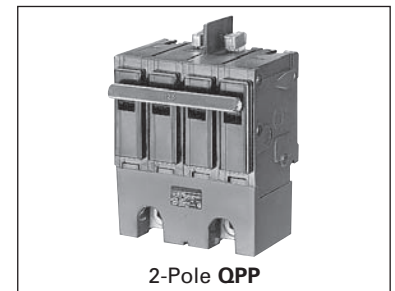


EQ96XX



MBK
(100,125)A

MBK
(150,200,225)A



2-Pole QPP

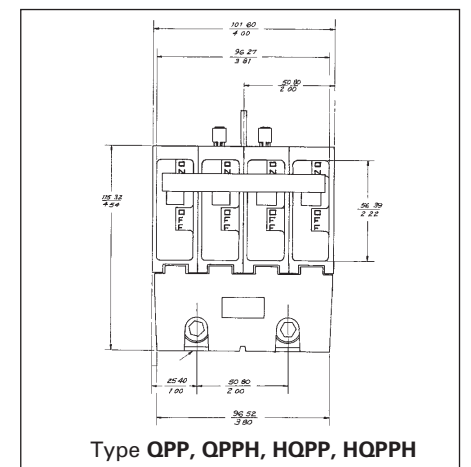
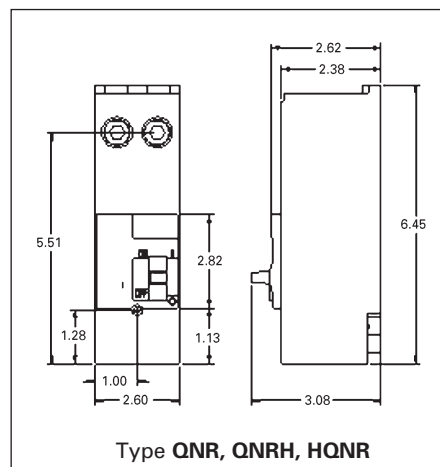
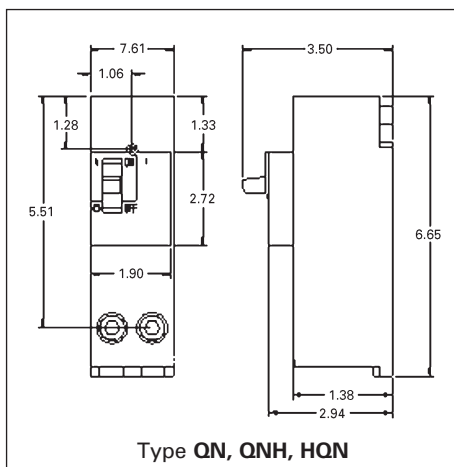
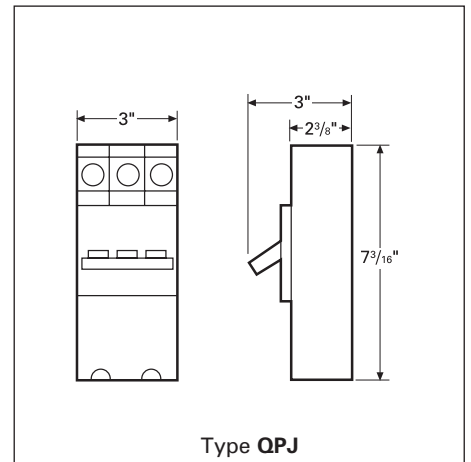
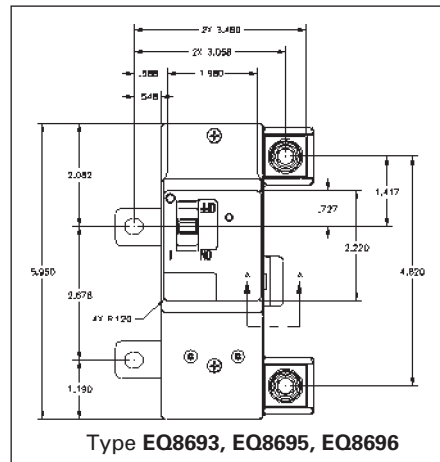
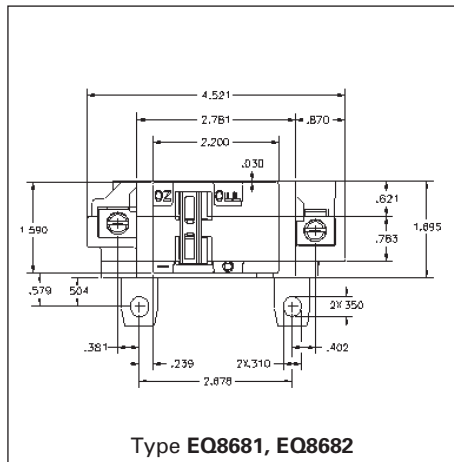
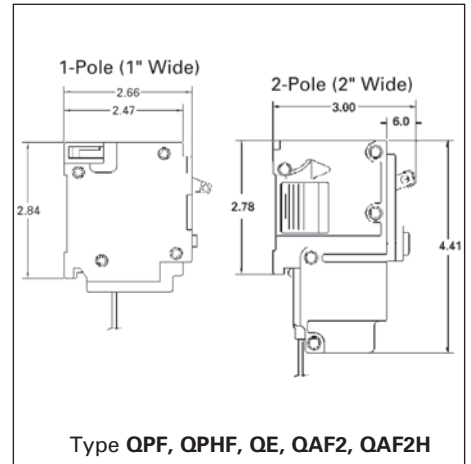
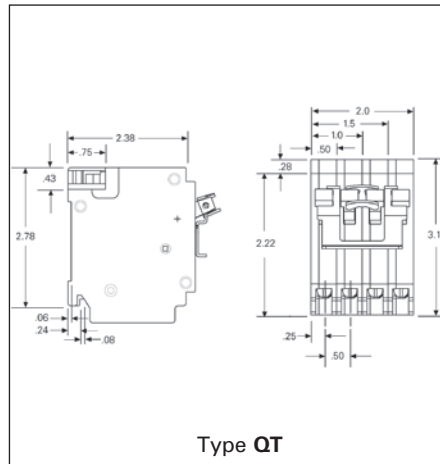
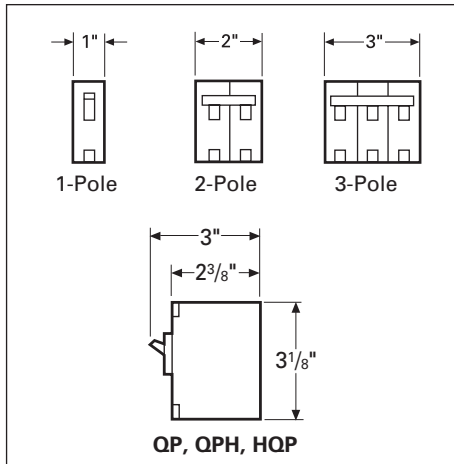


QPJ

Circuit Breakers

Line Diagrams

Dimension Drawings



Ⓞ All standard circuit breakers are calibrated to 40°C maximum ambient application.

Circuit Breakers

• Revised •
06/13/14

Lug Data

Reference

Circuit Breaker Type	Circuit Breaker Ampere Rating	Cables Per Connector	Connector Wire Range
	LOAD SIDE		
QP, QPH, HQP, Plug-in	10	2	#14-#16 AWG Cu
	15-35	1	#14-#6 AWG Cu
		1	#14-#6 AWG Al
	40-50	1	#8-#6 AWG Cu
1		#8-#4 AWG Al	
55-125	1	#8-#2/0 AWG Cu	
	1	#8-#2/0 AWG Al	
QT	15-35	1	#14-#6 AWG Cu
		1	#14-#6 AWG Al
	40	1	#8 AWG CU-AL
40-50	1	#8-#6 AWG Cu	
	1	#8-#4 AWG Al	
QPF, QPHF	15-30	1	#14-#10 AWG Cu
		1	#12-#8 AWG Al
40-60	1	#8-#6 AWG Cu	
	1	#8-#4 AWG Al	
QAF2, QAFH2, QFGA2, QFGAH2	15-20	1	#14-#12 AWG Cu
		1	#12-#10 AWG Al
QD	15-20	2	#14-#8 AWG Cu Only
	15-20	1	#14-#12 AWG Cu
		1	#12-#10 AWG Al
	25-35	1	#10-#8 AWG Cu
1		#10-#6 AWG Al	
40-60	1	#8-#6 AWG Cu	
	1	#8-#4 AWG Al	
QN, QNH, HQN	150-200	1	#1-300kcmil Cu-Al
QS, QSH, QSHH, HQS, HQSH	100-225	1	#3-300kcmil Cu-Al
EQ8681-Ultimate	100	1	#4-3/0 AWG Cu-Al
EQ8682-Ultimate	125	1	#4-3/0 AWG Cu-Al
EQ8693-Ultimate	150	1	#1-300kcmil Cu-Al
EQ8695-Ultimate	200	1	#1-300kcmil Cu-Al
EQ8696-Ultimate	225	1	#1-300kcmil Cu-Al
QPP, QPPH, HQPP, HQPPH	125	1	#1 AWG Cu
		1	#2/0 AWG Al
	150	1	#1/0 AWG Cu
		1	#3/0 AWG Al
	175	1	#2/0 AWG Cu
1		#4/0 AWG Al	
200	1	#3/0 AWG Cu	
	1	250kcmil AWG Al	
225	1	#4/0 AWG Cu	
	1	300kcmil AWG Al	
EQ9675-EQIII	100	1	#8-#2/0 AWG Cu
		1	#8-#2/0 AWG Al
EQ9677-EQIII	125	1	#8-#2/0 AWG Cu
		1	#8-#2/0 AWG Al
EQ9683-EQIII	150	1	#1/0 AWG Cu
		1	#3/0 AWG Al
EQ9684	175	1	#3/0 AWG Cu
		1	250kcmil AWG AL
EQ9685-EQIII	200	1	#3/0 AWG Cu
		1	250kcmil AWG Al
EQ9686-EQIII	225	1	#4/0 AWG Cu
		1	300kcmil AWG Al
QPJ	125-200	1	#2-300kcmil Cu-Al

7
MOLDED CASE
CIRCUIT BREAKERS