

# Circuit Breakers

## Type QP with INSTA-WIRE

Continuous Current Rating @ 40° C	Type QP <sup>①</sup>	Type QPH	Type HQP
	10,000A IR	22,000A IR	65,000A IR
	Catalog Number	Catalog Number	Catalog Number

### 1-Pole Plug-In (120V AC)<sup>⑤</sup>

Rating	Type QP <sup>①</sup>	Type QPH	Type HQP
10	Q110 <sup>②</sup>	—	—
15	Q115 <sup>③</sup>	Q115H <sup>③</sup>	Q115HH <sup>③</sup>
20	Q120 <sup>③</sup>	Q120H <sup>③</sup>	Q120HH <sup>③</sup>
25	Q125	Q125H	Q125HH
30	Q130	Q130H	Q130HH
35	Q135	Q135H	Q135HH
40	Q140	Q140H	Q140HH
45	Q145	Q145H	Q145HH
50	Q150	Q150H	Q150HH
60	Q160	Q160H	Q160HH
70	Q170	Q170H	Q170HH



### 2-Pole Plug-In (Common-Trip 120/240V AC)<sup>⑥</sup>

Rating	Type QP <sup>①</sup>	Type QPH	Type HQP
10	Q210 <sup>②</sup>	—	—
15	Q215	Q215H	Q215HH
20	Q220	Q220H	Q220HH
25	Q225	Q225H	Q225HH
30	Q230	Q230H	Q230HH
35	Q235	Q235H	Q235HH
40	Q240	Q240H	Q240HH
45	Q245	Q245H	Q245HH
50	Q250	Q250H	Q250HH
60	Q260	Q260H	Q260HH
70	Q270	Q270H	Q270HH
80	Q280	Q280H	Q280HH
90	Q290	Q290H	Q290HH
100	Q2100	Q2100H	Q2100HH
110	Q2110	Q2110H	Q2110HH
125	Q2125	Q2125H	Q2125HH



### 2-Pole Plug-In (Common-Trip 240V AC)<sup>④⑥</sup>

Rating	Type QP <sup>①</sup>	Type QPH	Type HQP
15	Q215R	—	—
20	Q220R	—	—
30	Q230R	—	—
40	Q240R	—	—
50	Q250R	—	—
60	Q260R	—	—
70	Q270R	—	—
100	Q2100R	—	—

### 3-Pole Plug-In (Common-Trip 240V AC)<sup>⑦</sup>

Rating	Type QP <sup>①</sup>	Type QPH	Type HQP
15	Q315	Q315H	Q315HH
20	Q320	Q320H	Q320HH
25	Q325	Q325H	Q325HH
30	Q330	Q330H	Q330HH
35	Q335	Q335H	Q335HH
40	Q340	Q340H	Q340HH
45	Q345	Q345H	Q345HH
50	Q350	Q350H	Q350HH
60	Q360	Q360H	Q360HH
70	Q370	Q370H	Q370HH
80	Q380	Q380H	Q380HH
90	Q390	Q390H	Q390HH
100	Q3100	Q3100H	Q3100HH



## QP / QPH / HQP Internal Accessories

Control Voltage AC	Catalog Number	Field/Factory Installed
120V Shunt Trip	add suffix ...00S01	Factory
24V Shunt Trip	add suffix ...00S07	Factory
120V Auxiliary Switch	add suffix ...01	Factory

## Modifications

Description	Catalog Number
400 Hz Calibration	add suffix ...Y
Marine 50°C Ambient Calibration	add suffix ...M
Fungus Proofing	add suffix ...F

For external accessories please refer to page 1-42.

■ Built to order. Allow 2-3 weeks for delivery.

① UL Listed for use with 60/75° wire through 40 amps, UL listed for use with 75° wire only for 50 amps and above, HACR rated.

② 1A and 1B contacts.

③ UL Listed for frequent switching applications (SWD). 120V AC Fluorescent Lighting.

④ UL Listed for use on 3-phase grounded "B" systems — 10,000 for this application.

⑤ Shipped 12 per sleeve.

⑥ Shipped 6 per sleeve.

⑦ Shipped 4 per sleeve.

⑧ UL Listed 5 KA IR.

⑨ Type QP1, UL listed for 16 AWG conductors and multiple wires.

# Molded Case Circuit Breakers

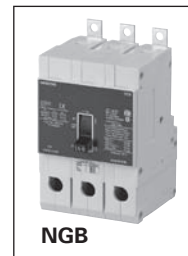
• Revised •  
07/20/14

## Reference Guide

## Selection/Application

### Thermal-Magnetic Trip Breakers

Page		Plug-In Breakers							Panelboard Breakers								
		QT	QP, QPP <sup>2</sup>	QPH, QPPH <sup>2</sup>	HQP, HQPP <sup>2</sup>	HQPPH <sup>2</sup>	QPJ <sup>2</sup>	BL	BLH	HBL	BOD, BOD6	NGB	NEB	HEB			
Ratings	Poles	1, 2	1, 2, 3	1, 2, 3	1, 2, 3 <sup>2</sup>	2	2, 3	1,2,3	1,2,3	1,2,3	1,2,3	1,2,3	1,2,3	1,2,3	1,2,3		
	Amperes	15-50	10-125 <sup>3</sup>	10-125 <sup>3</sup>	10-125 <sup>3</sup>	100-225	150-200	10-125	15-125	15-100	15-100	15-125	15-125	15-125	15-125		
	Volts (50/60 Hz)	1 Pole	120/240	120/240	120/240	120/240	120/240	120/240	120/240	120/240	120/240	277	347	347	347		
		2 Pole	—	—	—	—	—	—	—	—	—	480/277	600/347	600/347	600/347		
		3 Pole	—	240	240	240	240	240	240	240	240	480/277	600/347	600/347	600/347		
	Interrupt Ratings	UL	120V	10,000	10,000	22,000	65,000	—	—	10000	22000	65000	65000	—	—	—	
			240V	10,000	10,000	22,000	65,000	100,000	10,000	10000	22000	65000	65000	100000	85000	100000	
			277V	—	—	—	—	—	—	—	—	—	—	14000	—	—	
			347V	—	—	—	—	—	—	—	—	—	—	10000	—	—	
			480/277V	—	—	—	—	—	—	—	—	—	—	14000	25000	—	
			480V	—	—	—	—	—	—	—	—	—	—	—	—	35000	65000
		IEC 947-2 50/60 Hz	600/347V	—	—	—	—	—	—	—	—	—	10000	14000	—	—	
			600V	—	—	—	—	—	—	—	—	—	—	—	—	22000	25000
			220/240V	I <sub>cu</sub>	—	—	—	—	—	—	—	—	—	—	65000	85000	100000
				I <sub>cs</sub>	—	—	—	—	—	—	—	—	—	—	32000	42000	50000
380/415V			I <sub>cu</sub>	—	—	—	—	—	—	—	—	—	—	25000	40000	70000	
			I <sub>cs</sub>	—	—	—	—	—	—	—	—	—	—	12000	20000	35000	
500V	I <sub>cu</sub>	—	—	—	—	—	—	—	—	—	—	—	—	—			
	I <sub>cs</sub>	—	—	—	—	—	—	—	—	—	—	—	—	—			
DC	125/250 V DC Interrupting Rating	2-Pole	—	—	—	—	—	—	—	—	14000	14000	35000	42000			
		3-Pole	—	—	—	—	—	—	—	—	—	—	35000	42000			
Dimensions in Inches	Height	10-50A	—	2.87	2.87	—	—	—	3.56	3.56	3.75	4.50	5.00	5.50	5.50		
		10-60A	3.12	—	—	—	—	—	—	—	—	—	—	—	—		
		55-125A	—	3.12	3.12	3.12	3.12	3 <sup>2</sup>	3.75	3.75	3.75	4.50	5.00	5.50	5.50		
	Width	1-Pole	1.00	1.00	1.00	1.00	—	—	1.00	1.00	1.00	1.00	1.00	1.00	1.00		
		2-Pole	2.00 <sup>1</sup>	2.00 <sup>2</sup>	2.00 <sup>2</sup>	2.00	4.00 <sup>2</sup>	2 <sup>1</sup>	2.00	2.00	2.00	2.00	2.00	2.00	2.00		
3-Pole		2.00 <sup>3</sup>	3.00	3.00	3.00	—	3.00 <sup>3</sup>	3.00	3.00	3.00	3.00	3.00	3.00	3.00			
Depth	—	2.06	2.37	2.37	2.37	2.37	2.34	2.37	2.37	2.37	2.69	2.71	3.00	3.00			
Overcurrent Devices	Thermal and Fixed magnetic Trip	✓	✓	✓	✓	✓	✓	✓	✓	✓	✓	✓	✓	✓	✓		
	Thermal and Adjustable Magnetic trip	—	—	—	—	—	—	—	—	—	—	—	—	—	—		
	Adjustable Magnetic trip only	—	—	—	—	—	—	—	—	—	—	—	—	—	—		
	Motor Circuit Protector	—	—	—	—	—	—	—	—	—	—	—	—	—	—		
	Molded Case Switch	—	✓ <sup>4</sup>	—	—	—	—	—	—	—	—	—	—	✓	✓		
Accessories & Modifications	Undervoltage Trip	—	—	—	—	—	—	—	—	—	—	—	—	✓	✓		
	Shunt Trip	—	✓ <sup>5</sup>	✓ <sup>6</sup>	✓ <sup>6</sup>	✓ <sup>6</sup>	✓ <sup>6</sup>	—	✓	✓	✓	✓	✓	✓	✓		
	Auxiliary Switch	—	—	—	—	—	✓ <sup>6</sup>	—	✓	✓	✓	✓	✓	✓	✓		
	Alarm Switch	—	—	—	—	—	—	—	—	—	—	—	—	✓	✓		
	Mechanical Interlock	—	—	—	—	—	—	—	—	—	—	—	—	✓	✓		
Fungus Proofing (ref. page 7-91)	—	—	—	—	—	—	—	✓	✓	✓	✓	✓	✓	✓			
Individual Enclosures	Type 1 - Indoor Surface	✓	✓	✓	✓	✓	—	—	—	—	—	—	—	—	—		
	Type 1 - Indoor, Flush	—	✓	✓	✓	✓	—	—	—	—	—	—	—	—	—		
	Type 3R - Outdoor-Rainproof	—	✓	✓	✓	✓	—	—	—	—	—	—	—	—	—		



For inches / millimeters conversion, see Application Data section.  
For Plug-in Breakers, see Load Centers & Circuit Breakers section.

① BOD6 CSA certified 10,000A @ 600Y/347V 15-70A only.  
② Types QPP, QPPH, HQPP and HQPPH are special 2-pole configurations for metering equipment. Amperage range = 125-225A, width = 4 in.

③ Single pole breakers available in ratings 10-70A only.  
④ 125A, 2-pole 120/240V AC only.  
⑤ Not applicable to types QPP and QPPH.  
⑥ Single pole circuit breakers available in ratings 15-70A only.

125A available as a 2-pole only.  
⑦ Not applicable to type HQPP and HQPPH.  
⑧ Fits only Siemens EQIII load centers. Breaker is 2 or 3 poles wide.

# Circuit Breakers

## Type QP with INSTA-WIRE

*Selection*

Continuous Current Rating @ 40° C	Type QP <sup>①</sup>	Type QPH	Type HQP
	10,000A IR	22,000A IR	65,000A IR
	Catalog Number	Catalog Number	Catalog Number

### 1-Pole Plug-In (120V AC)<sup>⑤</sup>

Rating	Type QP <sup>①</sup>	Type QPH	Type HQP
10	Q110 <sup>⑥</sup>	—	—
15	Q115 <sup>⑥</sup>	Q115H <sup>⑥</sup>	Q115HH <sup>⑥</sup>
20	Q120 <sup>⑥</sup>	Q120H <sup>⑥</sup>	Q120HH <sup>⑥</sup>
25	Q125	Q125H	Q125HH
30	Q130	Q130H	Q130HH
35	Q135	Q135H	Q135HH
40	Q140	Q140H	Q140HH
45	Q145	Q145H	Q145HH
50	Q150	Q150H	Q150HH
60	Q160	Q160H	Q160HH
70	Q170	Q170H	Q170HH



### 2-Pole Plug-In (Common-Trip 120/240V AC)<sup>⑥</sup>

Rating	Type QP <sup>①</sup>	Type QPH	Type HQP
10	Q210 <sup>⑥</sup>	—	—
15	Q215	Q215H	Q215HH
20	Q220	Q220H	Q220HH
25	Q225	Q225H	Q225HH
30	Q230	Q230H	Q230HH
35	Q235	Q235H	Q235HH
40	Q240	Q240H	Q240HH
45	Q245	Q245H	Q245HH
50	Q250	Q250H	Q250HH
60	Q260	Q260H	Q260HH
70	Q270	Q270H	Q270HH
80	Q280	Q280H	Q280HH
90	Q290	Q290H	Q290HH
100	Q2100	Q2100H	Q2100HH
110	Q2110	Q2110H	Q2110HH
125	Q2125	Q2125H	Q2125HH



### 2-Pole Plug-In (Common-Trip 240V AC)<sup>④⑥</sup>

Rating	Type QP <sup>①</sup>	Type QPH	Type HQP
15	Q215R	—	—
20	Q220R	—	—
30	Q230R	—	—
40	Q240R	—	—
50	Q250R	—	—
60	Q260R	—	—
70	Q270R	—	—
100	Q2100R	—	—



### 3-Pole Plug-In (Common-Trip 240V AC)<sup>⑦</sup>

Rating	Type QP <sup>①</sup>	Type QPH	Type HQP
15	Q315	Q315H	Q315HH
20	Q320	Q320H	Q320HH
25	Q325	Q325H	Q325HH
30	Q330	Q330H	Q330HH
35	Q335	Q335H	Q335HH
40	Q340	Q340H	Q340HH
45	Q345	Q345H	Q345HH
50	Q350	Q350H	Q350HH
60	Q360	Q360H	Q360HH
70	Q370	Q370H	Q370HH
80	Q380	Q380H	Q380HH
90	Q390	Q390H	Q390HH
100	Q3100	Q3100H	Q3100HH

### QP / QPH / HQP Internal Accessories

Control Voltage AC	Catalog Number	Field/Factory Installed
120V Shunt Trip	add suffix ...00S01	Factory
24V Shunt Trip	add suffix ...00S07	Factory
120V Auxiliary Switch	add suffix ...01	Factory

### Modifications

Description	Catalog Number
400 Hz Calibration	add suffix ...Y
Marine 50°C Ambient Calibration	add suffix ...M
Fungus Proofing	add suffix ...F

For external accessories, please refer to page 7-93

■ Built to order. Allow 2-3 weeks for delivery.

① UL Listed for use with 60/75° wire through 40 amps, UL listed for use with 75° wire only for 50 amps and above, HACR rated.  
② 1A and 1B contacts.

③ UL Listed for frequent switching applications (SWD). 120V AC Fluorescent Lighting.

④ UL Listed for use on 3-phase grounded "B" systems — 10,000 for this application.  
⑤ Shipped 12 per sleeve.

⑥ Shipped 6 per sleeve.

⑦ Shipped 4 per sleeve.

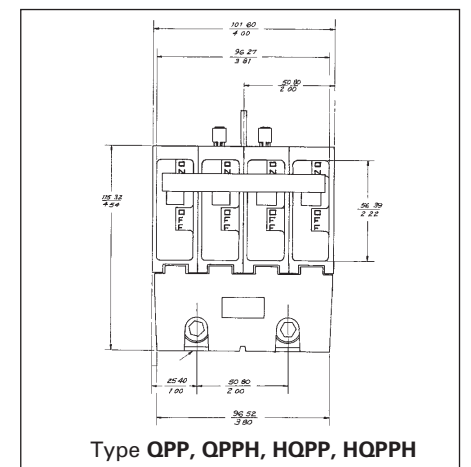
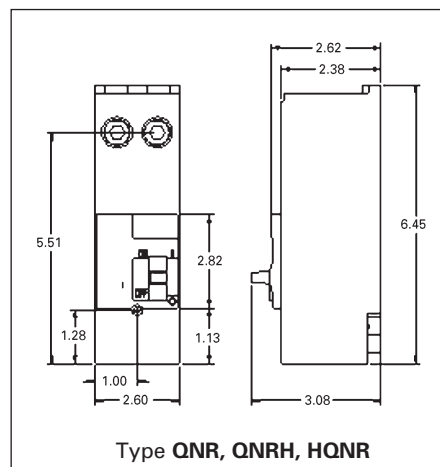
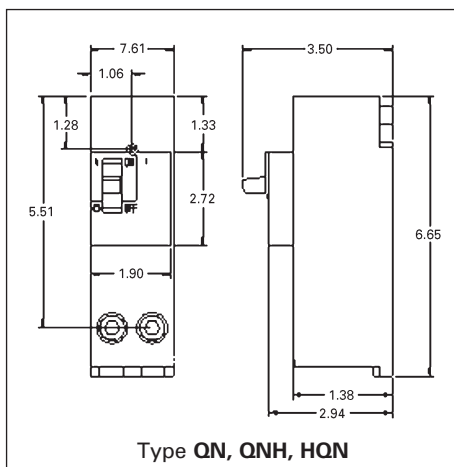
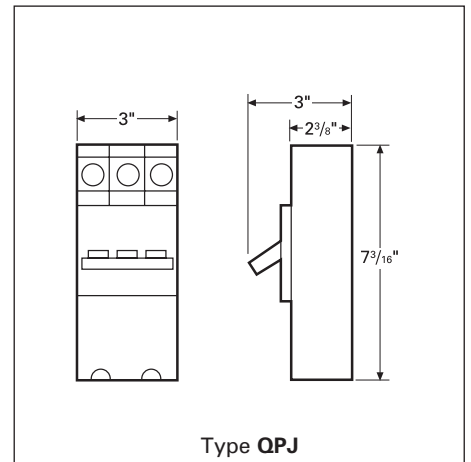
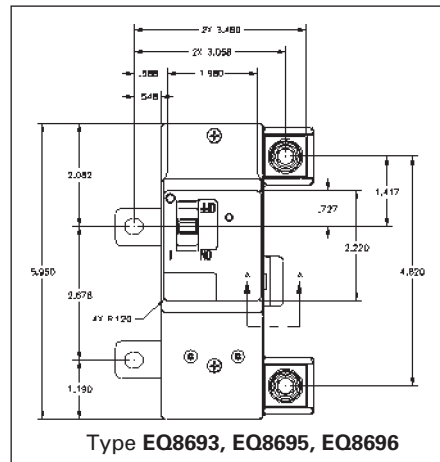
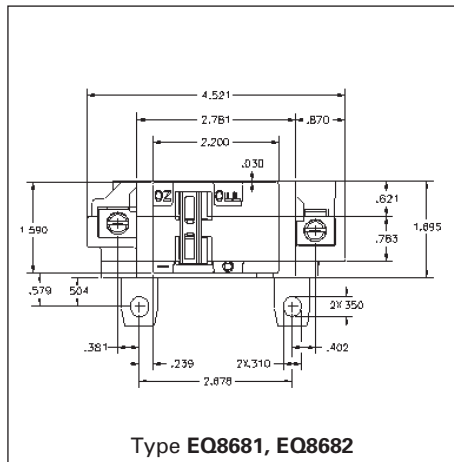
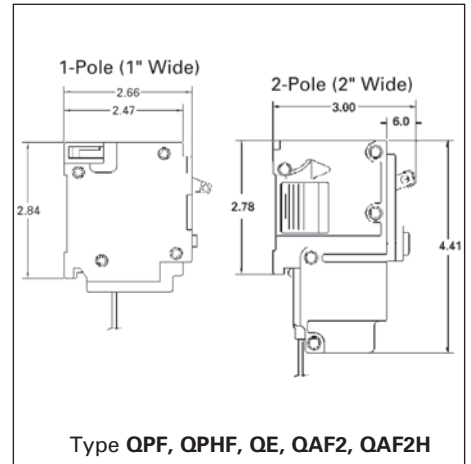
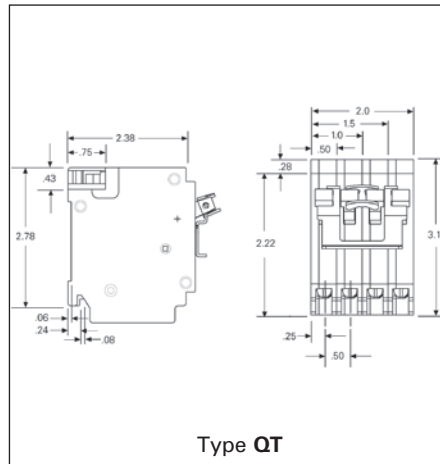
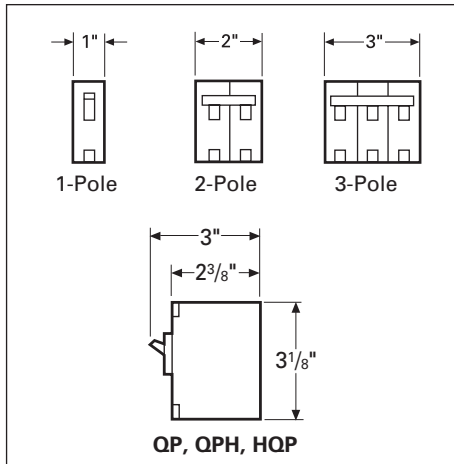
⑧ UL Listed 5 KA IR.

⑨ Type QP1, UL listed for 16 AWG conductors and multiple wires.

# Circuit Breakers

## Line Diagrams

## Dimension Drawings



Ⓞ All standard circuit breakers are calibrated to 40°C maximum ambient application.

# Circuit Breakers

• Revised •  
06/13/14

## Lug Data

*Reference*

Circuit Breaker Type	Circuit Breaker Ampere Rating	Cables Per Connector	Connector Wire Range
	LOAD SIDE		
QP, QPH, HQP, Plug-in	10	2	#14-#16 AWG Cu
	15-35	1	#14-#6 AWG Cu
		1	#14-#6 AWG Al
	40-50	1	#8-#6 AWG Cu
1		#8-#4 AWG Al	
55-125	1	#8-#2/0 AWG Cu	
	1	#8-#2/0 AWG Al	
QT	15-35	1	#14-#6 AWG Cu
		1	#14-#6 AWG Al
	40	1	#8 AWG CU-AL
40-50	1	#8-#6 AWG Cu	
	1	#8-#4 AWG Al	
QPF, QPHF	15-30	1	#14-#10 AWG Cu
		1	#12-#8 AWG Al
40-60	1	#8-#6 AWG Cu	
	1	#8-#4 AWG Al	
QAF2, QAFH2, QFGA2, QFGAH2	15-20	1	#14-#12 AWG Cu
		1	#12-#10 AWG Al
QD	15-20	2	#14-#8 AWG Cu Only
	15-20	1	#14-#12 AWG Cu
		1	#12-#10 AWG Al
	25-35	1	#10-#8 AWG Cu
1		#10-#6 AWG Al	
40-60	1	#8-#6 AWG Cu	
	1	#8-#4 AWG Al	
QN, QNH, HQN	150-200	1	#1-300kcmil Cu-Al
QS, QSH, QSHH, HQS, HQSH	100-225	1	#3-300kcmil Cu-Al
EQ8681-Ultimate	100	1	#4-3/0 AWG Cu-Al
EQ8682-Ultimate	125	1	#4-3/0 AWG Cu-Al
EQ8693-Ultimate	150	1	#1-300kcmil Cu-Al
EQ8695-Ultimate	200	1	#1-300kcmil Cu-Al
EQ8696-Ultimate	225	1	#1-300kcmil Cu-Al
QPP, QPPH, HQPP, HQPPH	125	1	#1 AWG Cu
		1	#2/0 AWG Al
	150	1	#1/0 AWG Cu
		1	#3/0 AWG Al
	175	1	#2/0 AWG Cu
1		#4/0 AWG Al	
200	1	#3/0 AWG Cu	
	1	250kcmil AWG Al	
225	1	#4/0 AWG Cu	
	1	300kcmil AWG Al	
EQ9675-EQIII	100	1	#8-#2/0 AWG Cu
		1	#8-#2/0 AWG Al
EQ9677-EQIII	125	1	#8-#2/0 AWG Cu
		1	#8-#2/0 AWG Al
EQ9683-EQIII	150	1	#1/0 AWG Cu
		1	#3/0 AWG Al
EQ9684	175	1	#3/0 AWG Cu
		1	250kcmil AWG AL
EQ9685-EQIII	200	1	#3/0 AWG Cu
		1	250kcmil AWG Al
EQ9686-EQIII	225	1	#4/0 AWG Cu
		1	300kcmil AWG Al
QPJ	125-200	1	#2-300kcmil Cu-Al

7  
MOLDED CASE  
CIRCUIT BREAKERS