

CATALOG NUMBER

ECHR100

electricCenter
ACCESSORIES

1" HR Hub

Same As:

- HR100 ■ HR100U
- HR100M ■ EHR100



INSTALLATION INSTRUCTIONS



⚠ DANGER

Hazardous Voltage.
Will cause death,
serious injury or substantial
property damage.

Turn off power supplying this
equipment before working inside.

⚠ SAFETY INSTRUCTIONS

Note: This instruction outlines the recommended installation procedure.

1. Turn off and lock off the power supplying the load center before working inside.
2. Obtain gasket from cover plate bag and place on enclosure head along with hub. Gasket is not required if all holes are extruded up.
3. If "X" dimension in Fig. 1 is 3 9/16" use two (2) of the four (4) screws furnished with hub in the back mounting positions. Use the two (2) screws furnished in poly bag with enclosure in the front mounting positions to attach hub to head. If "X" is less than 3 9/16" use the four (4) screws furnished with hub to attach hub to head. Short screws not required on side-hinged door.
4. Tighten screws to 20-25 lb.-in.

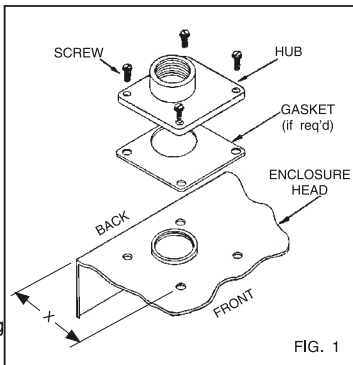


FIG. 1

4810435 Rev.A

Siemens Energy & Automation, Inc. Alpharetta, Georgia U.S.A. Assembled In Mexico