

CATALOG NUMBER

# ECCP3U

**electricCenter**  
ACCESSORIES

## 4-Pole Filler Plate with 2-Pole Breaker Opening

Same As:

■ CP3U    ■ LX200FP



### INSTALLATION INSTRUCTIONS



#### **⚠ DANGER**

**Hazardous Voltage.**  
Will cause death, serious injury  
or substantial property damage.

Turn off power supplying this  
equipment before working inside.

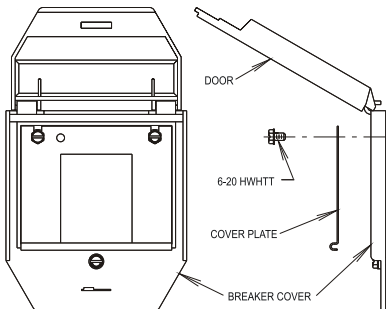
#### CATALOG NUMBER ECCP3U

(4 pole closure plate, 125A breaker opening) For use on all 200 Amp outdoor unified metering devices when a 2 pole 125 Amps. Max. breaker is installed and local inspection or the utility company deems it necessary to close unused breaker openings.



#### **SAFETY INSTRUCTIONS**

**Note:** This instruction outlines the recommended installation procedure.



1. Open breaker cover by depressing stainless steel cover latch while lifting cover up.
2. Loosen top two (2) cover mounting screws to allow closure plate to slide under screw head.
3. Snap opposite end of closure plate down over edge of breaker cover.
4. Press down firmly to insure closure plate is seated fully.
5. Re-tighten the two (2) screws loosened in step 2.
6. Open and close the breaker cover to insure correct installation.