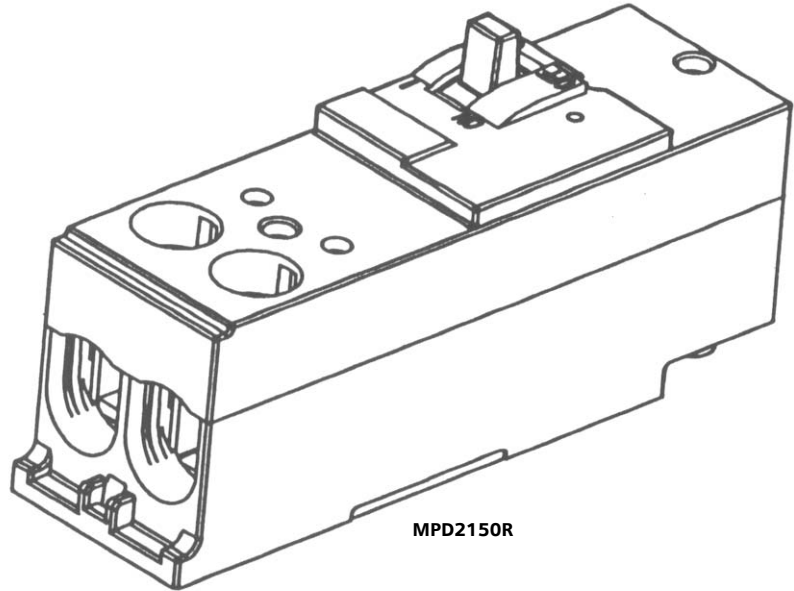


MD-TR, MD-HTR, MD-MTR Circuit Breakers

FEATURES

- Plug-on branch circuit breaker for Murray single phase load centers
- UL Listed
- Require 4 panel spaces, 2 adjacent and 2 opposite
- Available with interrupting rating of 10kA, 22kA or 65kA
- 120/240V AC
- Wire range #4 – 300 kcmil Cu/Al
- Shunt trip available, use ST suffix for ordering
- Padlocking device available, use catalog number BX050N



Catalog Number	Amps	Interrupting Rating	UL Type
MPD2150R	150	10kA	MD-TR
MPD2175R	175	10kA	MD-TR
MPD2200R	200	10kA	MD-TR
MPD2150RH	150	22kA	MD-HTR
MPD2175RH	175	22kA	MD-HTR
MPD2200RH	200	22kA	MD-HTR
MPD2150RM	150	65kA	MD-MTR
MPD2175RM	175	65kA	MD-MTR
MPD2200RM	200	65kA	MD-MTR

fastfax

MURRAY

MD-TR, MD-HTR, MD-MTR Circuit Breakers

MD-TR, MD-HTR, MD-MTR Series Ratings 120/240V 2 Breaker Series								
Branch Breaker			Main Breaker or Fuse			Interrupting Rating		
UL Type	Amps	Poles	UL Type	Amps	Poles	RMS Symm Amps	Volts	Phase
MP-T	15-70	1	MD-HTR	150-200	2	22,000	120/240	1
MP-T	15-125	2	MD-HTR	150-200	2	22,000	120/240	1
MH-T	15-50	1, 2	MD-HTR	150-200	2	22,000	120/240	1
MP-AT	15-20	1	MD-HTR	150-200	2	22,000	120	1
MP-AT	15-20	1	MD-HTR	150-200	2	22,000	120	1
MP-GT	15-30	1	MD-HTR	150-200	2	22,000	120	1
MP-GT	15-60	2	MD-HTR	150-200	2	22,000	120/240	1
MP-ET	15-30	1	MD-HTR	150-200	2	22,000	120	1
MP-ET	15-60	2	MD-HTR	150-200	2	22,000	120/240	1
MP-T	15-70	1	MD-MTR	150-200	2	65,000	120/240	1
MP-T	15-125	2	MD-MTR	150-200	2	65,000	120/240	1
MH-T	15-50	1, 2	MD-MTR	150-200	2	65,000	120/240	1
MP-AT	15-20	1	MD-MTR	150-200	2	65,000	120	1
MP-AT	15-20	1	MD-MTR	150-200	2	65,000	120	1
MP-GT	15-30	1	MD-MTR	150-200	2	65,000	120	1
MP-GT	15-60	2	MD-MTR	150-200	2	65,000	120/240	1
MP-ET	15-30	1	MD-MTR	150-200	2	65,000	120	1
MP-ET	15-60	2	MD-MTR	150-200	2	65,000	120/240	1
MP-HT	15-70	1	MD-MTR	150-200	2	65,000	120/240	1
MP-HT	15-125	2	MD-MTR	150-200	2	65,000	120/240	1
MP-HAT	15-20	1	MD-MTR	150-200	2	65,000	120	1
MP-HAT	15-20	1	MD-MTR	150-200	2	65,000	120	1
MP-HGT	15-30	1	MD-MTR	150-200	2	65,000	120	1
MP-HGT	15-60	2	MD-MTR	150-200	2	65,000	120/240	1
MP-HET	15-30	1	MD-MTR	150-200	2	65,000	120	1
MP-HET	15-60	2	MD-MTR	150-200	2	65,000	120/240	1
M1	100-125	2	MD-MTR	150-200	2	65,000	120/240	1
M2	150-200	2	MD-MTR	150-200	2	65,000	120/240	1
MD-TR	150-200	2	JXD2-A	200-400	3	65,000	120/240	1
MD-HTR	150-200	2	JXD2-A	200-400	3	65,000	120/240	1
MD-TR	150-200	2	JD6-A,JXD6-A	200-400	2, 3	65,000	120/240	1
MD-HTR	150-200	2	JD6-A,JXD6-A	200-400	2, 3	65,000	120/240	1
MD-TR	150-200	2	JD6,JXD6	200-400	2, 3	65,000	120/240	1
MD-HTR	150-200	2	JD6,JXD6	200-400	2, 3	65,000	120/240	1
MD-TR	150-200	2	LD6-A	200-600	2, 3	65,000	120/240	1
MD-HTR	150-200	2	LD6-A	200-600	2, 3	65,000	120/240	1
MD-TR	150-200	2	LXD6-A	450-600	2, 3	65,000	120/240	1
MD-HTR	150-200	2	LXD6-A	450-600	2, 3	65,000	120/240	1
MD-TR	150-200	2	LXD6	200-600	2, 3	65,000	120/240	1
MD-HTR	150-200	2	LXD6	200-600	2, 3	65,000	120/240	1
MD-TR	150-200	2	MD6,MXD6	500-800	2, 3	65,000	120/240	1
MD-HTR	150-200	2	MD6,MXD6	500-800	2, 3	65,000	120/240	1
MD-TR	150-200	2	ND6,NXD6	500-1200	2, 3	65,000	120/240	1
MD-HTR	150-200	2	ND6,NXD6	500-1200	2, 3	65,000	120/240	1
MD-TR	150-200	2	PD6,PXD6	1200-1600	2, 3	65,000	120/240	1
MD-HTR	150-200	2	PD6,PXD6	1200-1600	2, 3	65,000	120/240	1
MD-TR	150-200	2	RD6,RXD6	1600-2000	2, 3	65,000	120/240	1
MD-HTR	150-200	2	RD6,RXD6	1600-2000	2, 3	65,000	120/240	1
MD-TR	150-200	2	J,R	150-600	2, 3	65,000	120/240	1
MD-HTR	150-200	2	J,R	150-600	2, 3	65,000	120/240	1
MD-TR	150-200	2	T	150-1200	2, 3	65,000	120/240	1
MD-HTR	150-200	2	T	150-1200	2, 3	65,000	120/240	1
MD-TR	150-200	2	L	601-6000	2, 3	65,000	120/240	1
MD-HTR	150-200	2	L	601-6000	2, 3	65,000	120/240	1
MD-TR	150-200	2	T (300V)	150-200	2, 3	100,000	120/240	1
MD-HTR	150-200	2	T (300V)	150-200	2, 3	100,000	120/240	1

For 120/240V 3 and 4 Breaker Series information please contact your local sales representative.
NOTE: Series ratings are only valid if rating is marked on load center.

MD-TR, MD-HTR, MD-MTR Circuit Breakers

