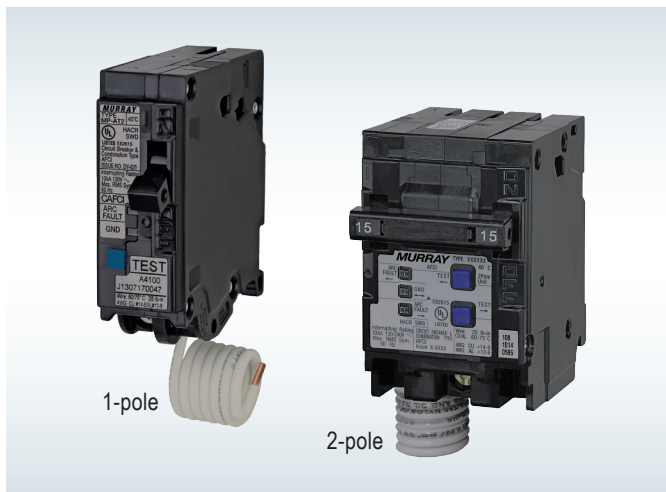


1 & 2 Pole Combination Type Arc-Fault Circuit Interrupters

Plug-in and Bolt-on

Data Sheet



Features

- Available in 1 & 2 Pole, 15A & 20A
- New and improved electronics
- 1/4" more wiring bend space than our previous design
- Both lugs at the same angle - for easier wiring
- Plug-in branch circuit breakers for Murray single phase load centers.
- Bolt-on branch circuit breakers for Siemens panelboards
- LED trip indicators
- Available with interrupting rating of 10kA, 22kA or 65kA
- UL Listed
- Ratings:
 - HACR
 - SWD
- 120 Volts AC
- Wire range:
 - #14 – #8 AWG Cu
 - #12 – #8 AWG Al
- Torque rating: 25 lb. in.

1-Pole Plug-in Arc-Fault Circuit Interrupters

Catalog number	Ampere rating	Interrupting rating	UL type
MPA115AFC	15	10kA	MP-AT2
MPA120AFC	20	10kA	
MPA115AFCH	15	22kA	MP-HAT2
MPA120AFCH	20	22kA	
MPA115AFCHH	15	65kA	MP-MAT2
MPA120AFCHH	20	65kA	

1-Pole Bolt-on Arc-Fault Circuit Interrupters

Catalog number	Ampere rating	Interrupting rating	UL type
BA115AFC	15	10kA	BAF2
BA120AFC	20	10kA	
BA115AFCH	15	22kA	BAF2H
BA120AFCH	20	22kA	
BA115AFCHH	15	65kA	HBAF2
BA120AFCHH	20	65kA	

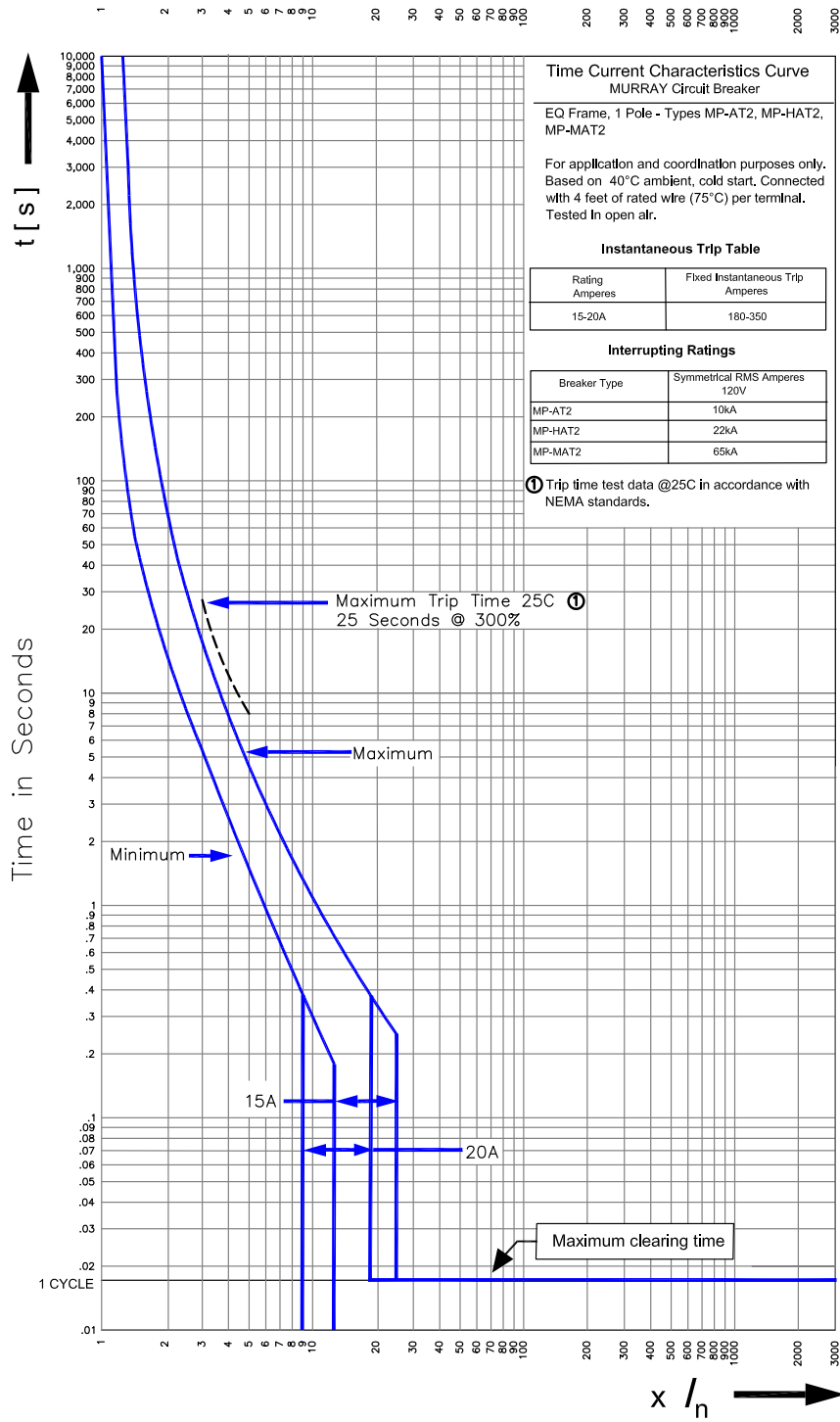
2-Pole Plug-in Arc-Fault Circuit Interrupters

Catalog number	Ampere rating	Interrupting rating	UL type
MP215AFC	15	10kA	MP-AT
MP220AFC	20	10kA	
MP215AFCH	15	22kA	MP-HAT
MP220AFCH	20	22kA	

2-Pole Bolt-on Arc-Fault Circuit Interrupters

Catalog number	Ampere rating	Interrupting rating	UL type
B215AFC	15	10kA	BAF
B220AFC	20	10kA	
B215AFCH	15	22kA	BAFH
B220AFCH	20	22kA	

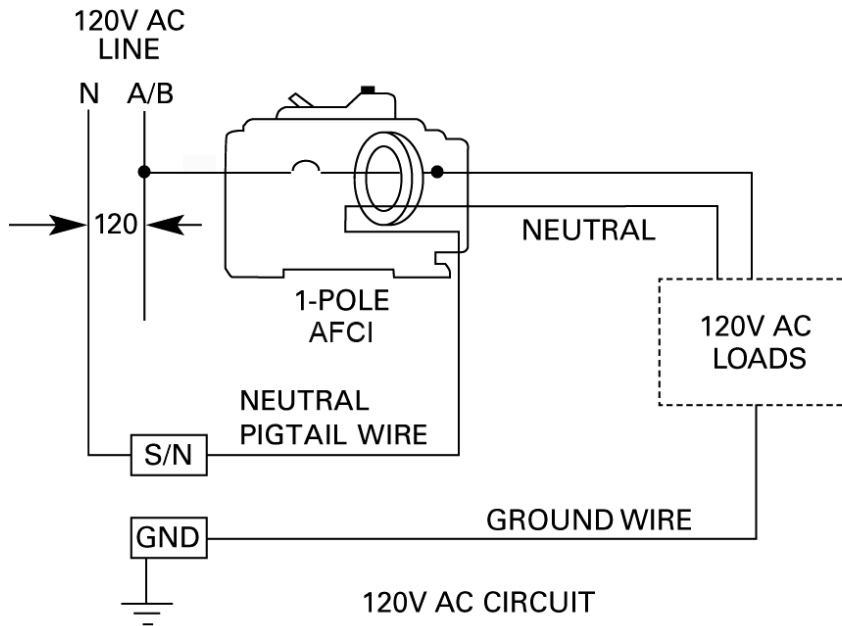
Time Current Characteristic Curves



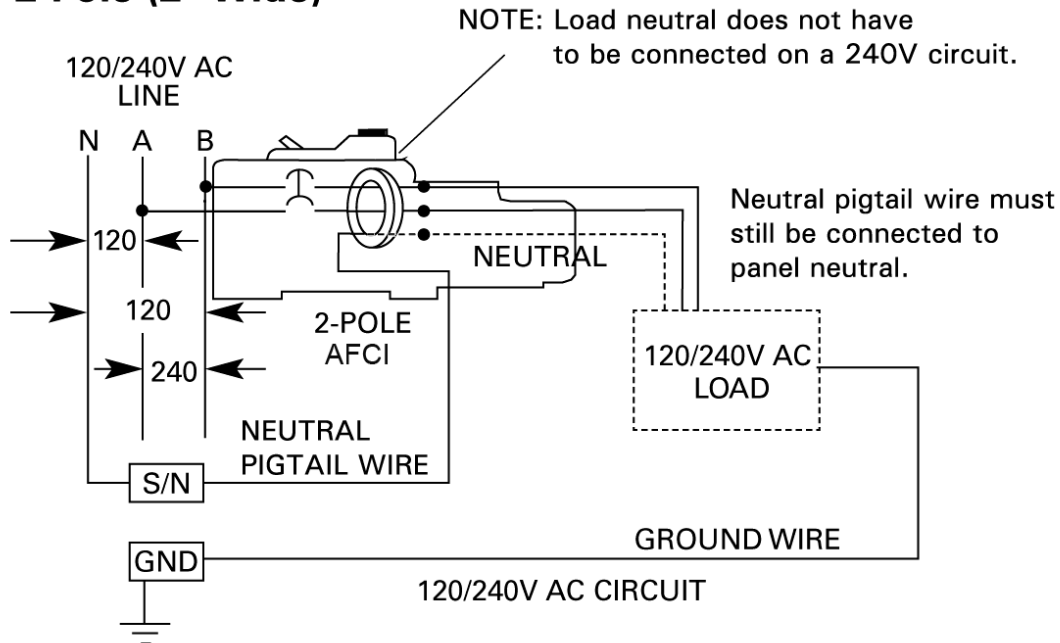
Multiples of Continuous Current Rating

Wiring diagram

1-Pole (1" Wide)

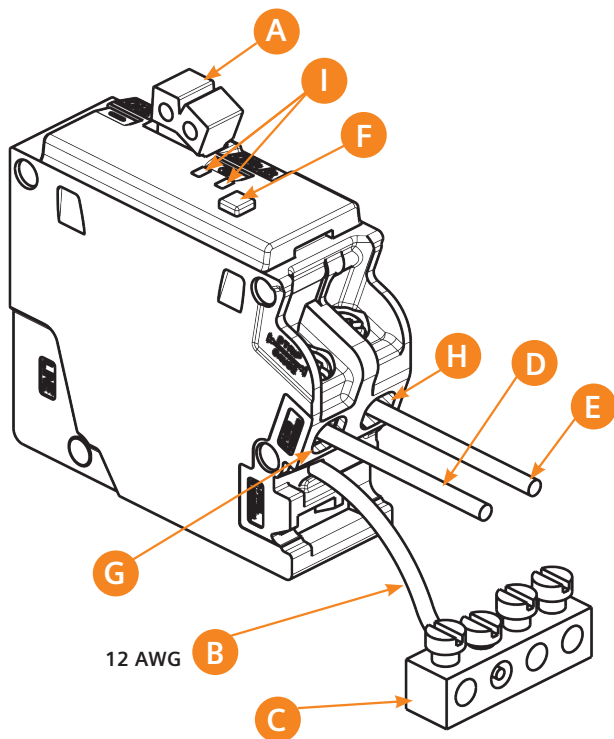


2-Pole (2" Wide)

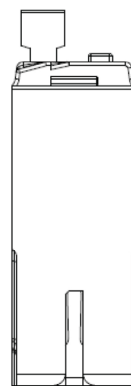
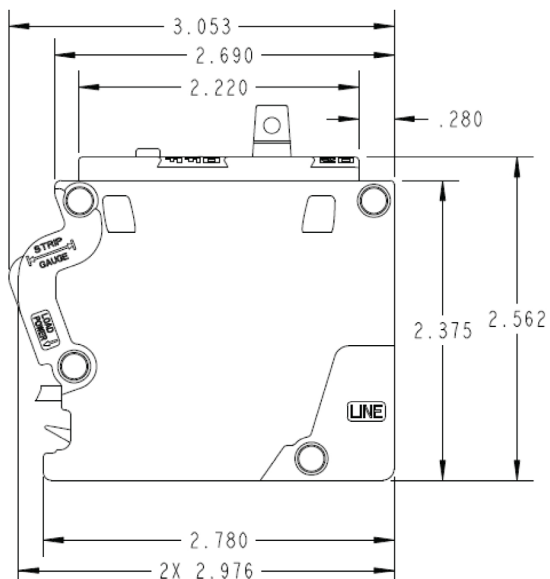
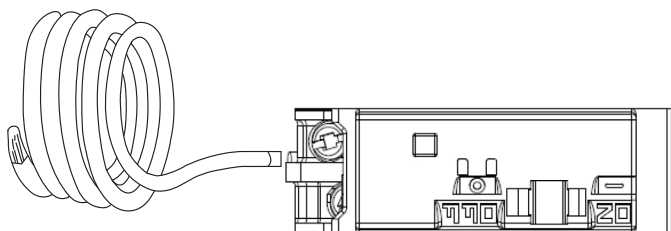


Dimensions

1-Pole

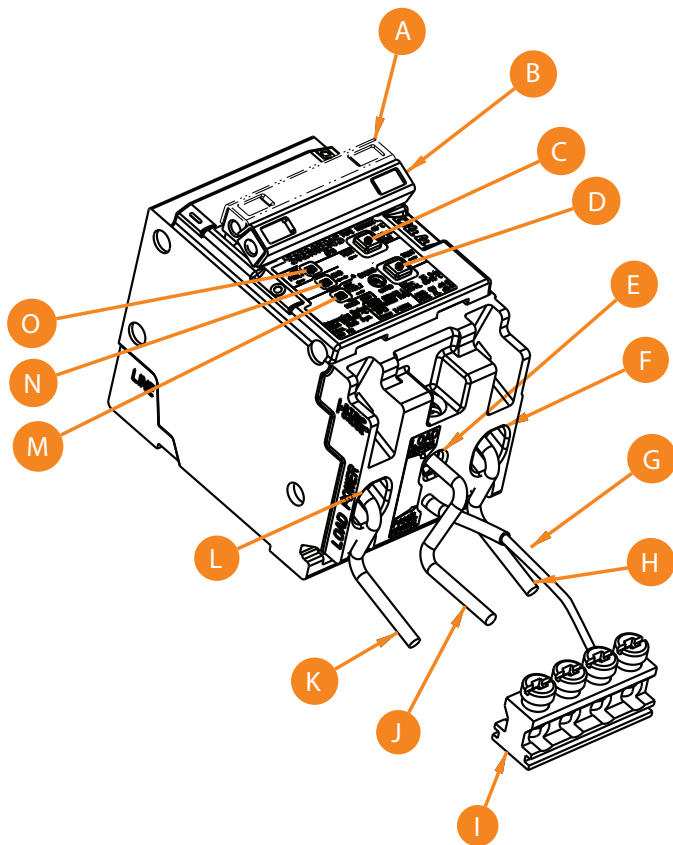


A	Breaker handle
B	Neutral (pig-tail) wire
C	Panel neutral
D	Load neutral wire
E	Load power wire
F	Blue test button
G	Neutral terminal
H	Load terminal
I	2 yellow LEDs



Dimensions

2-Pole



A	Handle tripped center position
B	Breaker handle
C	Blue test button
D	Blue test button
E	Neutral terminal
F	Load terminal
G	Neutral (pig tail) wire
H	Load power wire
I	Panel neutral
J	Load neutral wire
K	Load power wire
L	Load terminal
M	LED trip indicator
N	LED trip indicator
O	LED trip indicator

