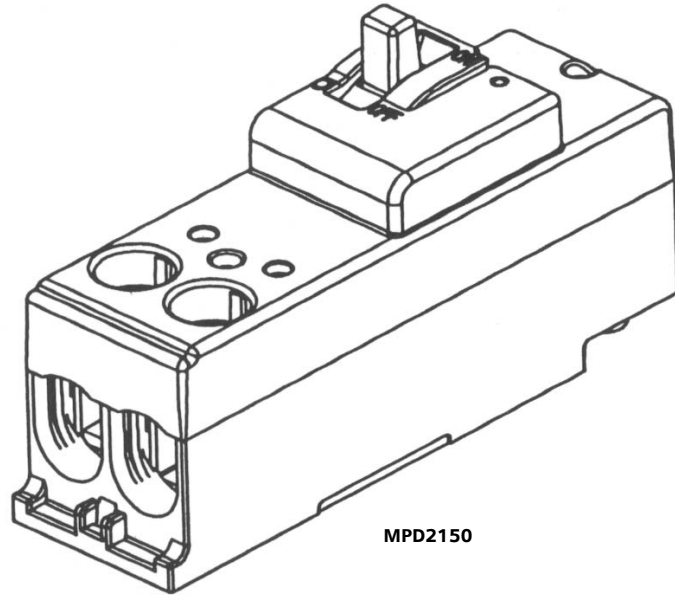


# MD-T, MD-HT, MD-MT Circuit Breakers

## FEATURES

- Plug-on circuit breaker for Murray circuit breaker enclosures and metering
- UL Listed
- Require 4 panel spaces, 2 adjacent and 2 opposite
- Available with interrupting rating of 10kA, 22kA or 65kA
- 120/240V AC
- Wire range #4 – 300 kcmil Cu/Al
- Shunt trip available, use ST suffix for ordering
- Padlocking device available, use catalog number BX050N



Catalog Number	Amps	Interrupting Rating	UL Type
MPD2150	150	10kA	MD-T
MPD2175	175	10kA	MD-T
MPD2200	200	10kA	MD-T
MPD2150KH	150	22kA	MD-HT
MPD2175KH	175	22kA	MD-HT
MPD2200KH	200	22kA	MD-HT
MPD2150KM	150	65kA	MD-MT
MPD2175KM	175	65kA	MD-MT
MPD2200KM	200	65kA	MD-MT

*fastfax*

**MURRAY**

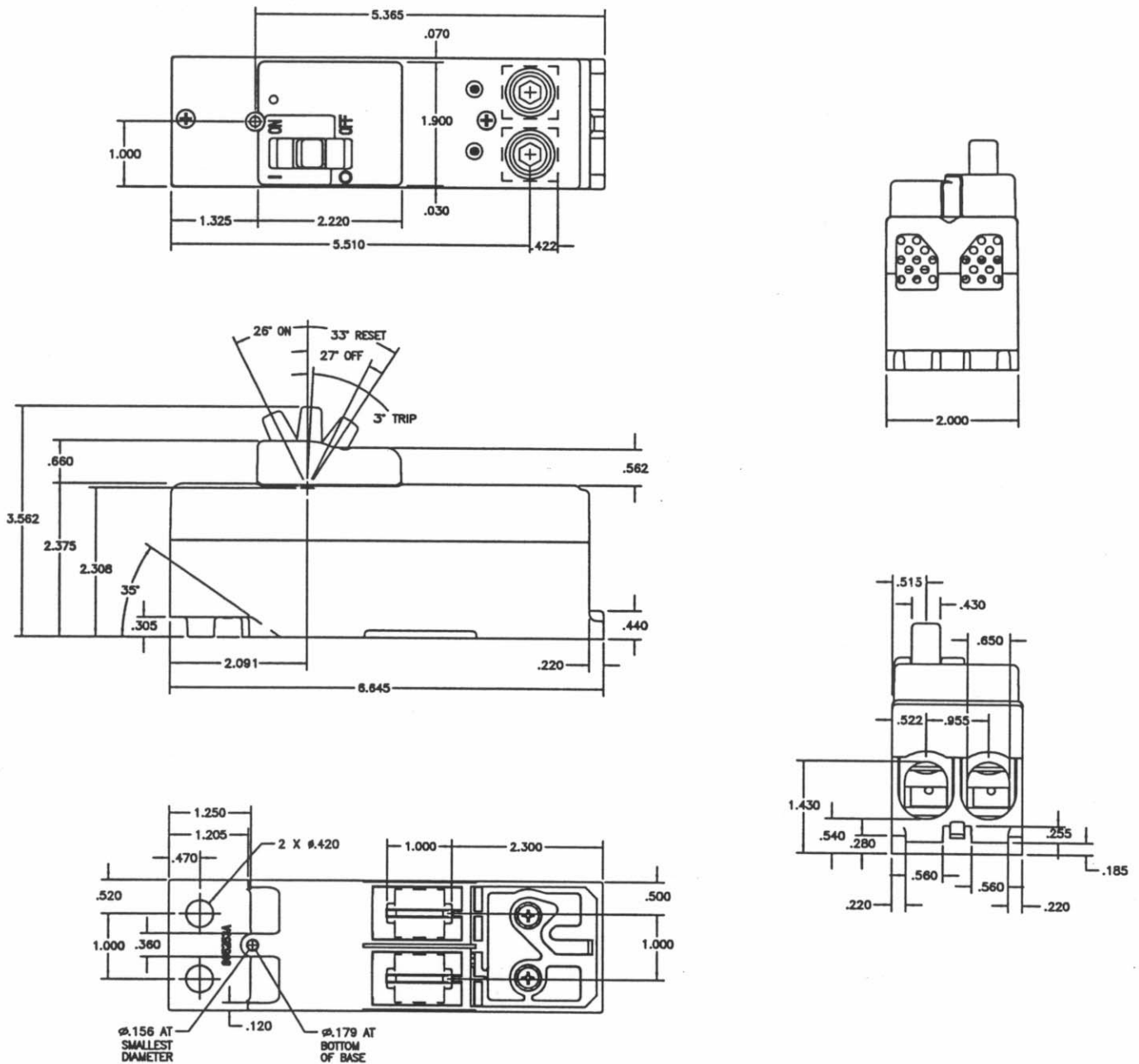
# MD-T, MD-HT, MD-MT Circuit Breakers

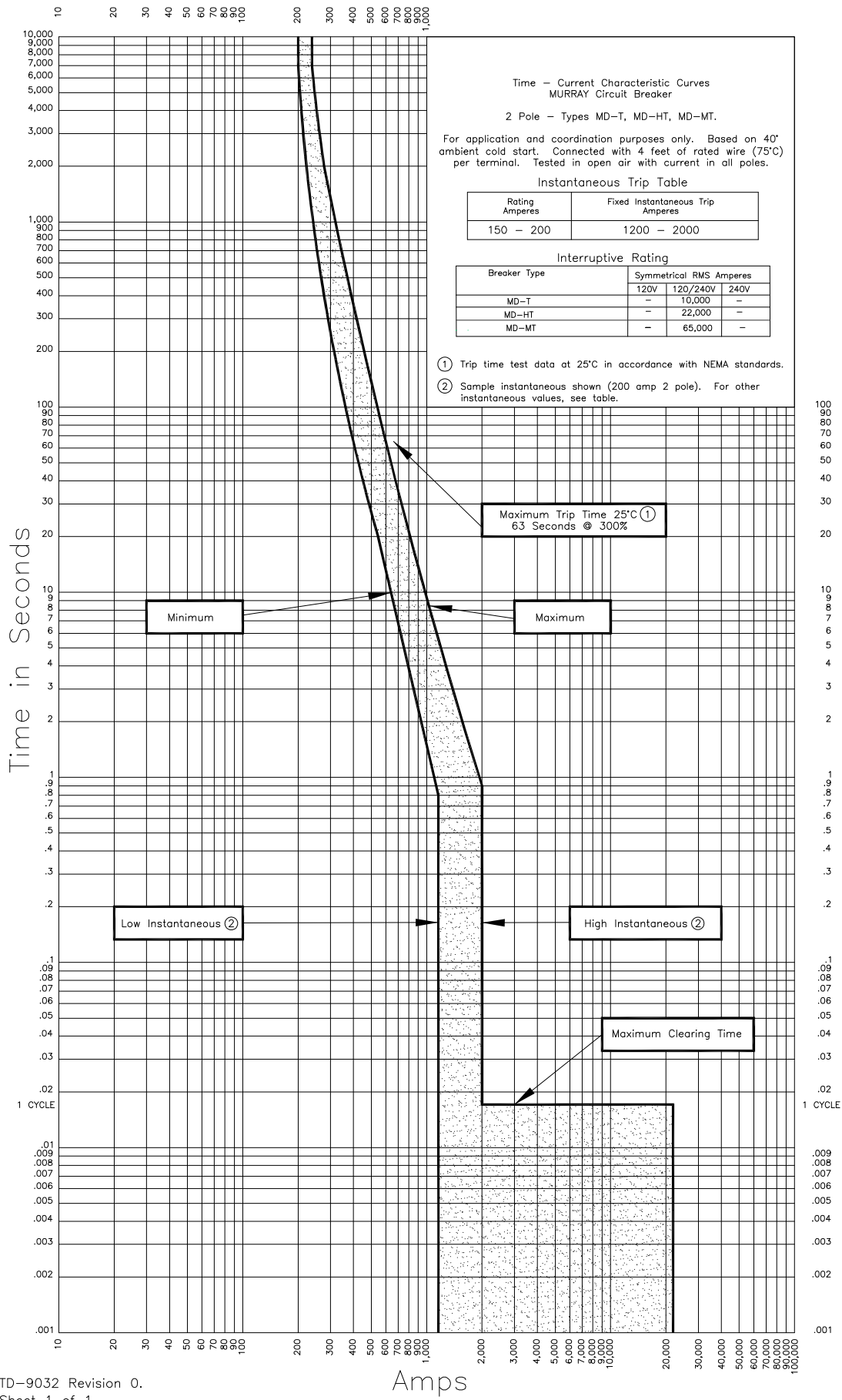
MD-T, MD-HT, MD-MT Series Ratings								
120/240V 2 Breaker Series								
Branch Breaker			Main Breaker or Fuse			Interrupting Rating		
UL Type	Amps	Poles	UL Type	Amps	Poles	RMS Symm Amps	Volts	Phase
MP-T	15-70	1	MD-HT	150-200	2	22,000	120/240	1
MP-T	15-125	2	MD-HT	150-200	2	22,000	120/240	1
MH-T	15-50	1, 2	MD-HT	150-200	2	22,000	120/240	1
MP-AT	15-20	1	MD-HT	150-200	2	22,000	120	1
MP-AT	15-20	1	MD-HT	150-200	2	22,000	120	1
MP-GT	15-30	1	MD-HT	150-200	2	22,000	120	1
MP-GT	15-60	2	MD-HT	150-200	2	22,000	120/240	1
MP-ET	15-30	1	MD-HT	150-200	2	22,000	120	1
MP-ET	15-60	2	MD-HT	150-200	2	22,000	120/240	1
MP-T	15-70	1	MD-MT	150-200	2	65,000	120/240	1
MP-T	15-125	2	MD-MT	150-200	2	65,000	120/240	1
MH-T	15-50	1, 2	MD-MT	150-200	2	65,000	120/240	1
MP-AT	15-20	1	MD-MT	150-200	2	65,000	120	1
MP-AT	15-20	1	MD-MT	150-200	2	65,000	120	1
MP-GT	15-30	1	MD-MT	150-200	2	65,000	120	1
MP-GT	15-60	2	MD-MT	150-200	2	65,000	120/240	1
MP-ET	15-30	1	MD-MT	150-200	2	65,000	120	1
MP-ET	15-60	2	MD-MT	150-200	2	65,000	120/240	1
MP-HT	15-70	1	MD-MT	150-200	2	65,000	120/240	1
MP-HT	15-125	2	MD-MT	150-200	2	65,000	120/240	1
MP-HAT	15-20	1	MD-MT	150-200	2	65,000	120	1
MP-HAT	15-20	1	MD-MT	150-200	2	65,000	120	1
MP-HGT	15-30	1	MD-MT	150-200	2	65,000	120	1
MP-HGT	15-60	2	MD-MT	150-200	2	65,000	120/240	1
MP-HET	15-30	1	MD-MT	150-200	2	65,000	120	1
MP-HET	15-60	2	MD-MT	150-200	2	65,000	120/240	1
M1	100-125	2	MD-MT	150-200	2	65,000	120/240	1
M2	150-200	2	MD-MT	150-200	2	65,000	120/240	1
MD-T	150-200	2	JXD2-A	200-400	3	65,000	120/240	1
MD-HT	150-200	2	JXD2-A	200-400	3	65,000	120/240	1
MD-T	150-200	2	JD6-A,JXD6-A	200-400	2, 3	65,000	120/240	1
MD-HT	150-200	2	JD6-A,JXD6-A	200-400	2, 3	65,000	120/240	1
MD-T	150-200	2	JD6,JXD6	200-400	2, 3	65,000	120/240	1
MD-HT	150-200	2	JD6,JXD6	200-400	2, 3	65,000	120/240	1
MD-T	150-200	2	LD6-A	200-600	2, 3	65,000	120/240	1
MD-HT	150-200	2	LD6-A	200-600	2, 3	65,000	120/240	1
MD-T	150-200	2	LXD6-A	450-600	2, 3	65,000	120/240	1
MD-HT	150-200	2	LXD6-A	450-600	2, 3	65,000	120/240	1
MD-T	150-200	2	LXD6	200-600	2, 3	65,000	120/240	1
MD-HT	150-200	2	LXD6	200-600	2, 3	65,000	120/240	1
MD-T	150-200	2	MD6,MXD6	500-800	2, 3	65,000	120/240	1
MD-HT	150-200	2	MD6,MXD6	500-800	2, 3	65,000	120/240	1
MD-T	150-200	2	ND6,NXD6	500-1200	2, 3	65,000	120/240	1
MD-HT	150-200	2	ND6,NXD6	500-1200	2, 3	65,000	120/240	1
MD-T	150-200	2	PD6,PXD6	1200-1600	2, 3	65,000	120/240	1
MD-HT	150-200	2	PD6,PXD6	1200-1600	2, 3	65,000	120/240	1
MD-T	150-200	2	RD6,RXD6	1600-2000	2, 3	65,000	120/240	1
MD-HT	150-200	2	RD6,RXD6	1600-2000	2, 3	65,000	120/240	1
MD-T	150-200	2	J,R	150-600	2, 3	65,000	120/240	1
MD-HT	150-200	2	J,R	150-600	2, 3	65,000	120/240	1
MD-T	150-200	2	T	150-1200	2, 3	65,000	120/240	1
MD-HT	150-200	2	T	150-1200	2, 3	65,000	120/240	1
MD-T	150-200	2	L	601-6000	2, 3	65,000	120/240	1
MD-HT	150-200	2	L	601-6000	2, 3	65,000	120/240	1
MD-T	150-200	2	T (300V)	150-200	2, 3	100,000	120/240	1
MD-HT	150-200	2	T (300V)	150-200	2, 3	100,000	120/240	1

For 120/240V 3 and 4 Breaker Series information please contact your local sales representative.

NOTE: Series ratings are only valid if rating is marked on load center.

# MD-T, MD-HT, MD-MT Circuit Breakers





Time - Current Characteristic Curves  
MURRAY Circuit Breaker  
2 Pole - Types MD-T, MD-HT, MD-MT.

For application and coordination purposes only. Based on 40' ambient cold start. Connected with 4 feet of rated wire (75°C) per terminal. Tested in open air with current in all poles.

Instantaneous Trip Table

Rating Amperes	Fixed Instantaneous Trip Amperes
150 - 200	1200 - 2000

Interruptive Rating

Breaker Type	Symmetrical RMS Amperes		
	120V	120/240V	240V
MD-T	-	10,000	-
MD-HT	-	22,000	-
MD-MT	-	65,000	-

- ① Trip time test data at 25°C in accordance with NEMA standards.
- ② Sample instantaneous shown (200 amp 2 pole). For other instantaneous values, see table.

Time in Seconds

Amps