

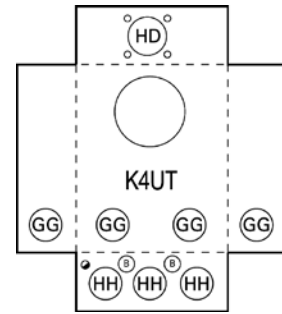
TYPE K4UT 400/480A BOLT-IN METER MOUNTING EQUIPMENT

Common Features

- 400A and 480A continuous duty models available
- Heavy duty construction using 1/2" plated bolts
- Rake-type bypass available
- Factory installed lugs or 1/2" stud connection
- Steel or aluminum construction
- Polycarbonate safety shield available
- UL listed for top and bottom feed
- Plated copper current path



9810-8507



KNOCKOUTS (inches):

- : 1/4
- B: 1/2, 3/4
- GG: 2-1/2, 3, 3-1/2
- HH: 2-1/2, 3, 3-1/2, 4
- HD: Ø4.281 HUB OP

Consult the factory for other available options such as, but not limited to alternate hasp material, aluminum enclosures and special labeling.

Cont. Amp Rating	Service	Terminal Connector			Dimensions (inches)			Hub Opening	Catalog Number	Enclosure Material	Bypass ^⑦	Type
		Line	Load	Neutral	W	H	D					
400	OH/UG	(2) #6-350 kcmil (56427)	(2) #6-350 kcmil (56425)	(4) #6-350 kcmil (56426)	17.8	36.0	6.0	HD Cl. Plate	9810-8502 ④	Steel	H56495	K4UT
400	OH/UG	1/2"-20 Stud	1/2"-20 Stud	1/2"-20 Stud	17.8	36.0	6.0	HD Cl. Plate	9810-8507 ④	Steel	H56495	K4UT
400	OH/UG	1/2"-20 Stud	1/2"-20 Stud	1/2"-20 Stud	17.8	36.0	6.0	HD Cl. Plate	9810-8521 ⑤⑥	Steel	H56495	K4UT
400	OH/UG	1/2"-20 Stud	1/2"-20 Stud	(2) 1/2"-20 Stud	17.8	36.0	6.0	HD Cl. Plate	9810-8523 ②④	Steel	H56495	K4UT
400	OH/UG	1/2"-20 Stud	1/2"-20 Stud	1/2"-20 Stud	17.8	36.0	6.0	HD Cl. Plate	9810-8526 ①⑤	Steel	H56495	K4UT
400	OH/UG	(2) #2-500 kcmil (56427-M)	(2) #2-500 kcmil (56425-M)	(2) #2-500 kcmil (56490)	17.8	36.0	6.0	HD Cl. Plate	9810-8527 ②④⑤	Steel	H56495	K4UT
400	OH/UG	1/2"-20 Stud	1/2"-20 Stud	(2) 1/2"-20 Stud	17.8	36.0	6.0	HD Cl. Plate	9810-8528 ①②③	Steel	H56495	K4UT
400	OH/UG	(2) #2-500 kcmil (56427-M)	(2) #2-500 kcmil (56425-M)	(2) #2-500 kcmil (56490)	17.8	36.0	6.0	HD Cl. Plate	9810-8542 ②④	Ptd. Aluminum	H56495	K4UT
400	OH/UG	1/2"-20 Stud	1/2"-20 Stud	1/2"-20 Stud	17.8	36.0	6.0	3.5" Hub Inst.	9810-8545	Steel	H56495	K4UT
400	OH/UG	3/0-800 kcmil (56733)	3/0-800 kcmil (56477)	3/0-800 kcmil (56476)	17.8	36.0	6.0	HD Cl. Plate	N9810-8517	Steel	H56495	K4UT
480	OH/UG	(2) #2-500 kcmil (56427-M)	(2) #2-500 kcmil (56425-M)	(2) #2-500 kcmil (56490)	17.8	36.0	6.0	(2) HD Cl. Plates	9810-9502 ④	Steel	H56495	K4UT
480	OH/UG	1/2"-20 Stud	1/2"-20 Stud	1/2"-20 Stud	17.8	36.0	6.0	(2) HD Cl. Plates	9810-9507 ④	Steel	H56495	K4UT
480	OH/UG	(2) #2-500 kcmil (56427-M)	(2) #2-500 kcmil (56425-M)	(2) #2-500 kcmil (56490)	17.8	36.0	6.0	(2) HD Cl. Plates	9810-9542 ②④	Ptd. Aluminum	H56495	K4UT
480	OH/UG	(2) #2-500 kcmil (56427-M)	(2) #2-500 kcmil (56427-M)	(4) #6-350 kcmil (56426)	17.8	36.0	6.0	(2) HD Cl. Plates	9810-9546 ④	Steel	H56495	K4UT
480	OH/UG	(3) #6-250 kcmil (67753-1)	(3) #6-250 kcmil (67753-1)	(4) #6-350 kcmil (56426)	17.8	36.0	6.0	(2) HD Cl. Plates	9810-9549	Ptd. Aluminum	H56495	K4UT

① 2 ground lugs included.

② Device has neutral bar with (2) studs.

③ Lug extender (59299) installed on line side.

④ Ground lug included.

⑤ Safety shield installed.

⑥ Includes 7/8" barrel lock K.O. and bracket

⑦ Bypass not included.

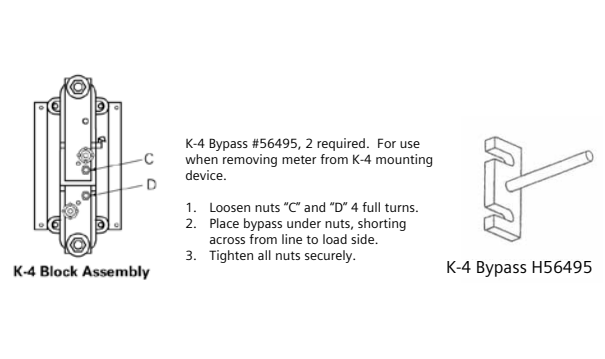
Product Schedule 443



GENERAL INFORMATION:

Capacity: 400 or 480 ampere continuous, 300 volts a.c.
 Application: For use with 3 wire single phase.
 Enclosures: Constructed of 14 gauge G90 steel suitable for indoor or outdoor installation. All enclosures are NEMA type 3R.
 Bypass: Separate manual type #H56495.
 Blocks: Glass fiber reinforced polyester plastic. High strength, arc and track resistant.
 Terminals: 1/2" cold headed cadmium plated steel studs with nuts and captive Belleville washers to accommodate various pressure type lugs for conductors from #6 to 800 KCMIL.
 Hubs: No hub. 3", 3-1/2", 4" removable type.
 UL: Type K-4UT devices are UL listed.

K-BASE BYPASSES:



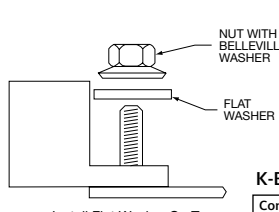
K-4 Block Assembly

K-4 Bypass #56495, 2 required. For use when removing meter from K-4 mounting device.

- Loosen nuts "C" and "D" 4 full turns.
- Place bypass under nuts, shorting across from line to load side.
- Tighten all nuts securely.

K-4 Bypass H56495

TORQUE DATA:



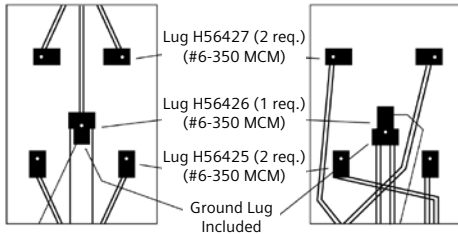
Install Flat Washer On Top Of Connector Lug

K-Base Torque Specifications

Connection	Part No.	Stud Size	Wrench Size	Torque
Lug Mounting Nut/Washer	H56271	1/2" - 20	3/4" Hex	500 in-lbs.
Meter Mounting Nut/Washer	H56271-2	5/16" - 24	1/2" Hex	150 in-lbs.
Lug Wire Binding Screws	-	-	5/16" Allen 3/8" Allen 1/2" Allen	275 in-lbs. 375 in-lbs. 500 in-lbs.

CONNECTIONS:

Lug Group Option A
For two conductors/terminal

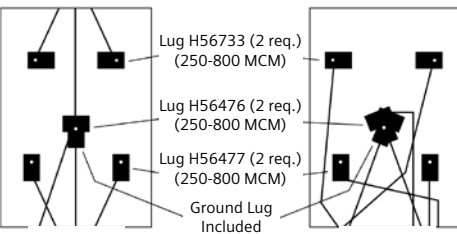


Group A Overhead Service

Group A Underground Service

- Lug H56427 (2 req.) (#6-350 MCM)
- Lug H56426 (1 req.) (#6-350 MCM)
- Lug H56425 (2 req.) (#6-350 MCM)
- Ground Lug Included

Optional Lugs
For two conductors/terminal



Overhead Service

Underground Service

- Lug H56733 (2 req.) (250-800 MCM)
- Lug H56476 (2 req.) (250-800 MCM)
- Lug H56477 (2 req.) (250-800 MCM)
- Ground Lug Included