

# Safety Switches



## Heavy Duty — 600v AC, 10,000 & 200,000 Amp Withstand Cartridge Fuse Type 1 & Type 3R

MURRAY 3



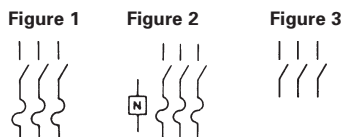
### Switch Selection with Class "H" Fuse Holders (Convertible to Class "J", "R" or "T")<sup>①</sup>

Symbol	Amps	Indoor TYPE 1		Outdoor TYPE 3R		Hub	Horsepower Rating										250V DC	600V DC
		Catalog Number	Approx. Wgt. Lbs. (Std. Pkg. 1)	Catalog Number	Approx. Wgt. Lbs. (Std. Pkg. 1)		480V AC 1Ø		480V AC 3Ø		600V AC 1Ø		600V AC 3Ø					
							Std	Max <sup>④</sup>	Std	Max <sup>④</sup>	Std	Max <sup>④</sup>	Std	Max <sup>④</sup>				
<b>FUSIBLE 3 POLE 600V AC (NO NEUTRAL)<sup>⑤⑥</sup></b>																		
Fig-1	30	HHN361	14.00	HHN361AW	15.00	ECHS	3	7½	5	15	3	10	7½	20	5	—		
	60	HHN362	19.00	HHN362AW	20.00	ECHS	5	20	15	30	10	25	15	50	10	25		
	100	HHN363	24.00	HHN363AW	25.00	ECHS	10	30	25	60	15	40	30	75	20	25		
	200	HHN364	48.00	HHN364AW	49.00	ECHS	25	50	50	125	30	50	60	150	40	50		
	400	HHN365H <sup>⑦</sup>	136.00	HHN365AWH <sup>⑦</sup>	137.00	ECHV <sup>⑧</sup>	—	—	100	250	—	—	350	50	—	—		
	400	HHN365	154.00	HHN365AW	157.00	ECHV <sup>⑧</sup>	—	—	100	250	—	—	125	350	50	—		
	600	HHN366H <sup>⑦</sup>	138.00	HHN366AWH <sup>⑦</sup>	141.00	ECHV <sup>⑧</sup>	—	—	150	400	—	—	500	50	—	—		
	600	HHN366	157.00	HHN366AW	217.00	ECHV <sup>⑧</sup>	—	—	150	400	—	—	200	500	50	—		
	800	HLN367 <sup>⑨</sup>	380.00	HLN367AW <sup>⑨</sup>	382.00	ECHV <sup>⑧</sup>	—	—	200	500	—	—	200	500	—	—		
1200	HLN368 <sup>⑨</sup>	383.00	HLN368AW <sup>⑨</sup>	385.00	ECHV <sup>⑧</sup>	—	—	200	500	—	—	200	500	—	—			

<b>FUSIBLE 3 POLE 4 WIRE S/N 480Y / 277V AC (INSULATED GROUNDABLE NEUTRAL)<sup>⑥</sup></b>																
Fig-2	30	<sup>⑩</sup>	—	HHN461NW	15.00	ECHS	3	7½	5	15	3	10	7½	20	5	—
	60	<sup>⑩</sup>	—	HHN462NW	20.00	ECHS	5	20	15	30	10	25	15	50	10	25

<b>NON-FUSIBLE 3 POLE 600V AC (USE FOR 2 POLE)<sup>⑤⑥⑩</sup></b>																
Fig-3	30	HUN361	12.00	HUN361AW	13.00	ECHS	7½	—	—	15	—	10	—	20	5	—
	60	HUN362	18.00	HUN362AW	19.00	ECHS	20	—	—	30	—	25	—	50	10	25
	100	HUN363	23.00	HUN363AW	24.00	ECHS	30	—	—	60	—	40	—	75	20	25
	200	HUN364	46.00	HUN364AW	47.00	ECHS	50	—	—	125	—	50	—	150	40	50
	400	HUN365	114.00	HUN365AW	118.00	ECHV <sup>⑧</sup>	—	—	—	250	—	—	—	350	50	—
	600	HUN366	116.00	HUN366AW	120.00	ECHV <sup>⑧</sup>	—	—	—	400	—	—	—	500	—	—

Accessories and Lug Data — See pages 3-48 and 3-49.  
 Dimensions — See pages 3-51 and 3-52.  
 Knockout Drawings — See pages 3-53 and 3-54.



① Switches through 1200 Amps listed by Underwriters' Laboratories for use on circuits delivering up to 200,000 Amps RMS symmetrical fault current, provided class "R", "J", "L", or "T" fuses are used. Rejection kits must be installed for "R" fuse applications.  
 ② Class "L" fuse provision. Single fuse per pole. Supplied without knockouts.  
 ③ Order 3 pole switch from chart above, and neutral from accessory page.  
 ④ Starting current of motors above standard horsepower rating may require use of time delay fuses.

⑤ For service equipment or applications requiring a solid neutral, order neutral kit as an accessory, page 3-8.  
 ⑥ 60-200A switches are also rated 600V DC when 2 poles are connected in series.  
 ⑦ 400A and larger Type 3R switches have no provisions for mounting hubs. Drill or punch hole in the field to accommodate hub size desired.  
 ⑧ Height reduced switch (45.25 rather than 56 inches in height) for use with 500MCM or smaller conductors.

⑩ Non-fusible switches also have the following max. HP ratings.

Amps	1Ø 240V AC	3Ø 240V AC
30	5	10
60	10	20
100	15	40
200	15	60
400	15	125
600	15	200

# Safety Switches

**MURRAY**

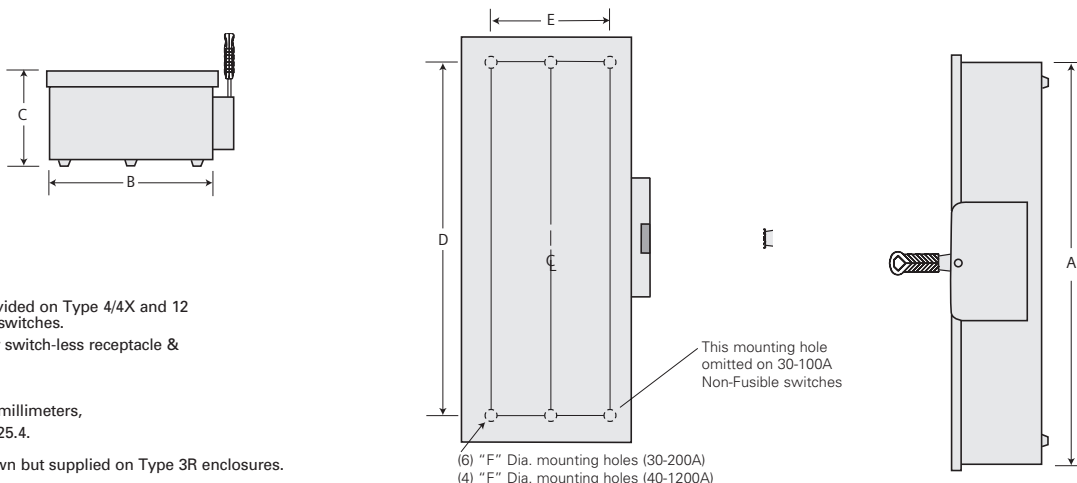
## Dimensions — General & Heavy Duty Switches, Protector-Lock® Switches, Double Throw Switches

### Safety Switch Dimensions<sup>③④</sup>

Catalog Number	Height			Width			Depth		Knockout Diagram <sup>①</sup>
	Box	With Door	With Rain Shed	Box	With Handle	Box	With Handle		
	A	B	C	D	E	F	G		
HLN368	66.67	67.16	—	38.40	39.96	9.24	14.68	—	
HLN368AW	66.67	—	67.74	38.40	39.96	9.24	14.68	—	
HLN427N	66.67	67.16	—	38.40	39.96	9.24	14.68	—	
HLN427NW	66.67	—	67.74	38.40	39.96	9.24	14.68	—	
HLN428N	66.67	67.16	—	38.40	39.96	9.24	14.68	—	
HLN428NW	66.67	—	67.74	38.40	39.96	9.24	14.68	—	
HUN361	11.11	12.31	—	6.64	9.01	5.05	10.17	S7	
HUN361AJ	11.12	12.31	—	6.65	9.02	5.56	10.46	—	
HUN361AW	11.11	—	12.63	6.64	9.01	5.05	10.17	S9	
HUN361AS	11.12	12.31	—	6.65	9.02	5.56	10.46	—	
HUN362	16.26	17.46	—	9.15	11.53	5.05	10.17	S16	
HUN362AJ	16.27	17.46	—	9.17	11.47	5.33	10.46	—	
HUN362AW	16.26	—	17.77	9.16	11.53	5.05	10.17	S17	
HUN362AS	16.27	17.46	—	9.17	11.47	5.33	10.46	—	
HUN362CJ <sup>②</sup>	16.26	17.46	—	9.17	—	5.33	10.46	—	
HUN363	21.95	23.15	—	9.64	12.01	5.05	10.17	S10	
HUN363AJ	21.96	23.16	—	9.65	12.02	5.34	10.46	—	
HUN363AS	21.96	23.16	—	9.65	12.02	5.34	10.46	—	
HUN363AW	21.95	—	23.46	9.64	11.97	5.05	10.17	S11	
HUN364	29.90	31.07	—	14.62	16.98	6.36	12.33	S12	
HUN364AJ	29.96	31.07	—	14.62	16.95	6.63	12.58	—	
HUN364AS	29.96	31.07	—	14.62	16.95	6.63	12.58	—	
HUN364AW	29.90	—	31.42	14.61	16.99	6.36	12.33	S13	
HUN365	44.00	44.57	—	24.64	26.21	9.23	14.68	S14	
HUN365AJ	44.14	44.57	—	24.82	26.44	9.19	14.64	—	
HUN365AW	44.07	—	45.19	24.64	26.95	9.23	14.68	S15	
HUN366	44.00	44.57	—	24.64	26.21	9.23	14.68	S14	
HUN366AW	44.07	—	45.19	24.64	26.95	9.23	14.68	S15	

### VBII Design Double Throw Dimensions (Inches)<sup>⑤</sup>

Catalog Number	Enclosure			Mounting		
	A	B	C	D	E	F
(30-600A Type 1 & 3R) <sup>⑤</sup>						
HDUN221, HDUN321, HDUN361, HDUN361AW	24.50	9.53	6.09	19.00	6.75	0.268
HDHN321, HDHN321AW	29.12	9.53	6.09	23.50	6.75	0.268
HDUN222, HDUN322, HDUN362, HDUN362AW	24.88	11.50	6.09	19.00	9.38	0.268
HDHN322, HDHN322AW	33.53	11.50	6.09	27.50	9.38	0.268
HDUN223, HDUN323, HDUN323AW, HDUN363, HDUN363AW	27.62	12.18	6.09	19.36	8.00	0.268
HDHN323, HDHN323AW	36.44	12.18	6.09	28.11	8.00	0.268
HDUN224, HDUN324, HDUN224AW, HDUN324AW, HDUN364, HDUN364AW	36.00	19.12	6.42	31.02	15.00	0.44
HDHN324	49.48	19.12	6.42	44.50	15.00	0.44
HDHN325	74.00	28.38	9.38	65.50	16.00	0.56
HDUN225, HDUN325, HDUN225AW, HDUN365, HDUN365AW, HDUN366AW	57.78	28.38	9.38	49.75	16.00	0.56



- ① Knockouts not provided on Type 4/4X and 12 or on 800 & 1200A switches.
- ② Dimensions are for switch-less receptacle & mounting feet.
- ③ Accurate to  $\pm 1/8$ ".
- ④ For dimensions in millimeters, multiply inches by 25.4.
- ⑤ Drip hood not shown but supplied on Type 3R enclosures.