

Safety Switches

MURRAY

Heavy Duty — 240V AC, 10,000 & 200,000 Amp Withstand Cartridge Fuse Type 1 & Type 3R



Switch Selection with Class "H" Fuse Holders (Convertible to Class "J", "R" or "T")^①

Symbol	Amps	Indoor TYPE 1			Outdoor TYPE 3R			Hub	Horsepower Rating				
		Catalog Number	Std. Pkg.	Approx. Wgt. Lbs.	Catalog Number	Std. Pkg.	Approx. Wgt. Lbs.		Single Phase		Three Phase		
									240V AC		240V AC		250V DC
									Std	Max ^③	Std	Max ^③	Std

FUSIBLE 2 POLE 3 WIRE S/N 240V AC (INSULATED GROUNDABLE NEUTRAL)^{④⑤⑥}

Fig-1	Amps	Indoor Catalog Number	Indoor Std. Pkg.	Indoor Approx. Wgt. Lbs.	Outdoor Catalog Number	Outdoor Std. Pkg.	Outdoor Approx. Wgt. Lbs.	Hub	Single Phase Std	Single Phase Max ^③	Three Phase Std	Three Phase Max ^③	Three Phase 250V DC Std
	30	HHN321N	1	12.00	HHN321NW	1	13.00	ECHS	1½	3	3	7½	5
	60	HHN322N	1	18.00	HHN322NW	1	19.00	ECHS	3	10	7½	15	10
	100	HHN323N	1	23.00	HHN323NW	1	24.00	ECHS	7½	15	15	30	20
	200	HHN324N	1	47.00	HHN324NW	1	48.00	ECHS	15	—	25	60	40
	400	HHN325NH ^②	1	129.00	HHN325NWH ^②	1	131.00	ECHV ^②	15	—	50	125	50
	400	HHN325N	1	153.00	HHN325NW	1	157.00	ECHV ^②	15	—	50	125	50
	600	HHN326NH ^②	1	133.00	HHN326NWH ^②	1	135.00	ECHV ^②	15	—	75	200	—
	600	HHN326N	1	155.00	HHN326NW	1	159.00	ECHV ^②	15	—	75	200	—
	800	HLN327N ^{②⑥}	1	360.00	—	—	—	—	—	—	100	250	—
	1200	HLN328N ^{②⑥}	1	362.00	—	—	—	—	—	—	100	250	—

FUSIBLE 3 POLE 4 WIRE S/N 240V AC (INSULATED GROUNDABLE NEUTRAL)^{④⑤⑥}

Fig-2	Amps	Indoor Catalog Number	Indoor Std. Pkg.	Indoor Approx. Wgt. Lbs.	Outdoor Catalog Number	Outdoor Std. Pkg.	Outdoor Approx. Wgt. Lbs.	Hub	Single Phase Std	Single Phase Max ^③	Three Phase Std	Three Phase Max ^③	Three Phase 250V DC Std
	30	HHN421N	1	14.00	HHN421NW	1	15.00	ECHS	1½	3	3	7½	5
	60	HHN422N	1	19.00	HHN422NW	1	20.00	ECHS	3	10	7½	15	10
	100	HHN423N	1	25.00	HHN423NW	1	26.00	ECHS	7½	15	15	30	20
	200	HHN424N	1	49.00	HHN424NW	1	50.00	ECHS	15	—	25	60	40
	400	HHN425NH ^②	1	137.00	HHN425NWH ^②	1	138.00	ECHV ^②	15	—	50	125	50
	400	HHN425N	1	158.00	HHN425NW	1	162.00	ECHV ^②	15	—	50	125	50
	600	HHN426NH ^②	1	139.00	HHN426NWH ^②	1	142.00	ECHV ^②	15	—	75	200	—
	600	HHN426N	1	161.00	HHN426NW	1	165.00	ECHV ^②	15	—	75	200	—
	800	HLN427N ^{②⑥}	1	380.00	HLN427NW ^{②⑥}	1	383.00	ECHV ^②	—	—	100	250	—
	1200	HLN428N ^{②⑥}	1	382.00	HLN428NW ^{②⑥}	1	385.00	ECHV ^②	—	—	100	250	—

Accessories and Lug Data —
See pages 3-48 and 3-49.
Dimensions —
See pages 3-51 and 3-52.
Knockout Drawings —
See pages 3-53 and 3-54.

Figure 1



Figure 2



① Switches through 1200 Amps listed by Underwriters' Laboratories for use on circuits delivering up to 200,000 Amps RMS symmetrical fault current, provided class "R", "J", "L", or "T" fuses are used. Rejection kits must be installed for "R" fuse application. "T" fuse adapter kit required for "T" fuse application. See Accessory Page.
"J" fuses can only be used on 100-600A ratings.
"T" fuses can only be used on 100-1200A ratings.

② Factory set for use with class "L" fuses.
③ Starting current of motors above standard horsepower rating may require use of time delay fuses.
④ Suitable for 3-pole motor loads.
⑤ Suitable for service entrance application. Neutral factory-installed.
⑥ Supplied without knockouts.

⑦ 400A and larger Type 3R switches have no provisions for mounting hubs. Drill or punch hole in the field to accommodate hub size desired.
⑧ Also rated 250V DC
⑨ Height reduced switch (45.25 rather than 56 inches in height) for use with 500MCM or smaller conductors.

Safety Switches

MURRAY

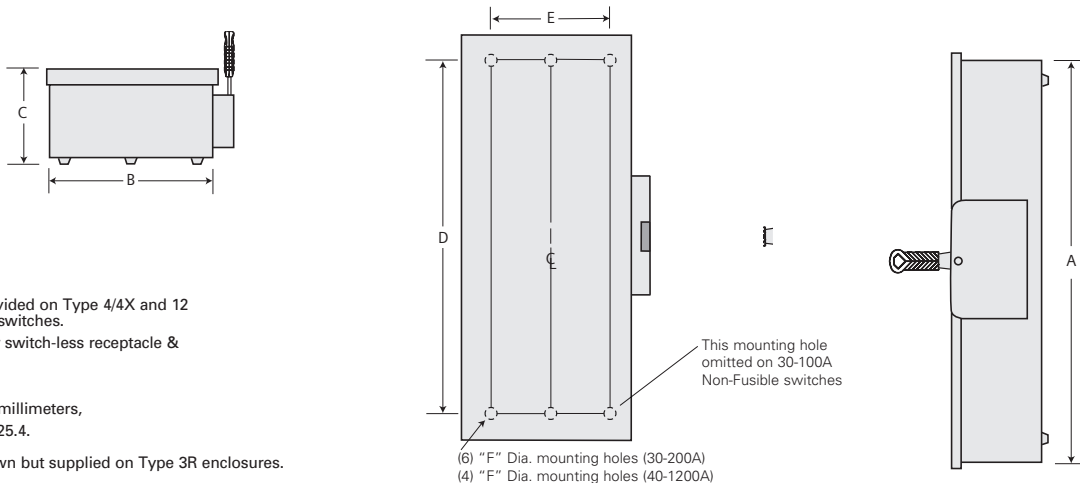
Dimensions — General & Heavy Duty Switches, Protector-Lock® Switches, Double Throw Switches

Safety Switch Dimensions^{③④}

Catalog Number	Height			Width			Depth		Knockout Diagram ^①
	Box	With Door	With Rain Shed	Box	With Handle	Box	With Handle		
	A	B	C	D	E	F	G		
HLN368	66.67	67.16	—	38.40	39.96	9.24	14.68	—	
HLN368AW	66.67	—	67.74	38.40	39.96	9.24	14.68	—	
HLN427N	66.67	67.16	—	38.40	39.96	9.24	14.68	—	
HLN427NW	66.67	—	67.74	38.40	39.96	9.24	14.68	—	
HLN428N	66.67	67.16	—	38.40	39.96	9.24	14.68	—	
HLN428NW	66.67	—	67.74	38.40	39.96	9.24	14.68	—	
HUN361	11.11	12.31	—	6.64	9.01	5.05	10.17	S7	
HUN361AJ	11.12	12.31	—	6.65	9.02	5.56	10.46	—	
HUN361AW	11.11	—	12.63	6.64	9.01	5.05	10.17	S9	
HUN361AS	11.12	12.31	—	6.65	9.02	5.56	10.46	—	
HUN362	16.26	17.46	—	9.15	11.53	5.05	10.17	S16	
HUN362AJ	16.27	17.46	—	9.17	11.47	5.33	10.46	—	
HUN362AW	16.26	—	17.77	9.16	11.53	5.05	10.17	S17	
HUN362AS	16.27	17.46	—	9.17	11.47	5.33	10.46	—	
HUN362CJ ^②	16.26	17.46	—	9.17	—	5.33	10.46	—	
HUN363	21.95	23.15	—	9.64	12.01	5.05	10.17	S10	
HUN363AJ	21.96	23.16	—	9.65	12.02	5.34	10.46	—	
HUN363AS	21.96	23.16	—	9.65	12.02	5.34	10.46	—	
HUN363AW	21.95	—	23.46	9.64	11.97	5.05	10.17	S11	
HUN364	29.90	31.07	—	14.62	16.98	6.36	12.33	S12	
HUN364AJ	29.96	31.07	—	14.62	16.95	6.63	12.58	—	
HUN364AS	29.96	31.07	—	14.62	16.95	6.63	12.58	—	
HUN364AW	29.90	—	31.42	14.61	16.99	6.36	12.33	S13	
HUN365	44.00	44.57	—	24.64	26.21	9.23	14.68	S14	
HUN365AJ	44.14	44.57	—	24.82	26.44	9.19	14.64	—	
HUN365AW	44.07	—	45.19	24.64	26.95	9.23	14.68	S15	
HUN366	44.00	44.57	—	24.64	26.21	9.23	14.68	S14	
HUN366AW	44.07	—	45.19	24.64	26.95	9.23	14.68	S15	

VBII Design Double Throw Dimensions (Inches)^⑤

Catalog Number	Enclosure			Mounting		
	A	B	C	D	E	F
(30-600A Type 1 & 3R) ^⑤						
HDUN221, HDUN321, HDUN361, HDUN361AW	24.50	9.53	6.09	19.00	6.75	0.268
HDHN321, HDHN321AW	29.12	9.53	6.09	23.50	6.75	0.268
HDUN222, HDUN322, HDUN362, HDUN362AW	24.88	11.50	6.09	19.00	9.38	0.268
HDHN322, HDHN322AW	33.53	11.50	6.09	27.50	9.38	0.268
HDUN223, HDUN323, HDUN323AW, HDUN363, HDUN363AW	27.62	12.18	6.09	19.36	8.00	0.268
HDHN323, HDHN323AW	36.44	12.18	6.09	28.11	8.00	0.268
HDUN224, HDUN324, HDUN224AW, HDUN324AW, HDUN364, HDUN364AW	36.00	19.12	6.42	31.02	15.00	0.44
HDHN324	49.48	19.12	6.42	44.50	15.00	0.44
HDHN325	74.00	28.38	9.38	65.50	16.00	0.56
HDUN225, HDUN325, HDUN225AW, HDUN365, HDUN365AW, HDUN366AW	57.78	28.38	9.38	49.75	16.00	0.56



- ① Knockouts not provided on Type 4/4X and 12 or on 800 & 1200A switches.
- ② Dimensions are for switch-less receptacle & mounting feet.
- ③ Accurate to $\pm 1/8$ ".
- ④ For dimensions in millimeters, multiply inches by 25.4.
- ⑤ Drip hood not shown but supplied on Type 3R enclosures.