

# Circuit Breakers

## Full Size (1" per Pole) with INSTA-WIRE

Continuous Current Rating @ 40° C	Type MP-T <sup>①</sup>	Type MP-HT	Type MP-MT
	10,000A IR	22,000A IR	65,000A IR
	Catalog Number	Catalog Number	Catalog Number

### 1-Pole Plug-In (120V AC)<sup>⑤</sup>

Rating	Type MP-T <sup>①</sup>	Type MP-HT	Type MP-MT
10	MP110	—	—
15	MP115 <sup>④</sup>	MP115KH <sup>④</sup>	MP115KM <sup>④</sup>
20	MP120 <sup>④</sup>	MP120KH <sup>④</sup>	MP120KM <sup>④</sup>
25	MP125	MP125KH■	MP125KM■
30	MP130	MP130KH	MP130KM■
35	MP135■	MP135KH■	MP135KM■
40	MP140	MP140KH	MP140KM■
45	MP145■	MP145KH■	MP145KM■
50	MP150	MP150KH	MP150KM■
60	MP160■	MP160KH■	MP160KM■
70	MP170■	MP170KH■	MP170KM■

### 2-Pole Plug-In (Common-Trip 120/240V AC)<sup>④</sup>

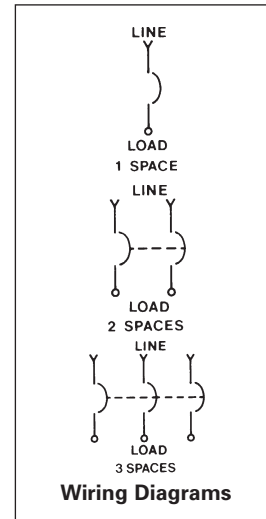
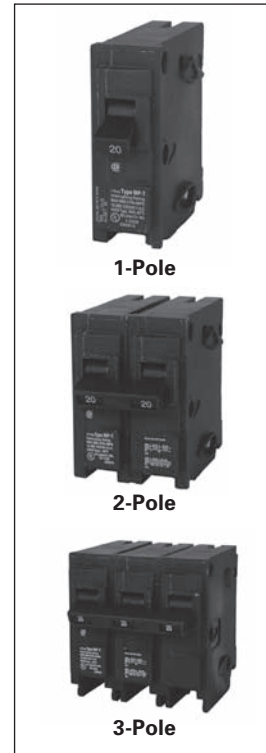
Rating	Type MP-T <sup>①</sup>	Type MP-HT	Type MP-MT
15	MP215	MP215KH	MP215KM■
20	MP220	MP220KH	MP220KM■
25	MP225	MP225KH■	MP225KM■
30	MP230	MP230KH	MP230KM■
35	MP235	MP235KH■	MP235KM■
40	MP240	MP240KH	MP240KM■
45	MP245	MP245KH■	MP245KM■
50	MP250	MP250KH	MP250KM■
60	MP260	MP260KH	MP260KM■
70	MP270	MP270KH■	MP270KM■
80	MP280	MP280KH■	—
90	MP290	MP290KH■	MP290KM■
100	MP2100	MP2100KH	MP2100KM
110	MP2110	MP2110KH	MP2110KM■
125	MP2125	MP2125KH	MP2125KM

### 2-Pole Plug-In (Common-Trip 240V AC)<sup>③④</sup>

Rating	Type MP-T <sup>①</sup>	Type MP-HT	Type MP-MT
15	MPH215	—	—
20	MPH220	—	—
30	MPH230	—	—
40	MPH240■	—	—
50	MPH250	—	—
60	MPH260	—	—
70	MPH270■	—	—
100	MPH2100■	—	—

### 3-Pole Plug-In (Common-Trip 240V AC)<sup>⑦</sup>

Rating	Type MP-T <sup>①</sup>	Type MP-HT	Type MP-MT
15	MP315	MP315KH	MP315KM■
20	MP320	MP320KH	MP320KM■
25	MP325■	MP325KH■	—
30	MP330	MP330KH	MP330KM
35	MP335■	—	—
40	MP340	MP340KH	MP340KM
45	MP345■	—	—
50	MP350	MP350KH	MP350KM
60	MP360	MP360KH	MP360KM
70	MP370	MP370KH	MP370KM■
80	MP380	MP380KH■	MP380KM■
90	MP390	MP390KH■	MP390KM■
100	MP3100	MP3100KH	MP3100KM



### MP-T / MP-HT / MP-MT Internal Accessories

Description	Catalog Number	Field/Factory Installed
120V Shunt Trip	add suffix...ST■	Factory
24V Shunt Trip	add suffix...ST24V■	Factory
120V Auxiliary Switch	add suffix...AS■ <sup>②</sup>	Factory

### Modifications

Description	Catalog Number
400Hz Calibration	add suffix...Y <sup>⑥</sup>
Marine 50° C Ambient Calibration	add suffix...M
Fungus Proofing	add suffix...F

For external accessories please refer to page 3-20.

■ Built to order. Allow 2-3 weeks for delivery

① UL Listed for use with 60/75° wire through 40 amps, UL listed for use with 75° wire only for 50 amps and above, HACR rated. 120V AC Fluorescent Lighting.

② 1A and 1B contacts.

③ UL Listed for use on 3 phase grounded "B" systems — 10,000 for this application.

④ UL Listed for frequent switching applications (SWD).

⑤ Shipped 12 per sleeve.

⑥ Shipped 6 per sleeve.

⑦ Shipped 4 per sleeve.

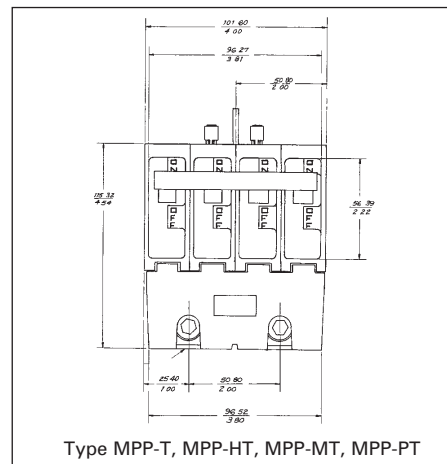
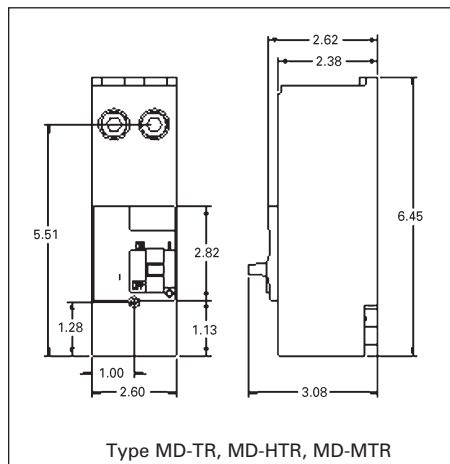
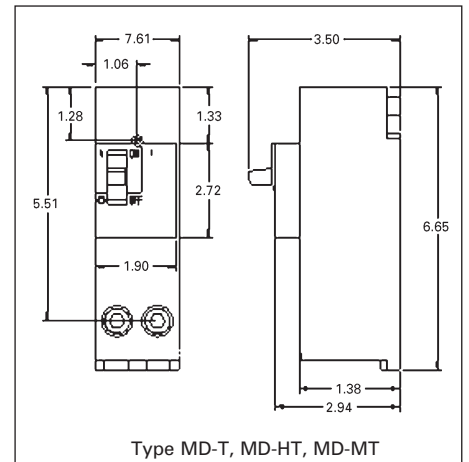
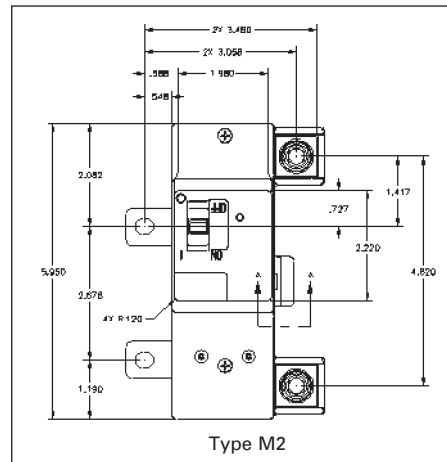
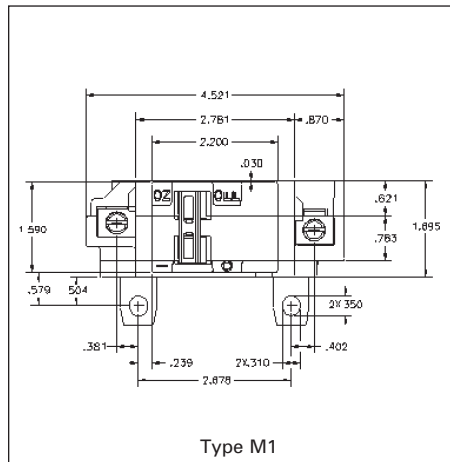
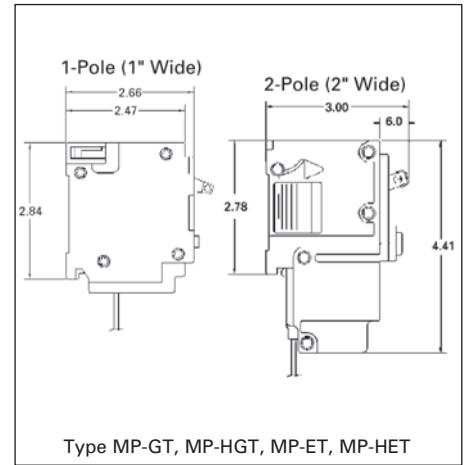
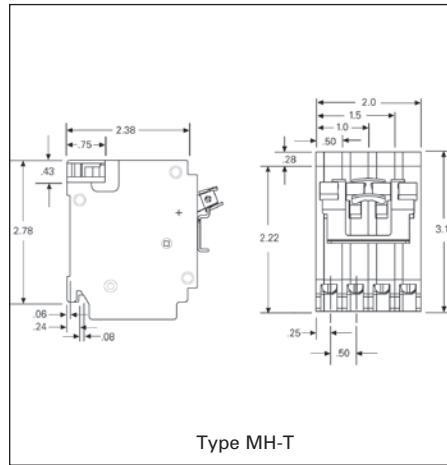
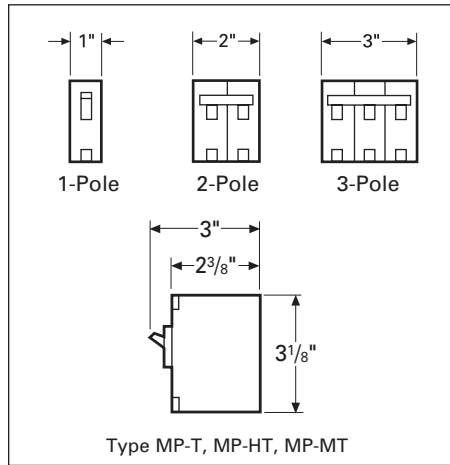
⑧ UL Listed 5KA IR.

⑨ Not UL Listed.

⑩ 1 & 2 Poles only.

# Circuit Breakers

## Line Diagrams



©All standard circuit breakers are calibrated to 40°C maximum ambient application.

## Lug Data

Circuit Breaker Type	Circuit Breaker Ampere Rating	Cables Per Connector	Connector Wire Range
	<b>LOAD SIDE</b>		
<b>MP-T, MP-HT, MP-MT</b>	7	2	#18-#14 CU
	10	2	#16-#14 CU
	15-35	1 1	#14-#16 AWG Cu #14-#16 AWG Al
	40-50	1 1	#8-#6 AWG Cu #8-#4 AWG Al
	55-125	1 1	#8-#2/0 Cu #8-#2/0 Al
<b>MH-T</b>	15-35	1 1	#14-#8 AWG Cu #12-#8 AWG Al
	40	1	#8 AWG CU-AL
	40-50	1 1	#8-#6 AWG Cu #8-#4 AWG Al
<b>MP-GT, MP-HGT, MP-ET, MP-HET BLF, BLHF, BLE, BLEH</b>	15-30	1 1	#14-#10 AWG Cu #12-#8 AWG Al
	40-60	1 1	#8-#6 AWG Cu #8-#4 AWG Al
<b>MP-AT, MP-HAT, BAF, BAFH</b>	15-20	1 1	#14-#12 AWG Cu #12-#10 AWG Al
<b>MSQ</b>	15-20	2	#14-#8 AWG Cu Only
	15-20	1 1	#14-#12 AWG Cu #12-#10 AWG Al
	25-35	1 1	#10-#8 AWG Cu #10-#6 AWG Al
	40-60	1 1	#8-#6 AWG Cu #8-#4 AWG Al
<b>MD-T, MD-HT, MD-MT, MD-PT, MD-TR, MD-HTR, MD-MTR, MD-PTR</b>	150-200	1	#1-300kcmil Cu-Al
<b>M1</b>	100	1	#4-3/0 AWG Cu #4-3/0 AWG Al
		1	#4-3/0 AWG Cu #4-3/0 AWG Al
	125	1	#4-3/0 AWG Cu-Al
<b>M2</b>	150	1	#1-300kcmil Cu-Al
	200	1	#1-300kcmil Cu-Al
	225	1	#1-300kcmil Cu-Al
<b>MPP-T, MPP-HT, MPP-MT, MPP-PT</b>	125	1 1	#1 AWG Cu #2/0 AWG Al
	150	1 1	#1/0 AWG Cu #3/0 AWG Al
	175	1 1	#2/0 AWG Cu #4/0 AWG Al
	200	1 1	#3/0 AWG Cu 250kcmil AWG Al
	225	1 1	#4/0 AWG Cu 300kcmil AWG Al
<b>MQ, MQH, MQL</b>	60-225	1	#6-300kcmil Cu #4-300kcmil Al

# Power Mod

## Tenant Circuit Breakers



2  
METER  
CENTERS

Amp- erage	10K AIC		22K AIC		42K AIC		65K AIC		100K AIC	
	Siemens	Murray	Siemens	Murray	Siemens	Murray	Siemens	Murray	Siemens	Murray
	Type QP	Type MP-T	Type QPH	Type MP-HT	—	—	Type HQP	Type MP-MT	—	—

**For use in 125 Amp and 225 Amp single phase output WMM, WML, WMT meter stacks**

60	Q260	MP260	Q260H	MP260KH	Q260HH	MP260KM	Q260HH	MP260KM	—	—
70	Q270	MP270	Q270H	MP270KH	Q270HH	MP270KM	Q270HH	MP270KM	—	—
80	Q280	MP280	Q280H	MP280KH	Q280HH	MP280KM	Q280HH	MP280KM	—	—
90	Q290	MP290	Q290H	MP290KH	Q290HH	MP290KM	Q290HH	MP290KM	—	—
100	Q2100	MP2100	Q2100H	MP2100KH	Q2100HH	MP2100KM	Q2100HH	MP2100KM	HQS2100H <sup>①</sup>	HQS2100H <sup>①</sup>
110	Q2110	MP2110	Q2110H	MP2110KH	Q2110HH	MP2110KM	Q2110HH	MP2110KM	—	—
125	Q2125	MP2125	Q2125H	MP2125KH	Q2125HH	MP2125KM	Q2125HH	MP2125KM	HQS2125H <sup>①</sup>	HQS2125H <sup>①</sup>

**For use in 100 Amp, 3- phase output WML meter stacks only**

60	Q360	MP360	Q360H	MP360KH	Q360HH	MP360KM	Q360HH	MP360KM	—	—
70	Q370	MP370	Q370H	MP370KH	Q370HH	MP370KM	Q370HH	MP370KM	—	—
80	Q380	MP380	Q380H	MP380KH	Q380HH	MP380KM	Q380HH	MP380KM	—	—
90	Q390	MP390	Q390H	MP390KH	Q390HH	MP390KM	Q390HH	MP390KM	—	—
100	Q3100	MP3100	Q3100H	MP3100KH	Q3100HH	MP3100KM	Q3100HH	MP3100KM	—	—

**For use in 225 Amp single phase output WMM, WML, WMT meter stacks**

	Type QS <sup>②</sup>	(Use QS)	Type QSH <sup>③</sup>	(Use QSH)	Type QSHH	(Use QSHH)	Type HQS <sup>③</sup>	(Use HQS)	Type HQSH <sup>③</sup>	(Use HQSH)
100	QS2100	QS2100	QS2100H	QS2100H	QSH2100	QSH2100	QS2100HH	QS2100HH	HQS2100H	HQS2100H
125	QS2125	QS2125	QS2125H	QS2125H	QSH2125	QSH2125	QS2125HH	QS2125HH	HQS2125H	HQS2125H
150	QS2150	QS2150	QS2150H	QS2150H	QSH2150	QSH2150	QS2150HH	QS2150HH	HQS2150H	HQS2150H
175	QS2175	QS2175	QS2175H	QS2175H	QSH2175	QSH2175	QS2175HH	QS2175HH	HQS2175H	HQS2175H
200	QS2200	QS2200	QS2200H	QS2200H	QSH2200	QSH2200	QS2200HH	QS2200HH	HQS2200H	HQS2200H
225	QS2225	QS2225	QS2225H	QS2225H	QSH2225	QSH2225	QS2225HH	QS2225HH	HQS2225H	HQS2225H

**For use in 225 Amp 3-phase output WML & WMT meter stacks only**

	Type QJ2	Type MQ	Type QJH2	Type MQH	Type QJ2H	Type MQL	Type HQJ2H <sup>②</sup>	Type HQJ2H <sup>②</sup>	Type HQJ2H <sup>②</sup>	Type HQJ2H <sup>②</sup>
60	QJ23B060	MQJ360	QJH23B060	MQJ360KH	QJ23B060H	MQJ360KL	—	—	—	—
70	QJ23B070	MQJ370	QJH23B070	MQJ370KH	QJ23B070H	MQJ370KL	—	—	—	—
80	QJ23B080	MQJ380	QJH23B080	MQJ380KH	QJ23B080H	MQJ380KL	—	—	—	—
90	QJ23B090	MQJ390	QJH23B090	MQJ390KH	QJ23B090H	MQJ390KL	—	—	—	—
100	QJ23B100	MQJ3100	QJH23B100	MQJ3100KH	QJ23B100H	MQJ3100KL	—	—	—	—
110	QJ23B110	MQJ3110	QJH23B110	MQJ3110KH	QJ23B110H	MQJ3110KL	—	—	—	—
125	QJ23B125	MQJ3125	QJH23B125	MQJ3125KH	QJ23B125H	MQJ3125KL	—	—	—	—
150	QJ23B150	MQJ3150	QJH23B150	MQJ3150KH	QJ23B150H	MQJ3150KL	HQJ23B150H	HQJ23B150H	HQJ23B150H	HQJ23B150H
175	QJ23B175	MQJ3175	QJH23B175	MQJ3175KH	QJ23B175H	MQJ3175KL	—	—	—	—
200	QJ23B200	MQJ3200	QJH23B200	MQJ3200KH	QJ23B200H	MQJ3200KL	HQJ23B200H	HQJ23B200H	HQJ23B200H	HQJ23B200H
225	QJ23B225	MQJ3225	QJH23B225	MQJ3225KH	QJ23B225H	MQJ3225KL	HQJ23B225H	HQJ23B225H	HQJ23B225H	HQJ23B225H

① HQSH breakers require the use of 225 Amp WMM meter stacks.

② HQJ2H breakers require the use of 225 Amp 3-phase WML meter stacks.

③ QS series rates with Murray circuit breakers.

Multi-family  
Metering