

Introducing our new line of 30mm Pilot Devices

Our broad range of 30mm (Command 52/BlackMax) Pilot Devices have long been relied on by America's leading Industrial manufacturers, OEMs, and end-users. Special attention has to be paid to the interaction between man and machine. Siemens has a wide range of pilot lights, pushbuttons units, E-STOPS, custom enclosures, and selector switches. With Siemens commanding and signaling devices, you can be confident in being able to handle every situation.

Table of Contents

Features and Benefits	2
Pilot Lights	3 - 6
Push-Pull	7 - 11
Twist-to-Release	12 - 13
Push-to-Test	14 - 16
Basic Pushbuttons	17 - 19
Mushroom Head Pushbuttons	20 - 21
Keyed Selector Switches	22 - 23
Illuminated Selector Switches	24 - 25
Non-Illuminated Selector Switches	26 - 28
Selector Pushbuttons	29
Operator Specific Accessories	30 - 31
General and Lighting Accessories	32 - 33
Selector Switch Configuration	34
General Information and FAQs	35
Dimension Drawings	36 - 39

30mm Pilot Devices Product Overview


With Siemens innovative technology and design for rapid installation, our complete range of oil tight Pilot Devices provides a solution that will be aesthetically and functionally impressive. The extensive portfolio is modular, well-proven in practice, and is 100% fit for industrial environments. Whether the application requires Chrome or BlackMax, incandescent or LED, standard duty or hazardous location, or plastic or glass – Siemens has done the work for you.

New Siemens Products!

- 3 Position: Push-Maintained, Pull-Momentary!
- 2 Position: Push-Maintained, Twist-to-Release!¹
- Integrated LED Modules – Our recommended 30mm illumination option!

Features and Benefits

- **New Modular Design** – Allowing for quick delivery, multiple distributor options, and a full product line for the end-user. Lighting modules, operators, and lens can be ordered fully assembled or independently depending on your applications.
- **Latest in Illumination Technology** – Delivering traditional incandescent lights, energy saving LEDs, and energy saving extra bright cluster LEDs.

- **New Ribbed Concentric Lens** – Providing improved lighting distribution and aesthetic appeal.
- **Less Mounting Space** – Making Siemens new 30mms smaller than ever.
- **More In-Stock Product** – Meeting our customers needs by carrying a vast array of 30mm Pilot Device catalog IDs at our distribution centers.
- **BlackMax corrosion resistant line** – withstanding the harshest environments.
- **Silver contacts with gold flashing** – Improving contact reliability of all our contact blocks.
-  Positively driven contacts
- **NEMA Type 1, 3, 3R, 4, 4X, 12, 13**
- **Automotive standards compliant**

Product Selection Options

- Stock Product Tables – Choose a standard pilot device from the lists of stocked product.
- Product Configurations – Build a pilot device for your exact needs with our simple product configurators.

Make your choice for each selection category to generate your catalog number. Optional selection categories are denoted with gray boxes.

Selection	1	2	3	4	5	6	7
Catalog Number	52	P	L	5	D	2	XY

¹ Cat. No. 52BP, 52BR, 52PP, and 52PR, 2 Position, Twist-To-Release & 2 Position, Push Pull Maintained operators provided with red operating heads and 52BJK contact blocks meet the requirements of EN 60947-5-5 for Electrical Emergency Stop Device With Mechanical Latching Function (e-stop).

Pilot Lights



Ordering Guide: Pilot Lights

Example:

52PL5D2XY

- Pilot Light, 30 mm
- Chrome
- Red
- Glass Lens
- Full Voltage, 24V
- 3 LED Cluster Bulb

52BL4G9

- Pilot Light, 30mm
- BlackMax
- Amber
- Plastic Lens
- Transformer, 120V
- Incandescent Bulb

Selection	1	2	3	4	5	6	7
Catalog Number	52	P	L	5	D	2	XY

Use the selection information below to build your pilot light catalog number. Please contact your Siemens account manager for further ordering details.

Selection (1)

Class

52 30mm
(Oil Tight Products)

(2)

Finish

P Chrome
B BlackMax -
NEMA 4X

(3)

Product Type

L Pilot Light

(4)

Style

4 Plastic Lens
5 Glass Lens

Selection (5)

Operation

Full voltage

B 6 - 8V AC/DC
C 12 - 13V AC/DC
D 24 - 28V AC/DC
E 120V AC/DC

Transformer

G 120V AC
H 240V AC
J 480V AC
K 600V AC

LED Module

L 24V AC/DC
M 120V AC
N 240V AC

Lighting Placeholder

X No lighting module¹

(6)

Color

2 Red
3 Green
5 Blue
9 Amber
A Clear
B White
N No lens/head

(7)

Optional: LED²

XY 3 LED Cluster
XB LED Single Bulb

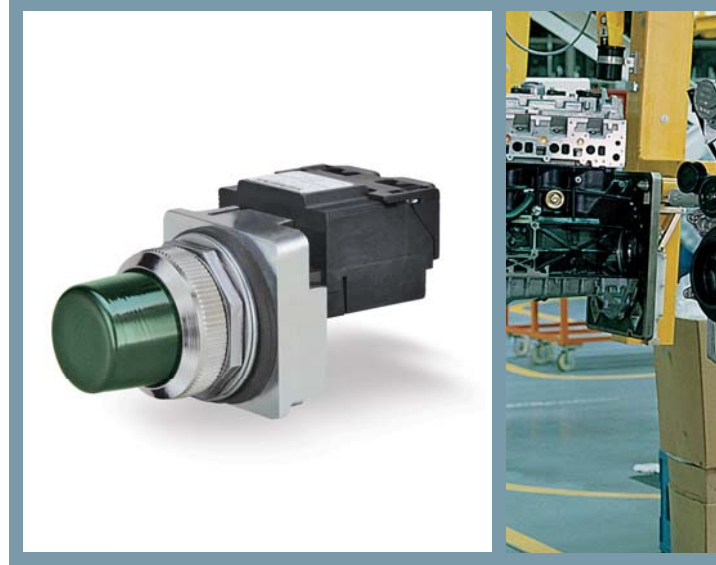
Default is
incandescent bulb.

Additional contact block
arrangements are available
upon request. See contact
block table on page 32 for
a complete list of contact
block offerings.

¹ Lighting module accessory kits can be ordered on page 31. When using LED, lens and LED bulb must match.

² This option cannot be selected when using 12-13V Full Voltage or LED Module. All LED Modules utilize a single LED bulb. When selecting this in combination with 120V Full Voltage, only AC voltage can be used.

Pilot Lights



Stock Product and Cross Reference

The following section is a cross-reference of our pre-2009 generation and new generation of pilot lights.

The listed pilot lights are just a selection of stocked product. Please consult your Siemens account manager for a complete cross-reference and list of stocked product.

CHROME Pilot Lights, 30mm

New Catalog ID	Old Catalog ID	Color	Head Type	Power Module	Lamp
52PL5G2XY	NA	Red	Glass Lens	Transformer - 120 V	Cluster LED
52PL5G2	52PA5G2	Red	Glass Lens	Transformer - 120 V	Incandescent Bulb
52PL5G2XB	52PE5G2	Red	Glass Lens	Transformer - 120 V	Single LED
52PL4E2	52PC4E2	Red	Plastic Lens	Full Voltage - 120 V	Incandescent Bulb
52PL4E2XB	52PE4E2	Red	Plastic Lens	Full Voltage - 120 V	Single LED
52PL4D2	52PA4D2	Red	Plastic Lens	Full Voltage - 24 V	Incandescent Bulb
52PL4D2XB	52PE4D2	Red	Plastic Lens	Full Voltage - 24 V	Single LED
52PL4M2	NA	Red	Plastic Lens	LED Module - 120 V	Integrated LED
52PL4L2	NA	Red	Plastic Lens	LED Module - 24 V	Integrated LED
52PL4G2XY	NA	Red	Plastic Lens	Transformer - 120 V	Cluster LED
52PL4G2	52PA4G2	Red	Plastic Lens	Transformer - 120 V	Incandescent Bulb
52PL4G2XB	52PE4G2	Red	Plastic Lens	Transformer - 120 V	Single LED
52PL4H2	52PA4H2	Red	Plastic Lens	Transformer - 240 V	Incandescent Bulb
52PL4J2	52PA4J2	Red	Plastic Lens	Transformer - 480 V	Incandescent Bulb
52PL4J2XB	52PE4J2	Red	Plastic Lens	Transformer - 480 V	Single LED
52PL5G3XY	NA	Green	Glass Lens	Transformer - 120 V	Cluster LED
52PL5G3	52PA5G3	Green	Glass Lens	Transformer - 120 V	Incandescent Bulb
52PL5G3XB	52PE5G3	Green	Glass Lens	Transformer - 120 V	Single LED
52PL4E3	52PC4E3	Green	Plastic Lens	Full Voltage - 120 V	Incandescent Bulb
52PL4E3XB	52PE4E3	Green	Plastic Lens	Full Voltage - 120 V	Single LED
52PL4D3	52PA4D3	Green	Plastic Lens	Full Voltage - 24 V	Incandescent Bulb
52PL4D3XB	52PE4D3	Green	Plastic Lens	Full Voltage - 24 V	Single LED
52PL4M3	NA	Green	Plastic Lens	LED Module - 120 V	Integrated LED
52PL4L3	NA	Green	Plastic Lens	LED Module - 24 V	Integrated LED
52PL4G3XY	NA	Green	Plastic Lens	Transformer - 120 V	Cluster LED
52PL4G3	52PA4G3	Green	Plastic Lens	Transformer - 120 V	Incandescent Bulb
52PL4G3XB	52PE4G3	Green	Plastic Lens	Transformer - 120 V	Single LED
52PL4H3	52PA4H3	Green	Plastic Lens	Transformer - 240V	Incandescent Bulb
52PL4J3	52PA4J3	Green	Plastic Lens	Transformer - 480 V	Incandescent Bulb

Stock product is subject to availability. This list may change at anytime without notice.

General Information

UL and CSA

- UL 508 Industrial Control Equipment
- CSA 22.2 No. 14-05. Industrial Control Equipment

NEMA Types 1, 3, 4, 4X, 12 and 13

IP 10, 11, 14, 52, 54, 56, 57, 67 (front), 20 (back)

CE Mark

- EN 60947-5-1 Ed. 2.2 (Low-voltage switchgear and control gear – Part 5-1: Control Circuit Devices and Switching Elements – Electromechanical Control Circuit Devices)

IEC 60529

NEMA ICS 5

Annex F-2002
High Pressure Power Wash



FAQs

1. What are the new products and features available for the 30mm pilot devices?

a - Previous Generation Improvements:

- I - Modular Lighting Modules – Enabling easy replacement and ability to order as a kit
- II - Ribbed Concentric Lens – Increasing light distribution on the Pilot Lights and Push-to-Test units
- III - Components and features – Enhancing and updating to support our customers with even better designs and aesthetics

b - New Products

- I - Integrated LED Modules
- II - Twist-to-Release
- III - 3-Position Push-to-Maintained
- IV - IEC 6094755 Rated E-Stops for European Market (includes red 2-position push-pull and twist-to-release units)

2. Can I mix new product with the old?

a - The main constraint from a product mix perspective is using one generation per grouping. For example, don't mix different generations of Pilot Lights.

3. Are the components interchangeable between generations?

a - For the most part, the answer is no. Components and accessories should be used for a specific generation.

4. How do I select products for the 30mm Pilot Devices? What cross-reference tools are available?

a - Selecting New Generation Products

- I - 30mm Pilot Devices Brochure (this document)
- II - 2010 Industrial Controls Catalog - Section 10
- III - Sielect Online Catalog (<http://sielect.sea.siemens.com>)

b - Old Generation Products

- I - 2006 Industrial Controls Catalog - Section 10
- II - Accessories can be found in the 2010 Industrial Controls Catalog - Section 10

c - Cross-Reference Tools

- I - Sielect Online Catalog (<http://sielect.sea.siemens.com>) has downloads for cross-reference tools (excel based).
- II - 30mm Pilot Devices Brochure (this document) contains cross-reference tables of stocked product.
- III - Pushbutton and Pilot Devices Internet Site has downloads for cross-reference tools (excel based).

5. What are BlackMax products?

a - BlackMax/NEMA4X provides a corrosion resistant epoxy fluorocarbon coating. Examples of the protection include: hydraulic fluid, methyl ethyl ketone, H-D lube oil, and trichloroethylene.

6. What is the difference between glass and plastic lens?

a - Plastic lens provide an attractive ribbed/grooved design. Glass lens provide lenses that are noticeably sleek and are made of a robust durable glass. Glass lens are very aesthetically sharp.

7. What is an LED Module? What is the key benefit?

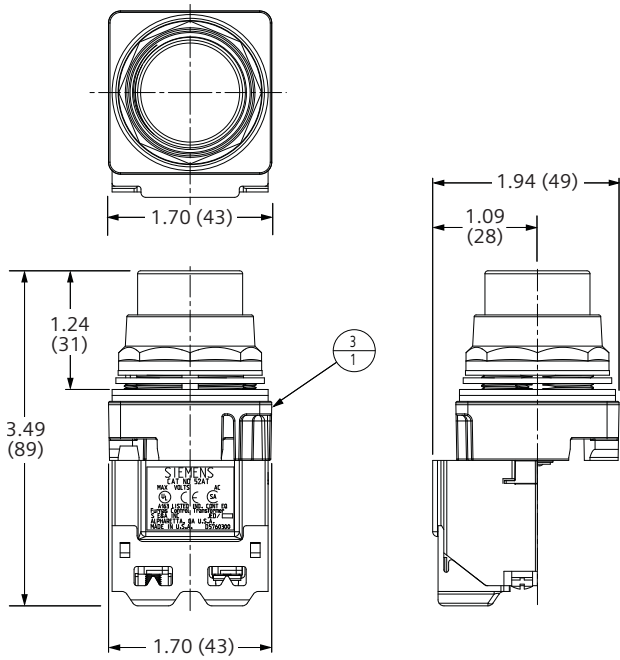
a - The integrated LED modules are a single unit combining all the features of a LED bulb and lighting module into one. These will have extended life and are the most resistant to vibration.

8. Why are stock products listed in the guide with such emphasis?

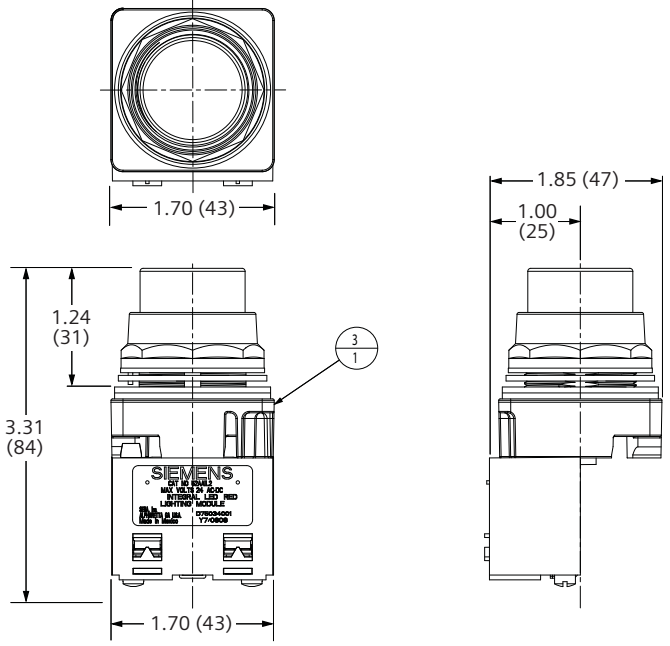
a - Choosing a stock product will generally give the quickest delivery for our Pilot Devices. Therefore, we are making every effort to provide what's available at our Distribution Center.

Dimension Drawings

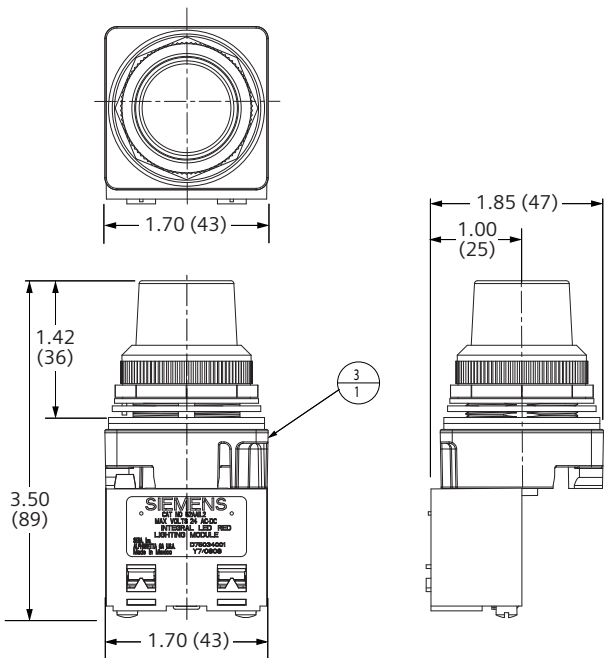
Pilot Light, Plastic Lens, Transformer or Full Voltage, Lighting Module



Pilot Light, Plastic Lens, Integral LED, Lighting Module



Pilot Light, Glass Lens, Integral LED, Lighting Module



Pilot Light, Glass Lens, Transformer or Full Voltage, Lighting Module

