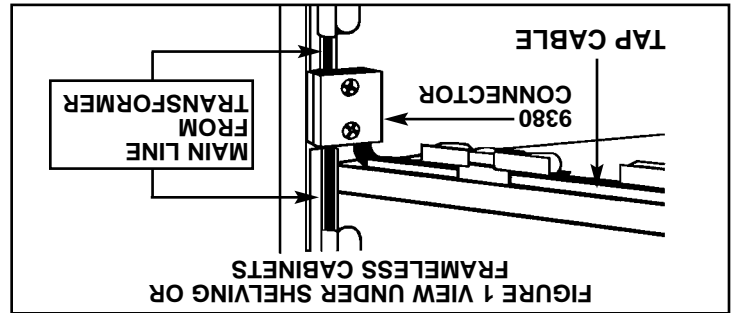
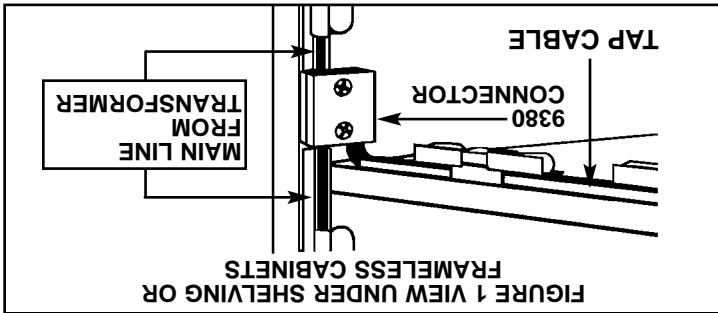


1. Press 2 conductor cable into the open side of connector base opposite the notch.
 2. Press another 2 conductor cable into the notch so that the end of the cable hits the center post and the center of the cable lines up with "V" ridge on center post.
 3. Attach connector cover with screws aligning thin lip on cover over notch.
- TO WIRE FOR "T" AND LEFT OR RIGHT CONNECTIONS**

1. Press 2 conductor cable into the open side of connector base opposite the notch.
 2. Press another 2 conductor cable into the notch so that the end of the cable hits the center post and the center of the cable lines up with "V" ridge on center post.
 3. Attach connector cover with screws aligning thin lip on cover over notch.
- TO WIRE FOR "T" AND LEFT OR RIGHT CONNECTIONS**



INSTALLATION AND SAFETY INSTRUCTIONS

FOR YOUR SAFETY

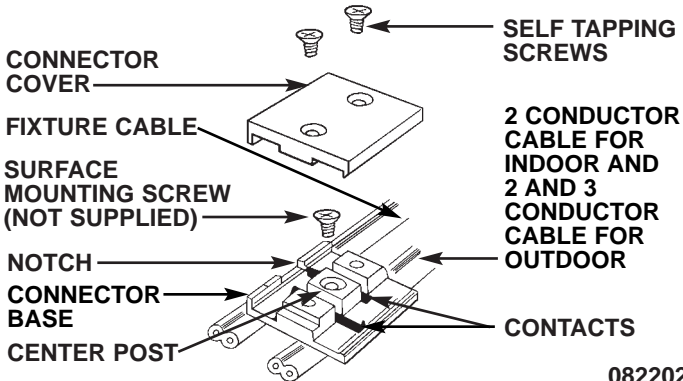
HC-126

- Max. 200w at 12V (Indoor) 105°C Cable
- Max. 375w at 24V (Indoor) 105°C Cable
- Max. 150w at 12V (Outdoor) 60°C Cable
- Max wattage after connector on tap cable.

WARNING: BE SURE ELECTRICITY TO SYSTEM YOU ARE WORKING ON IS TURNED OFF; EITHER THE FUSE REMOVED OR THE CIRCUIT BREAKER SET AT OFF.

TO MAKE WIRING CONNECTIONS USING 9380 CONNECTOR

- A. Press 2 or 3 conductor cable into the open side of the connector base.
- B. Press 2 conductor wire from fixture into other channel of connector base.
- C. Attach connector cover with screws.



WARNING: Use of other manufacturers components will void warranty, U.L. listing and create a potential safety hazard.

INSTALLATION AND SAFETY INSTRUCTIONS

FOR YOUR SAFETY

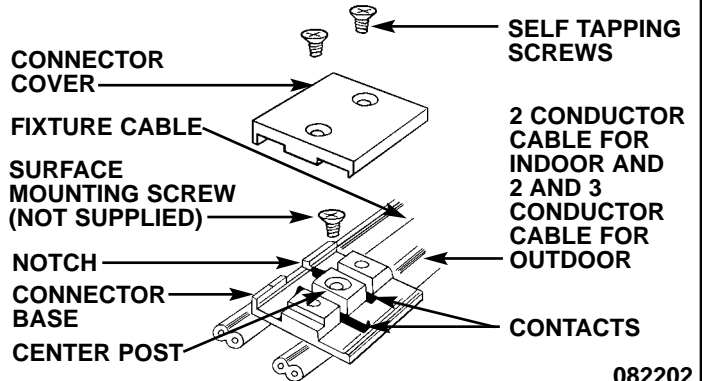
HC-126

- Max. 200w at 12V (Indoor) 105°C Cable
- Max. 375w at 24V (Indoor) 105°C Cable
- Max. 150w at 12V (Outdoor) 60°C Cable
- Max wattage after connector on tap cable.

WARNING: BE SURE ELECTRICITY TO SYSTEM YOU ARE WORKING ON IS TURNED OFF; EITHER THE FUSE REMOVED OR THE CIRCUIT BREAKER SET AT OFF.

TO MAKE WIRING CONNECTIONS USING 9380 CONNECTOR

- A. Press 2 or 3 conductor cable into the open side of the connector base.
- B. Press 2 conductor wire from fixture into other channel of connector base.
- C. Attach connector cover with screws.



WARNING: Use of other manufacturers components will void warranty, U.L. listing and create a potential safety hazard.