

Save time and money with a quick and easy solution for difficult or remote bathroom, laundry room...even kitchen installations. With SANIFLO products, you can install toilets, sinks, showers, bathtubs and laundries virtually anywhere! Give your customers a solution they never thought of...Give them Saniflo!

Saniflo products install easily in a...

- Closet
- Garage
- Spare Bedroom
- Under a stairway
- Loft/Attic
- Basement
- Pool House
- Cabins

SANIFLO
A Group SFA Company
Toll Free: 1-800-571-8191
www.saniflo.com

SANICOMPACT



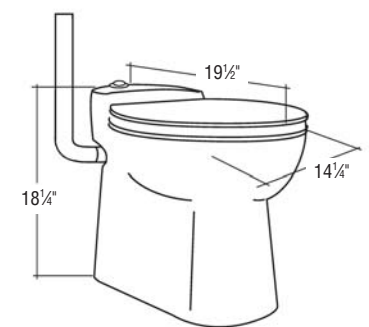
Part# 023



The SANICOMPACT is a self-contained toilet that's ideal for fitting into tight spots where conventional toilets can't fit.

- Build a half bathroom for residential applications
- Standard dual flush version uses 1.28 gpf and 1 gpf

Discharge rate at 9': 13 gal/min (49 liters/min)	Power supply: 115 V - 60 Hz
Discharge rate at 3': 16 gal/min (61 liters/min)	Amperage: 7.2 A
Discharge pipe diameter: 1"	HP: 0.3
	Temperature: Maximum 95°F (35°C)



SANIVITE



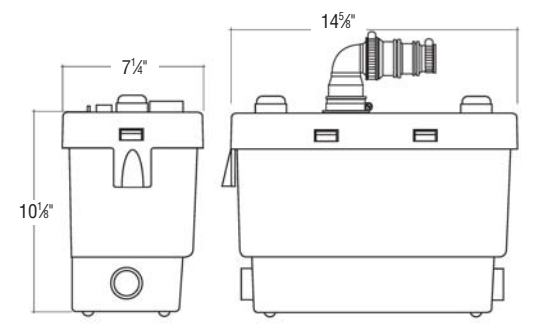
Part# 008



The SANIVITE is the perfect quiet solution to install a kitchen or sink on the ground level or in the basement.

- Ideal for heavy-duty applications as it can handle hot water and grease buildup
- Multiple inlets for various installations

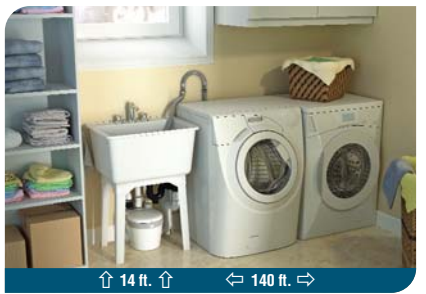
Discharge rate at 16': 18 gal/min (68 liters/min)	Power supply: 115 V - 60 Hz
Discharge rate at 3': 29 gal/min (110 liters/min)	Amperage: 4.5 A
Discharge pipe diameter: 1"	HP: 0.4
	Temperature: Maximum 140°F (60°C)



SANISWIFT



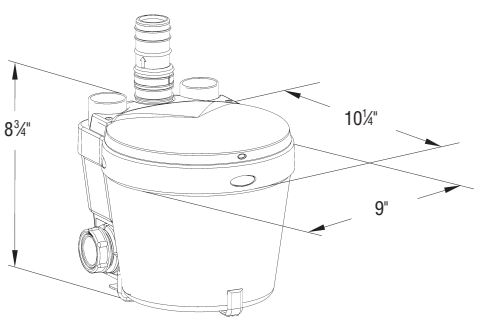
Part# 021



The SANISWIFT can handle multiple fixtures to solve the most difficult installations. Saniswift sets the standard as the ultimate gray water pump.

- Ideal for residential applications
- Powerful and economical pump with multiple inlets for various installations

Discharge rate at 14': 18 gal/min (70 liters/min)	Power supply: 115 V - 60 Hz
Discharge rate at 3': 24 gal/min (89 liters/min)	Amperage: 4.5 A
Discharge pipe diameter: 1"	HP: 0.3
	Temperature: Maximum 140°F (60°C)



SANISHOWER



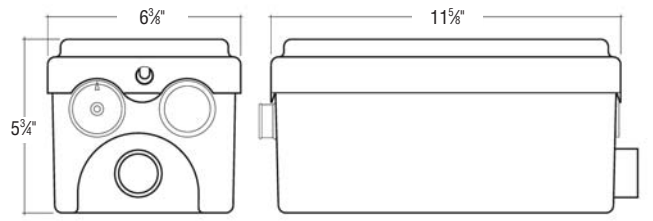
Part# 010



The SANISHOWER gives you a fast and easy way to add an additional sink or shower to your home.

- Ideal for mid-ranged applications
- Easy to install and small enough to fit under a shower base.

Discharge rate at 12': 14 gal/min (50 liters/min)	Power supply: 115 V - 60 Hz
Discharge rate at 3': 20 gal/min (77 liters/min)	Amperage: 5.5 A
Discharge pipe diameter: 3/4"	HP: 0.2
	Temperature: Maximum 104°F (40°C)



SANICUBIC® 1



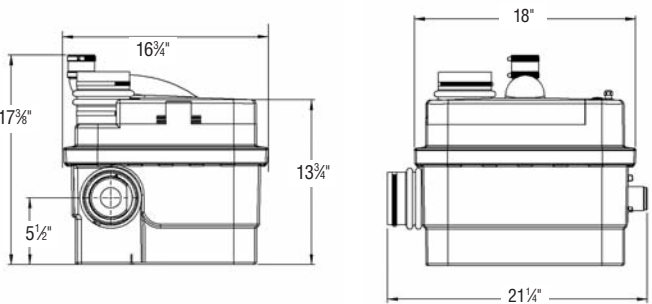
Part# 089



A simplex grinder system, fully pre-assembled with its unique above the floor installation.

- Handles multiple waste fixtures for residential and commercial applications
- Unit can be retrofitted into existing sewage ejector basins for a quick and easy pump exchange

Discharge rate at 36': 26 gal/min (98 liters/min)	Power supply: 115 Volts - 60 Hz
Discharge rate at 3': 50 gal/min (189 liters/min)	Single phase operation
Discharge pipe diameter: 1 1/2"	Amperage: 10.0 A
Motor: A powerful 1 HP grinder pump	HP: 1 HP
	Temperature: Maximum 158°F (70°C)



SANICUBIC® 2



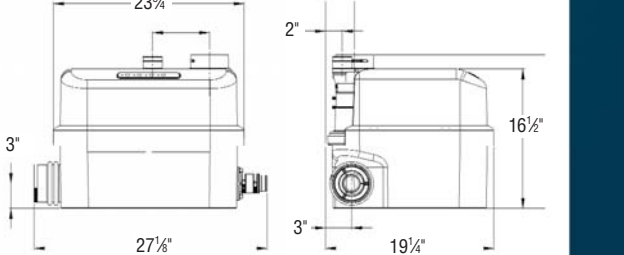
Part# 029



The ultimate duplex grinder system, fully pre-assembled with its unique above the floor installation.

- Handles multiple waste fixtures for residential and commercial applications
- Visual LED and audible alarm mounted on the unit

Discharge rate at 36': 38 gal/min (144 liters/min)**	Power supply: 220/240
Discharge rate at 3': 90 gal/min (341 liters/min)**	Volts - 60 Hz Single phase operation
Discharge pipe diameter: 1 1/2"	Amperage: 13.0 A
Motor: Two powerful 1 HP grinder pumps	HP: 1 HP per motor
	Temperature: Maximum 158°F (70°C)



SANIFLO

The original plumbing solution since 1958

EFFICIENCY
ACCESSIBILITY
SILENCE
EXPERIENCE
RELIABLE
INNOVATIVE
EASY



Scan with your smart phone to watch a clip of the Saniflo system operating principle!

Install a bathroom ANYWHERE without any major construction

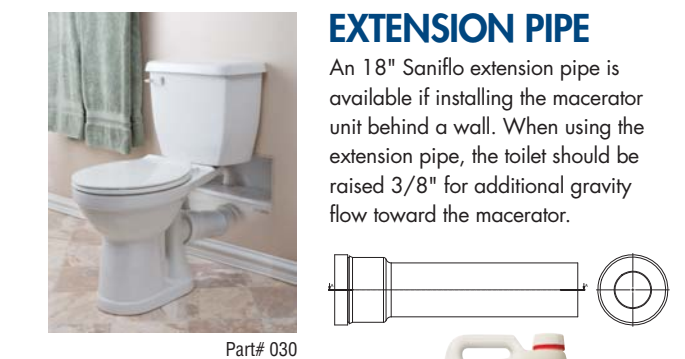
www.saniflo.com



White – Round bowl with insulated toilet tank
Toilet: Part # 003 Tank: Part # 005
1.28 gpf system available Spring 2012



White – Elongated bowl* with insulated toilet tank
Toilet: Part # 007 Tank: Part # 005
1.28 gpf system available Spring 2012 *ADA compliant.



EXTENSION PIPE

An 18" Saniflo extension pipe is available if installing the macerator unit behind a wall. When using the extension pipe, the toilet should be raised 3/8" for additional gravity flow toward the macerator.

SANITOP



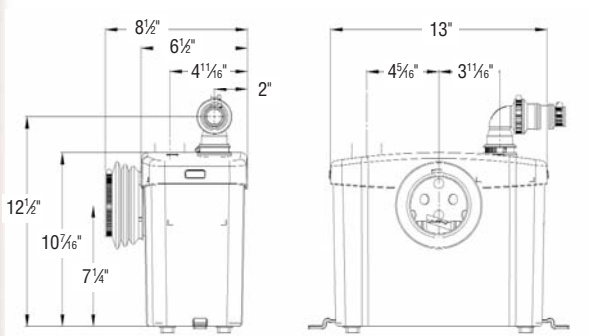
Part# 017



The SANITOP offers a quiet macerating pumping system that's ideal to install a toilet with a sink.

- Build a half bathroom for residential applications
- The smallest and quietest macerator on the market

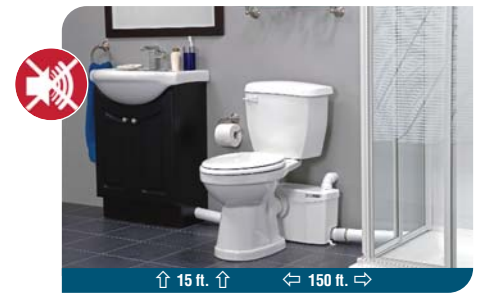
Discharge rate at 12': 14 gal/min (53 liters/min)	Power supply: 115 V - 60 Hz HP: 0.3
Discharge rate at 3': 21 gal/min (80 liters/min)	Amperage: 5.0 A
Discharge pipe diameter: 3/4"	Temperature: Maximum 104°F (40°C)



SANIPLUS



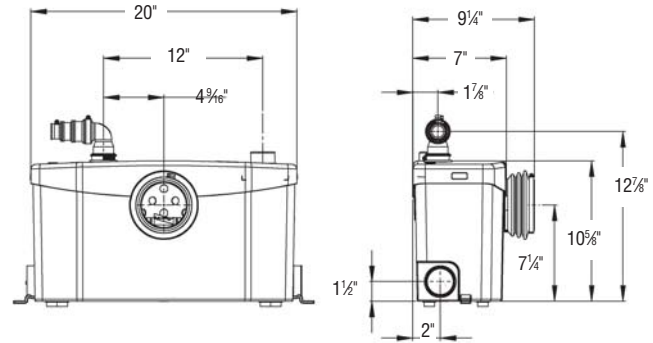
Part# 002



The SANIPLUS offers a high level of styling that makes it the ideal centerpiece for a modern bathroom.

- Build a complete bathroom for residential applications
- Install a bathroom virtually anywhere without breaking the concrete

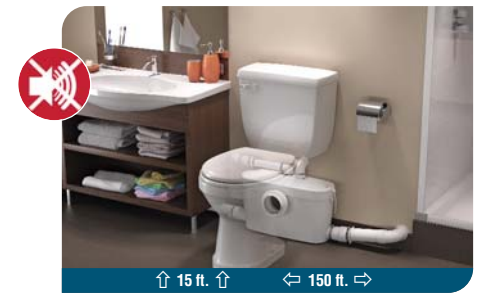
Discharge rate at 15': 17 gal/min (66 liters/min)	Power supply: 115 V - 60 Hz Amperage: 4.5 A
Discharge rate at 3': 27 gal/min (103 liters/min)	HP: 0.5
Discharge pipe diameter: 3/4"	Temperature: Maximum 104°F (40°C)



SANIACCESS3



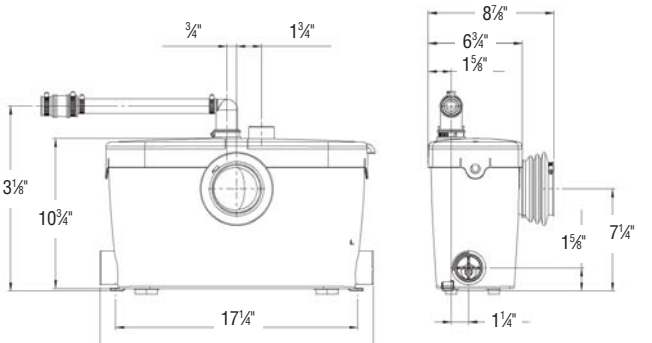
Part# 082



The SANIACCESS3 is used to install a complete bathroom. Two service panels atop the unit allows fast and easy access to internal components.

- Service panels provide direct access for easy inspection and servicing
- Periodic maintenance can be accomplished without having to disconnect the unit from the toilet or plumbing system

Discharge rate at 15': 17 gal/min (66 liters/min)	Power supply: 115 V - 60 Hz Amperage: 4.5 A
Discharge rate at 3': 27 gal/min (103 liters/min)	HP: 0.5
Discharge pipe diameter: 3/4"	Temperature: Maximum 104°F (40°C)



SANIBEST Pro



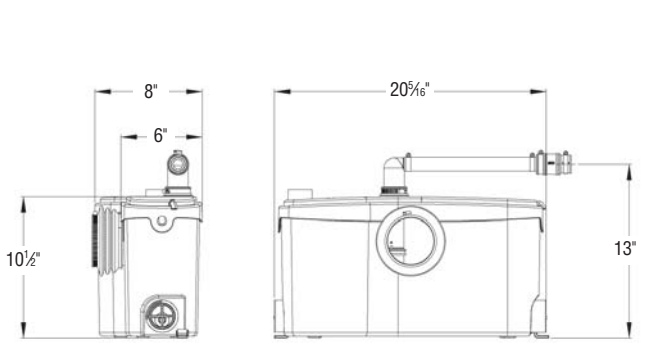
Part# 013



SANIBEST PRO is ideal for situations where you do not control the use; such as a guest bathroom, rental unit or office building.

- Build a complete bathroom and more; for residential and commercial applications
- It is designed to handle accidental flushing of sanitary items

Discharge rate at 25': 19 gal/min (72 liters/min)	Power supply: 115 V - 60 Hz Amperage: 9.0 A
Discharge rate at 3': 38 gal/min (145 liters/min)	HP: 1
Discharge pipe diameter: 3/4"	Temperature: Maximum 104°F (40°C)



SANIGRIND Pro



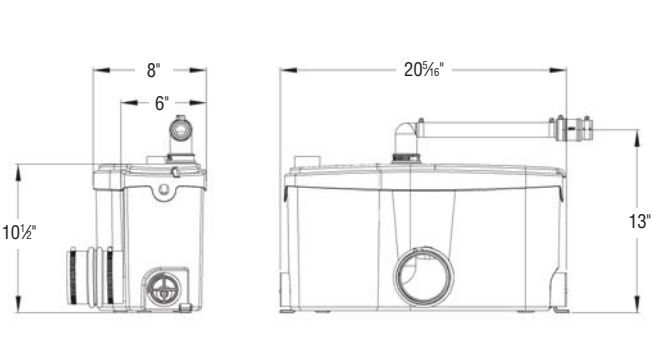
Part# 014



The SANIGRIND PRO is a grinder unit that is designed to work with a standard bottom outlet toilet.

- Build a complete bathroom and more; for residential and commercial applications
- It is designed to handle accidental flushing of sanitary items. Great for retrofitting applications.

Discharge rate at 25': 19 gal/min (72 liters/min)	Power supply: 115 V - 60 Hz Amperage: 9.0 A
Discharge rate at 3': 38 gal/min (145 liters/min)	HP: 1
Discharge pipe diameter: 3/4"	Temperature: Maximum 104°F (40°C)



SANIPACK



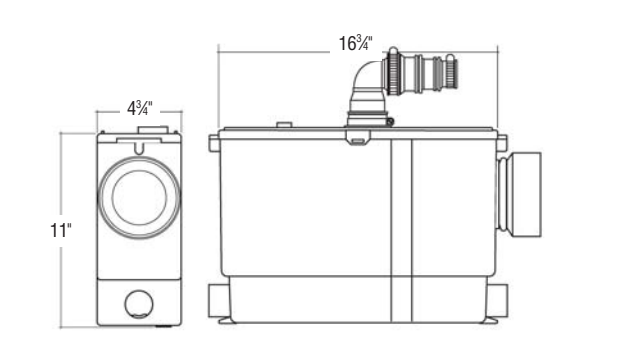
Part# 011



The depth of the SANIPACK enables the unit to be installed directly in the wall.

- Build a complete bathroom for residential applications
- Designed to work with wall-hung systems not supplied by Saniflo

Discharge rate at 9': 13 gal/min (48 liters/min)	Power supply: 115 V - 60 Hz Amperage: 5.4 A
Discharge rate at 3': 17 gal/min (66 liters/min)	HP: 0.3
Discharge pipe diameter: 3/4"	Temperature: Maximum 104°F (40°C)



SANISTAR



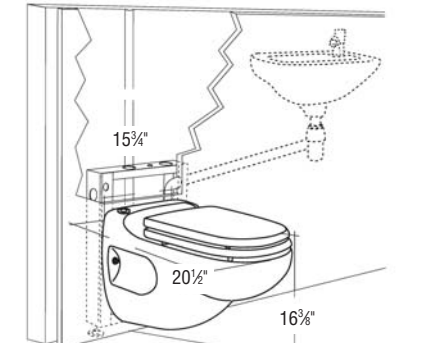
Part# 012



The SANISTAR is a wall-hung system offering a great image and a significantly improved level of hygiene.

- Build a half bathroom for residential applications with a European style appearance
- Standard dual flush version uses 1.28 gpf and 1 gpf

Discharge rate at 9': 9 gal/min (34 liters/min)	Power supply: 115 V - 60 Hz Amperage: 9.0 A
Discharge rate at 3': 15 gal/min (58 liters/min)	HP: 0.4
Discharge pipe diameter: 1"	Temperature: Maximum 95°F (35°C)



SUITS ALL SANIFLO PUMPS, PROLONGS LIFE OF UNIT, CLEANS & DISINFECTS



SANIFLO SANIALARM! – SECURITY FOR YOUR PEACE OF MIND.

The SaniAlarm is battery operated and can be installed on most Saniflo macerating units and gray water pumps. It has been designed to be installed on new or existing Saniflo installations as it is quickly fitted onto the lid of the Saniflo unit. **Note:** Saniflo recommends using a SaniAlarm for a behind the wall installation.



*Suitable for use with Saniplus, Sanibest Pro, Sanipack, Sanigrind Pro and Sanivite

Part# 050