

206/226/246/276



226



206/246



276

⚠ WARNING!


Read this Operator's Manual carefully before using this tool. Failure to understand and follow the contents of this manual may result in electrical shock, fire and/or serious personal injury.

Table of Contents


Safety Symbols	ii
General Safety Rules	1
Work Area Safety	1
Personal Safety	1
Tool Use and Care	1
Service	1
Specific Safety Information	1
Description And Specifications	
Description	1
226 In-Place Soil Pipe Cutter	2
206 and 246 Soil Pipe Cutters	2
276 Soil Pipe Cutter	2
Specifications	3
Pre-Operation Inspection/Maintenance	3
Tool Set-Up and Operation	3
226 Set-Up and Operation	4
206/246 Set-Up and Operation	4
276 Set-Up and Operation	4
Cutting Tips	5
Lengthening Your Soil Pipe Cutter Chain	5
To Add A Chain Extension Assembly To You Chain	5
Lifetime Warranty	Back Cover


Safety Symbols

In this operator’s manual and on the product, safety symbols and signal words are used to communicate important safety information. This section is provided to improve understanding of these signal words and symbols.

 This is the safety alert symbol. It is used to alert you to potential personal injury hazards. Obey all safety messages that follow this symbol to avoid possible injury or death.

 **WARNING** WARNING indicates a hazardous situation which, if not avoided, could result in death or serious injury.

 This symbol means read the operator’s manual carefully before using the equipment. The operator’s manual contains important information on the safe and proper operation of the equipment.

 This symbol means always wear safety glasses with side shields or goggles when handling or using this equipment.

General Safety Rules

⚠ WARNING

Read and understand all instructions. Failure to follow all instructions listed below may result in electric shock, fire, and/or serious personal injury.

SAVE THESE INSTRUCTIONS!

Work Area Safety

- **Keep your work area clean and well lit.** Cluttered or dark areas invite accidents.
- **Do not operate tools in explosive atmospheres, such as in the presence of flammable liquids, gases, or dust.** Tools can create sparks which may ignite the dust or fumes.
- **Keep children and by-standers away while operating tools.** Distractions can cause you to lose control.
- **Keep floors dry and free of slippery materials such as oil.** Slippery floors invite accidents.

Personal Safety

- **Stay alert, watch what you are doing and use common sense when operating tools. Do not use tools while you are tired or under the influence of drugs, alcohol, or medication.** A moment of inattention while operating tools may result in serious personal injury.
- **Use personal protective equipment. Always wear eye protection.** Protective equipment such as dust mask, non-skid safety shoes, hard hat, or hearing protection used for appropriate conditions will reduce personal injuries.
- **Do not overreach. Keep proper footing and balance at all times.** Proper footing and balance enables better control of the tool in unexpected situations.

Tool Use and Care

- **Do not force tool. Use the correct tool for your application.** The correct tool will do the job better and safer at the rate for which it is designed.
- **Store idle tools out of the reach of children and do not allow persons unfamiliar with the tool or these instructions to operate the tool.** Tools can be dangerous in the hands of untrained users.
- **Maintain tools. Check for misalignment or binding of moving parts, breakage of parts and any other condition that may affect the tool's operation. If damaged, have the tool repaired before use.** Many accidents are caused by poorly maintained tools.
- **Keep handles dry and clean; free from oil and grease.** Allows for better control of the tool.

Service

- **Have your tool serviced by a qualified repair person using only identical replacement parts.** This will ensure that the safety of the tool is maintained.

Specific Safety Information

⚠ WARNING

This section contains important safety information that is specific to this tool.

Read these precautions carefully before using Soil Pipe Cutters to reduce the risk of serious personal injury.

SAVE THESE INSTRUCTIONS!

If you have any question concerning this Ridge Tool product:

- Contact your local RIDGID distributor.
- Visit www.RIDGID.com or www.RIDGID.eu to find your local Ridge Tool contact point.
- Contact Ridge Tool Technical Services Department at techservices@ridgid.com, or in the U.S. and Canada call (800) 519-3456.
- **Keep others out of work area while cutting. Stand clear of the pipe.** Cutting can cause pieces of pipe to be thrown with considerable force. This can cause striking injuries, eye injuries, or other serious personal injury.
- **Always wear Safety Glasses.** Protects your eyes against dirt and other foreign objects.
- **Do not exceed the recommended cutting capacity of the tool.** Cutting pipe that is too large or the wrong type could overload the soil pipe cutter and cause tool failure and or serious personal injury. Do not extend the chain to cut soil pipe greater than 8" in diameter.
- **Do not use handle extensions or power tools to activate the soil pipe cutter.** Handle extensions (cheaters) can slip and cause serious injury. Extended handles or power tools can overload the soil pipe cutter and cause tool failure and or serious personal injury.

Description And Specifications

Description

RIDGID® Soil Pipe Cutters are used to cut a variety of cast iron soil pipe and can also be used on concrete and clay pipe. All RIDGID Soil Pipe Cutters use chains equipped with cutter wheels that are tightened around the pipe until the pipe breaks. The 226, 206 and 276 all use the same chain assembly, while the 246 is supplied with a larger chain. All tools come standard with enough chain to

cut pipe up to 6" nominal diameter, and with the addition of one chain extension can cut pipe up to 8" nominal diameter. See the *Soil Pipe Cutter Capacity Chart* for specific information on the types of material and sizes cut with each.

Soil Pipe Cutter Capacity Chart

Model				Material/Size
226	206	276	246	
*(1)	*(1)	*(1)	*(1)	Clay pipe, 8"
*	*	*	*	Service weight cast iron solid pipe, 8"
*	*	*	*	No hub cast iron soil pipe, 8"
•	•	•	•	Concrete pipe, 4" - 6"
•	•	•	•	Clay pipe, 1½" - 6"
			•	Class 22 water main, 4"
			•	Extra heavy-duty cast iron soil pipe, 2" - 5"
•	•	•	•	Service weight cast iron soil pipe, 1½" - 6"
•	•	•	•	No hub cast iron soil pipe, 1½" - 6"

• Standard Length Chain. *Chain with One Chain Extension.
 (1) Up to 15" Clay Pipe only can be cut with extended chain.

226 In-Place Soil Pipe Cutter



Figure 1 – 226 Soil Pipe Cutter

The RIDGID 226 In-Place Soil Pipe Cutter is a compact tool (17" long) designed to cut hub and no-hub soil pipe, especially where space is limited. The handle is removable to allow use in tight spaces. The feedscrew is equipped with a hand knob for fast adjustment, and a 15" long ½" drive ratchet is supplied for operation. If needed, the 226 can also be operated with any ½" drive ratchet or 15/16" wrench. The 226 uses a unique hooking mechanism to make hooking the chain easier.

The 226 In-Place Soil Pipe Cutter is protected under various U.S. and International patents, including U.S. Patent 6,141,876.

206 and 246 Soil Pipe Cutters



Figure 2 – 206/246 Soil Pipe Cutter

The RIDGID 206 and 246 Soil Pipe Cutters utilize an integral ratchet handle centered on the pipe. This is especially useful when cutting pipe in trenches, and helps keep the width of the trench to a minimum. Both use a unique hooking mechanism to make hooking the chain easier. The 206 uses the same chain as the 226 and 276, while the chain on the 246 is larger and allows it to cut 4" class 22 water main and 2" – 5" extra heavy duty soil pipe.

276 Soil Pipe Cutter



Figure 3 – 276 Soil Pipe Cutter

The RIDGID 276 Soil Pipe Cutter is designed to allow soil pipe to be cut in a single stroke. This allows repeated cuts to be made quickly.

Specifications

Catalog No.	Model No.	Description	Capacity		Weight		Std. Pack	Replmt. Chain Cat #
			in.	mm	lb.	kg		
68650	206	Soil Pipe Cutter No Hub	1 1/2-6	50-150	18	8.2	1	33670
69982	226	In-Place Soil Pipe Cutter	1 1/2-6	50-150	18	8.2	1	33670
32900	246	Soil Pipe Cutter	1 1/2-6	50-150	25	11.3	1	34575
74207	276	Soil Pipe Cutter	1 1/2-6	50-150	23 3/4	11.7	1	33670
33665	206/226/276	Chain Extension Assy.*	-	-	1	3.5	1	-
34570	246	Chain Extension Assy.*	-	-	1	3.5	1	-
70437	-	226 Ratchet	-	-	-	-	1	-

* Do not use more than one chain extension except for use with clay pipe up to 15'.

Pre-Operation Inspection/Maintenance

⚠ WARNING

Before each use, inspect and maintain your soil pipe cutter and correct any problems to reduce the risk of serious injury from striking or impact injuries and other causes and to prevent soil pipe cutter damage.

- Clean the soil pipe cutter and remove all dirt, oil, grease and debris. If needed, the chain can be cleaned with a wire brush. This aids in inspection and helps prevent the tool from slipping from your grip during use.
- Inspect the soil pipe cutter for the following items:
 - Proper assembly and completeness
 - Broken, cracked, missing, bent or binding parts
 - Excessive corrosion and wear
 - Smooth, free movement of ratchet, screws, chain and linkages
 - Presence and readability of warning labels
- Inspect the chain for signs of overload or other damage. There should be no significant gaps between the plates of the chain. If there are large gaps between the links of the chain or other damage, the chain should be replaced. Check the cutter wheels for wear and damage. Worn and damaged cutter wheels increase cut force and can cause poor quality cuts.
- On the 226 Soil Pipe Cutter, press the release button in the center of the ratchet head and place into the end of the feedscrew. The ratchet should lock firmly into place. This helps to prevent the ratchet from coming loose from the cutter when in use. If using a different ratchet or wrench, be aware that it could come loose during use.
- If any problems are found, do not use the soil pipe cutter until corrected.
- If needed, lubricate pivot points and the chain with a light lubricating oil. Wipe any excess oil off.

Tool Set-Up and Operation

⚠ WARNING



Follow set up and operating instructions to reduce the risk of serious injury from striking or impact injuries and other causes and prevent machine damage.

Keep others out of work area while cutting. Stand clear of the pipe. Cutting can cause pieces of pipe to be thrown with considerable force. This can cause striking injuries, eye injuries, or other serious personal injury.

Always wear eye protection to protect your eyes against dirt and other foreign objects.

- Check work area for adequate lighting and a clear, level, stable place to work.
- Inspect the pipe to be cut. Determine the size and type of material. If cutting pipe that is already in service, determine the pipe contents.
- Determine the correct pipe cutter for the application. Other pipe cutters can be found in the RIDGID Catalog at www.RIDGID.com or www.RIDGID.eu. RIDGID soil pipe cutters can be used for soil pipe up to a maximum of 8" diameter. See *Specification Section*.
- Make sure that the soil pipe cutter has been properly inspected.
- Prepare the pipe to be cut.
 - Take any appropriate steps required to drain the pipe and/or deal with any potential spillage.
 - Clean mud or corrosion off of the pipe. Excessive corrosion or mud can cause poor quality cuts and damage cutter wheels.
 - Make sure there is enough room to get the chain around the pipe. The 206/226 and 276 need approximately 1 1/2" around the pipe for the chain to fit, the 246, about 2". If cutting loose pipe, to protect the cutter wheels from damage against concrete or other hard surfaces, place the pipe on short stands or wood block to get the pipe off the floor or work on a softer surface like a piece of plywood.
 - When cutting short sections of pipe, if possible, restrain the pipe to prevent it from being thrown when cut. This can be done by placing a smaller piece of pipe or lumber through the center of the pipe, or by other methods.

6. For all of the soil pipe cutters, the tool must be fully open and the chain snugly wrapped around the pipe before hooking the chain. If not, the wrong pin may be hooked and the cut may not be able to be completed. This can also cause the cutter to jam. If that happens, fully open the tool and move the chain to the next tighter chain pin and continue operation as described.
7. Choose a spot to operate the cutter from. Keep in mind that when the pipe is cut, parts of it may be thrown. Make sure that the area is clear of others or objects that could be struck by pipe. Be aware that when the pipe is cut the soil pipe cutter and pipe could drop or fall.

226 Set-Up and Operation

The handle of the 226 Soil Pipe Cutter can be removed for use in tight spaces. Remove the two bolts/nuts that retain the handle to the arms of the cutter and remove the handle. Re-install and firmly tighten the bolts/nuts in the arms of the cutter before use. The handle can be placed in any of four positions if needed.

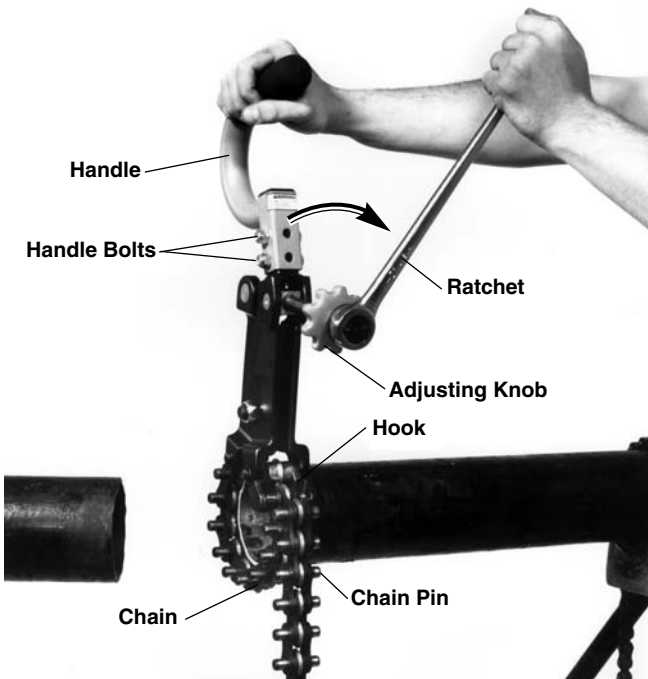


Figure 4 – Using the 226 Soil Pipe Cutter

1. Grip the adjusting knob of the soil pipe cutter and fully open.
2. Place the soil pipe cutter on the pipe so the cutter wheels line up with the desired cut point. Make sure both hooks are lying on the pipe with the open side up.
3. Wrap the chain snugly around the pipe and place the nearest chain pin into the hooks.

4. Make sure that the cutter wheels are square to the pipe and at the desired location. Turn the adjusting knob to firmly tighten the chain around the pipe.
5. Press the release button in the center of the ratchet head and place into the end of the feedscrew. The ratchet should lock firmly into place. If using a different wrench, it may not lock in place and may come loose during operation. Make sure that the ratchet is set to tighten the feedscrew.
6. Assume a stable stance, and with a firm grip on the handle, tighten the feedscrew with the ratchet. Continue tightening until the pipe is cut.

206/246 Set-Up and Operation

1. Lift and turn the ratchet knob to the neutral position (pin out of the groove). Grip the adjusting knob of the soil pipe cutter and fully open.

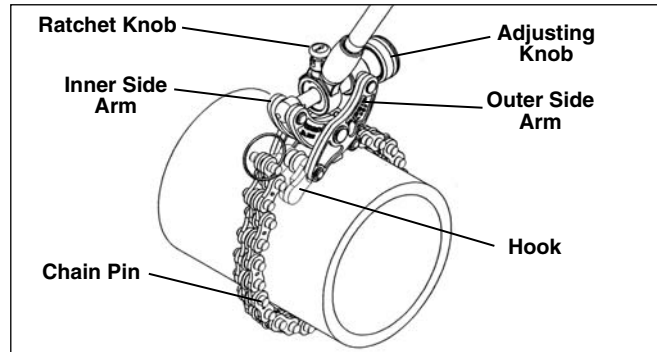


Figure 5 – 206/246 Soil Pipe Cutter

2. If possible, while straddling the longest section of the pipe, put the adjusting knob to your right. When cut, the short section of pipe will be away from you.
3. Place the soil pipe cutter on the pipe so that the cutter wheels are lined up with the desired cut point. Make sure both hooks are lying on the pipe with the open side up.
4. Wrap the chain snugly around the pipe and place the nearest chain pin into the hooks.
5. Make sure that the cutter wheels are square to the pipe and at the desired location. Turn the adjusting knob to firmly tighten the chain around the pipe. **DO NOT** try to use the adjusting knob to cut the pipe – this can damage the soil pipe cutter.
6. Turn the ratchet knob in the close direction so that the arrow points to the word CUT on the ratchet housing.
7. Assume a stable stance, and with a firm grip on the handle, move the handle toward the pipe to tighten the chain. Continue ratcheting and tightening until the pipe is cut.

IMPORTANT

If the ratcheting action stops before the pipe is cut, the tool has been jammed. **DO NOT FORCE** the handle or adjusting knob. Lift and turn the ratchet knob so that the arrow points to the word **OPEN** on the ratchet housing. Hold the ratchet knob in this position while moving the handle in that direction to unjam the tool. Fully open the tool and move the chain to the next tighter chain pin and continue operation as described.

276 Set-Up and Operation

Once the 276 Soil Pipe Cutter is adjusted for a given size of pipe, it usually requires no further adjustment for subsequent cuts.

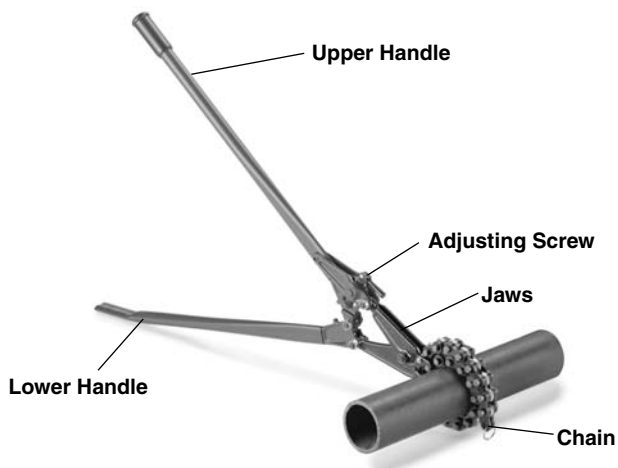


Figure 6 – 276 Soil Pipe Cutter

1. Place the jaws of the tool next to and square to the pipe, with the chain under or around the pipe. If cutting on ground, the adjusting screw should be up.
2. Open the handles to 90 degrees and support the upper handle with one hand.
3. With the other hand, pull the chain tight around the pipe and insert the closest chain pin into the hook area of the jaw. Make sure that the excess chain is clear of the mechanism.
4. Make sure the chain is square to the pipe and in the proper location, and carefully close the jaws of the soil pipe making sure that the chain pin stays hooked. Using the adjusting screw, adjust so that the handles are approximately 45 to 70 degrees apart for cast iron pipe and 20 to 45 degrees apart for clay or concrete pipe. If you cannot get a proper angle using the adjusting screw, the chain must be disengaged from the hooks, the jaws opened further with the adjusting screw, and the chain hooked to the next pin.
5. Assume a stable stance. If working with one handle on the ground, place one foot on the flat of the lower han-

dle. With a firm grip on the handle, exert even downward force until the pipe is cut.

Cutting Tips

Once the appropriate pin for a given size pipe has been determined; marking the pin can save time setting up subsequent cuts of the same size.

For cleaner cuts, instead of tightening the chain until the pipe is cut, tighten the chain enough to mark the pipe. Then loosen the chain and slightly rotate the pipe or the tool and make another set of marks. Do this several times to create marks all the way around the pipe, then tighten the chain and break the pipe.

When carrying your soil pipe cutter, do not drag the chain. This can wear and damage the cutter wheels, increasing cut force and cause poor cut quality.

Lengthening Your Soil Pipe Cutter Chain

⚠ WARNING Do not exceed the recommended cutting capacity of the tool. Cutting pipe that is too large or the wrong type could overload the soil pipe cutter and cause tool failure and or serious personal injury.

All RIDGID Soil Pipe Cutters come equipped with enough chain to cut 6" pipe. The addition of one Chain Extension Assembly (see specification table for catalog information) will increase your chain length enough to allow 8" soil pipe to be cut. If you are cutting clay pipe **ONLY**, you can extend your chain to allow up to 15" clay pipe to be cut. Do not cut types or sizes of pipes outside the range shown in the cutter capacity chart, as that could overload and damage the cutter or cause injury.

To Add A Chain Extension Assembly To Your Chain

1. Remove the ring from the end of the chain.
2. Place the outside links of the extension over the inside links of the chain, and place the cutter wheel between the inside links.
3. Place the area of the chain to be linked in a press and properly support. Align the holes in the links and cutter wheel and place the pin in the hole.
4. Carefully press the pin in. Make sure to center the pin relative to the chain links.
5. Reattach the ring to the end of the extended chain.

Coupe-tubes à chaîne

206/226/246/276



AVERTISSEMENT

Familiarisez-vous bien avec le mode d'emploi avant d'utiliser l'appareil. L'incompréhension ou le non-respect des consignes ci-après augmenteraient les risques de choc électrique, d'incendie et/ou d'accident grave.

RIDGID®

Table des matières

Symboles de sécurité	7
Consignes générales de sécurité	7
Sécurité des lieux	7
Sécurité individuelle	7
Utilisation et entretien de l'outil	7
Service après-vente	7
Consignes de sécurité spécifiques	8
Description et caractéristiques techniques	8
Description	8
Coupe-tubes à chaîne n° 226	8
Coupe-tubes à chaîne n° 206 et n° 246	9
Coupe-tubes à chaîne n° 276	9
Caractéristiques techniques	9
Inspection préalable et entretien	9
Préparation et utilisation de l'outil	10
Préparation et utilisation du 226	10
Préparation et utilisation des 206 et 246	11
Préparation et utilisation du 276	12
Conseils d'utilisation	12
Pour rallonger la chaîne du coupe-tubes	12
Rajout d'une rallonge de chaîne	12
Garantie à vie	Page de garde

Symboles de sécurité

Des symboles et mots clés spécifiques, utilisés à la fois dans ce mode d'emploi et sur l'appareil lui-même, servent à signaler d'importants risques de sécurité. Ce qui suit permettra de mieux comprendre la signification de ces mots clés et symboles.



Ce symbole sert à vous avertir aux dangers physiques potentiels. Le respect des consignes qui le suivent vous permettra d'éviter les risques de blessures graves ou mortelles.

AVERTISSEMENT

Le terme AVERTISSEMENT signifie une situation dangereuse potentielle qui, faute d'être évitée, serait susceptible d'entraîner la mort ou de graves blessures corporelles.



Ce symbole indique la nécessité de lire le manuel soigneusement avant d'utiliser le matériel. Le mode d'emploi renferme d'importantes informations concernant la sécurité d'utilisation du matériel.



Ce symbole indique le port obligatoire de lunettes de sécurité intégrales lors de la manipulation ou utilisation du matériel.

Consignes générales de sécurité

AVERTISSEMENT

Familiarisez-vous avec l'ensemble du manuel. Le non-respect des consignes ci-après augmenterait les risques de choc électrique, incendie et/ou de graves blessures corporelles.

CONSERVEZ CES INSTRUCTIONS !

Sécurité des lieux

- **Assurez la propreté et le bon éclairage des lieux.** Les zones encombrées ou mal éclairées sont une invitation aux accidents.
- **N'utilisez pas d'outils en présence de liquides, émanations ou poussières combustibles.** Les outils peuvent créer des étincelles susceptibles d'enflammer les poussières et émanations combustibles.
- **Éloignez les enfants et les curieux en cours d'opération.** La moindre distraction risque de vous faire perdre le contrôle de l'outil.
- **Nettoyez systématiquement les sols mouillés ou gras.** Les sols glissants sont une invitation aux accidents.

Sécurité individuelle

- **Soyez attentif et faites preuve de bon sens lors de l'utilisation de ces outils. N'utilisez pas ce type d'outil lorsque vous êtes fatigué ou sous l'influence de l'alcool ou de médicaments.** Le moindre moment d'inattention en cours d'opération risque de provoquer de graves blessures corporelles.
- **Prévoyez les équipements de protection individuelle nécessaires. Portez systématiquement des lunettes de sécurité.** Le cas échéant, le port de masques à poussière, de chaussures de sécurité an-

tidérapantes, du casque, et/ou d'une protection auditive permettra de limiter les risques de blessure et de lésion.

- **Ne vous mettez pas en porte-à-faux. Maintenez un bon équilibre et une bonne assise à tout moment.** Une bonne assise et un bon équilibre vous permettront de mieux parer aux situations inattendues.

Utilisation et entretien de l'outil

- **Ne forcez pas l'outil. Prévoyez l'outil le mieux adapté à l'intervention envisagée.** L'outil approprié assurera de meilleurs résultats et une plus grande sécurité lorsqu'il fonctionne au régime prévu.
- **Rangez les outils non utilisés hors de la portée des enfants et des individus non initiés.** Ce type d'outil peut devenir dangereux s'il tombe entre les mains d'un novice.
- **Entretenez vos outils. Examinez-les pour signes de désalignement, de grippage, de rupture ou toute autre anomalie susceptible de nuire à leur bon fonctionnement. Le cas échéant, faites réparer l'outil avant de l'utiliser.** De nombreux accidents sont le résultat d'outils mal entretenus.
- **Nettoyez systématiquement les poignées de l'outil jusqu'à éliminer toutes traces d'humidité et de graisse.** Cela assurera une meilleure prise en main et contrôle de l'outil.

Service après-vente

- **Confiez l'entretien et la révision de l'outil à un réparateur qualifié garantissant l'utilisation exclusive de pièces de rechange d'origine.** Cela assurera la sécurité de l'outil.

Consignes de sécurité spécifiques

⚠ AVERTISSEMENT

Ce chapitre s'adresse aux risques spécifiquement associés à ce type d'outil.

Afin de limiter les risques de grave blessure corporelle, familiarisez-vous avec les consignes suivantes avant d'utiliser le coupe-tubes à chaîne.

CONSERVEZ CES INSTRUCTIONS !

En cas de questions concernant cet outil :

- Contactez le distributeur RIDGID le plus proche.
- Consultez les sites www.RIDGID.com ou www.RIDGID.eu pour obtenir les coordonnées du représentant RIDGID le plus proche.
- Contactez les services techniques de Ridge Tool à techservices@ridgid.com ou (à partir des États-Unis ou du Canada) en composant le (800) 519-3456.
- **Ne laissez personne s'approcher lors de la coupe des tuyaux. Tenez-vous à l'écart du tuyau.** L'opération de coupe risque d'entraîner de violentes projections de copeaux susceptibles de provoquer des blessures contondantes, oculaires ou autres.
- **Portez systématiquement des lunettes de sécurité.** Celles-ci protégeront vos yeux contre la poussière et autres débris.
- **Respectez les limites de capacité de l'outil.** Toute tentative de coupe de tuyaux de type ou de taille non conformes augmenterait les risques de rupture de l'outil et de graves blessures corporelles. Ne pas rallonger la chaîne pour tenter de couper des tuyaux de plus de 8 pouces de diamètre.
- **Ne vous servez pas de bras de levier ou d'appareils électriques pour mouvoir un coupe-tubes à chaîne.** Les bras de levier risquent de s'échapper et provoquer de sérieuses blessures. L'utilisation d'un bras de levier ou d'un système d'entraînement risque aussi de surcharger le coupe-tubes au point de rupture et provoquer de graves blessures corporelles.

Description et caractéristiques techniques

Description

Les coupe-tubes à chaîne RIDGID® sont plus particulièrement prévus pour la coupe des tuyaux d'évacuation en fonte, mais ils peuvent également servir à la coupe des tuyaux en béton ou en grès. Tous les coupe-tubes à chaîne RIDGID sont équipés de chaînes à molettes qui permettent de sectionner les conduites par simple serrage rotatif. Les modèles 226, 206 et 276 utilisent tous la même

chaîne, tandis que le modèle 246 est équipé d'une chaîne plus importante. Ces outils sont livrés avec une chaîne suffisamment longue pour couper des tuyaux allant jusqu'à 6 pouces de diamètre nominal, mais l'ajout d'une seule extension de chaîne leur permet de couper des tuyaux d'une section nominale allant jusqu'à 8 pouces. Reportez-vous au tableau Capacité de coupe pour les types et sections de tuyaux applicables.

Capacité de coupe

Modèle				Composition / Section maxi
226	206	276	246	
* (1)	* (1)	* (1)	* (1)	Grès Ø 8"
*	*	*	*	Fonte courante Ø 8"
*	*	*	*	Fonte sans bride Ø 8"
•	•	•	•	Béton non armé Ø 4" à Ø 6"
•	•	•	•	Grès Ø 1½" à Ø 6"
			•	Conduite d'eau catégorie 22 Ø 4"
			•	Fonte lourde Ø 2" à Ø 5"
•	•	•	•	Fonte courante Ø 1½" à Ø 6"
•	•	•	•	Fonte sans bride Ø 1½" à Ø 6"

• Chaîne de base. *Chaîne avec une rallonge.

(1) Coupe maxi avec rallonge de chaîne : 15" (tuyaux en grès uniquement).

Coupe-tubes à chaîne de chantier n° 226



Figure 1 – Coupe-tubes à chaîne n° 226

Le coupe-tubes à chaîne de chantier RIDGID n° 226 est un outil compact de 17 pouces de long prévu pour la coupe des conduites avec et sans bride, notamment dans les endroits restreints. Sa poignée amovible permet son utilisation dans les espaces exigus. Sa vis d'avancement est équipée d'une molette permettant une plus grande rapidité de réglage, et l'outil est livré avec une clé à rochet de 15,5 pouces de long. Le cas échéant, le n° 226 peut également fonctionner à l'aide de toute clé à cliquet de ½ ou 15/16 pouces. Le n° 226 dispose d'un mécanisme exclusif qui facilite l'accrochage de la chaîne.

Le coupe-tubes à chaîne de chantier n° 226 est protégé par plusieurs brevets US et internationaux, y compris le brevet US n° 6,141,876.

Coupe-tubes à chaîne n° 206 et n° 246



Figure 2 – Coupe-tubes à chaîne n° 206/246

Les coupe-tubes RIDGID n° 206 et n° 246 sont équipés d'une clé à rochet incorporée et centrée sur le tuyau. Celle-ci est particulièrement utile lors des coupes en tranchée, car elle permet de minimiser la largeur de la fouille. Les deux sont équipés d'un mécanisme d'accrochage pour faciliter l'accrochage de la chaîne. Le n° 206 utilise la même chaîne que le n° 226 et le n° 276, tandis que la chaîne du n° 246 est plus importante et permet de couper les conduites d'eau catégorie 22 de 4 pouces de diamètre, ainsi que les conduites en fonte lourde de 2 à 5 pouces.

Coupe-tubes à chaîne n° 276



Figure 3 – Coupe-tubes à chaîne n° 276

Le coupe-tubes RIDGID n° 276 sert à couper les tuyaux

d'un seul coup. Ceci permet de multiples coupes en un minimum de temps.

Caractéristiques techniques

Réf. catalogue	Modèle	Description	Capacité		Poids		Cond	Réf. chaîne
			po	mm	lb.	kg		
68650	206	Coupe-tubes à chaîne (sans bride)	1 1/2-6	50-150	18	8.2	1	33670
69982	226	Coupe-tubes à chaîne de chantier	1 1/2-6	50-150	18	8.2	1	33670
32900	246	Coupe-tubes à chaîne	1 1/2-6	50-150	25	11.3	1	34575
74207	276	Coupe-tubes à chaîne	1 1/2-6	50-150	23 3/4	11.7	1	33670
33665	206/226/276	Rallonge de chaîne*	-	-	1	3.5	1	-
34570	246	Rallonge de chaîne*	-	-	1	3.5	1	-
70437	-	Clé à rochet n° 226	-	-	-	-	1	-

* Ne pas utiliser plus d'une rallonge de chaîne (sauf pour les conduites en grès Ø 15" maxi).

Inspection préalable et entretien de l'outil

⚠ AVERTISSEMENT

Inspectez et entretenez le coupe-tubes à chaîne avant chaque intervention afin de corriger toute anomalie éventuelle et limiter les risques de grave blessure, voire éviter d'endommager l'outil.

- Nettoyez le coupe-tubes à chaîne afin d'éliminer toutes traces de crasse, d'huile, de graisse ou débris éventuelles. Au besoin, servez-vous d'une brosse métallique. Cela facilitera l'inspection de l'outil et vous assurera d'une meilleure prise en main en cours d'utilisation.
- Examinez le coupe-tubes à chaîne pour vérifier :
 - Son assemblage complet et approprié
 - La présence d'éléments brisés, fissurés, manquant tordus ou grippés
 - Signes de corrosion ou d'usure excessive
 - La fluidité de mouvement du rochet, des vis, de la chaîne et des tringles
 - La présence et la lisibilité des étiquettes de sécurité
- Examinez la chaîne pour signes de stress ou autres anomalies. Il ne devrait pas y avoir d'espaces significatifs entre les platines de la chaîne. Le cas échéant, ou en présence d'autres types d'anomalie, la chaîne devra être remplacée. Examinez les galets de coupe pour signes d'usure ou de détérioration. Des galets de coupe usés ou détériorés nécessitent une plus grande force et peuvent produire des coupes de qualité inférieure.
- Sur le coupe-tubes n° 226, appuyez sur le bouton de déverrouillage au centre du rochet, puis introduisez-le dans l'extrémité de la vis d'avancement. Le rochet doit se verrouiller fermement en position. Cela empêche le rochet de se séparer du coupe-tubes en cours d'utilisation. Lors de l'emploi d'une clé à cli-

quet ou autre type de clé, sachez que celle-ci risque de se déloger en cours d'opération.

5. N'utilisez pas le coupe-tubes avant d'avoir corrigé toute anomalie éventuelle.
6. Au besoin, lubrifiez les axes et la chaîne à l'aide d'une huile légère. Éliminez toutes traces d'huile résiduelle.

Préparation et utilisation de l'outil

⚠ AVERTISSEMENT



Respectez les consignes de préparation et d'utilisation suivantes afin de limiter les risques de blessures contondantes (ou autres), et de garantir le bon fonctionnement de l'outil.

Éloignez tout autre individu du lieu de travail en cours d'opération. Tenez-vous à l'écart du tuyau. La coupe des tuyaux risque d'occasionner une projection de copeaux suffisamment voilante pour provoquer de sérieuses blessures contondantes, oculaires et autres.

Portez systématiquement des lunettes de sécurité afin de protéger vos yeux contre la poussière et la projection de débris.

1. Assurez-vous que les lieux disposent d'un éclairage suffisant et d'une plate-forme dégagée, stable et de niveau.
2. Vérifiez la section et la composition du tuyau à sectionner. S'il s'agit d'une canalisation déjà en service, vérifiez son contenu.
3. Choisissez le coupe-tubes approprié en fonction de l'application envisagée. D'autres coupe-tubes se trouvent sur le catalogue RIDGID au site www.RIDGID.com ou www.RIDGID.eu. Les coupe-tubes RIDGID sont prévus pour la coupe de tuyaux d'évacuation d'un diamètre maxi de 8". *Se reporter au chapitre « Caractéristiques techniques ».*
4. Assurez-vous de l'inspection préalable du coupe-tubes à chaîne.
5. Préparation du tuyau :
 - Prenez les mesures nécessaires pour vidanger la canalisation et éviter les déversements éventuels.

- Nettoyez l'extérieur du tuyau afin d'éliminer toutes traces de salissure ou de corrosion. Un encrassement ou une corrosion excessive pourrait nuire à la qualité de coupe et endommager les galets de coupe.
 - Assurez-vous que le pourtour du tuyau a été suffisamment dégagé pour permettre le passage de la chaîne. Les modèles 206/226 et 276 nécessitent un dégagement périphérique d'environ 1¹/₂", tandis que le modèle 246 en demande environ 2". Lors de la coupe de sections de tuyau individuelles, et afin de protéger les galets de coupe contre les surfaces dures (béton ou autres), posez le tuyau sur des supports rapprochés ou sur des blocs en bois afin de l'écartier du sol, ou travaillez sur une surface plus souple, telle qu'un panneau de contre-plaqué.
 - Lors de la coupe de courtes sections de tuyau, amarrez le tuyau afin d'éviter les risques de sa projection en cours de coupe. Ceci peut se faire, en outre, en introduisant un tuyau de section inférieure ou un bloc de bois dans le tuyau.
6. Dans tous les cas, l'outil doit être entièrement ouvert et la chaîne bien collée contre le tuyau avant de l'accrocher. Sinon, la chaîne risque d'être accrochée sur le mauvais redan, et la coupe ne sera pas effectuée. Cela peut également entraîner le blocage du coupe-tubes. Le cas échéant, il sera nécessaire d'ouvrir l'outil complètement, puis de ramener la chaîne au redan inférieur avant de procéder.
 7. Choisissez un emplacement approprié. N'oubliez pas qu'une partie du tuyau risque d'être projeté en cours de coupe. Assurez-vous que rien ne se trouve dans son passage (individus, objets, etc.). N'oubliez pas que le tuyau et le coupe-tubes risquent de tomber en fin de coupe.

Préparation et utilisation du n° 226

La poignée du coupe-tubes à chaîne n° 226 peut être retirée pour faciliter son utilisation dans les endroits exiguës. Enlevez les deux boulons/écrous de fixation de la poignée au niveau des bras du coupe-tubes pour retirer la poignée. Réinstallez-la en resserrant les boulons/écrous à fond. Si nécessaire, la poignée peut être réorientée dans l'un des quatre points cardinaux.

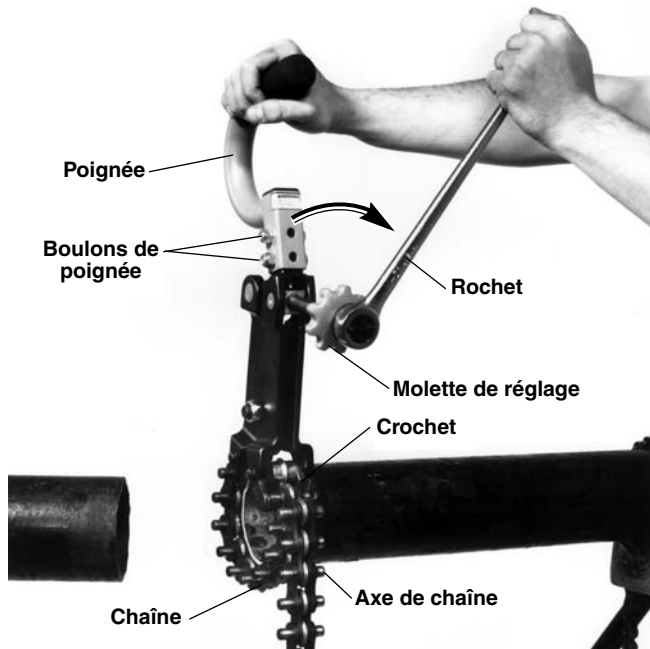


Figure 4 – Utilisation du coupe-tubes à chaîne n° 226

1. Désengagez complètement la molette de réglage du coupe-tubes à chaîne.
2. Positionnez le coupe-tubes sur le tuyau de manière à aligner les galets de coupe de la chaîne sur le tracé de coupe du tuyau. Assurez-vous que les deux crochets reposent sur le tuyau avec leur ouverture vers le haut.
3. Ramenez la chaîne contre le tuyau jusqu'à engager l'ergot le plus serré sur les crochets.
4. Assurez-vous du bon positionnement et de l'équerrage des galets de coupe par rapport au tuyau. Serrez la chaîne en position en vissant la molette de réglage.
5. Appuyez sur le bouton de déverrouillage de la tête du rochet, puis introduisez son carré dans l'embout de la vis d'avancement. Le rochet devrait alors se verrouiller en position. Une clé à cliquet ou autre dispositif d'entraînement risque de ne pas se verrouiller de la même manière et risque de se déloger en cours d'opération. Assurez-vous que le loquet du rochet se trouve en position de serrage de la vis d'avancement.
6. En vous tenant bien d'aplomb, actionnez le manche du rochet pour serrer la vis d'avancement. Continuez de serrer jusqu'à ce que le tuyau soit sectionné.

Préparation et utilisation du n° 206/246

1. Ramenez la molette du rochet à la position neutre (broche dégagée), puis tirez sur la molette de réglage du coupe-tubes pour la dégager complètement.

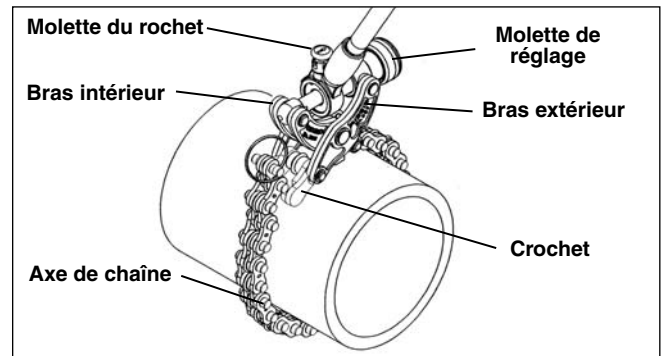


Figure 5 – Coupe-tubes à chaîne n° 206/246

2. Dans la mesure du possible, enjambez la plus grande longueur du tuyau en mettant la molette de réglage à votre droite afin d'avoir la chute en face de vous lors de la coupe.
3. Positionnez le coupe-tubes sur le tuyau de manière à aligner les galets de coupe de la chaîne sur le tracé de coupe du tuyau. Assurez-vous que les deux crochets reposent sur le tuyau avec leur ouverture vers le haut.
4. Ramenez la chaîne contre le tuyau jusqu'à engager l'ergot le plus serré sur les crochets.
5. Assurez-vous du bon positionnement et de l'équerrage des galets de coupe par rapport au tuyau. Serrez la chaîne en position en vissant la molette de réglage. **NE PAS** essayer d'utiliser la molette de réglage pour couper le tuyau, car cela risquerait d'endommager le coupe-tubes.
6. Vissez la molette du rochet de manière à ce que la flèche pointe vers le repère CUT du rochet.
7. En vous tenant bien d'aplomb, poussez la poignée vers le tuyau pour serrer la chaîne. Continuez d'actionner la poignée du rochet jusqu'au sectionnement complet du tuyau.

AVIS IMPORTANT

Si le rochet cesse de cliquer avant la coupe complète du tuyau, c'est que l'outil s'est grippé. Le cas échéant, **NE PAS FORCER** la poignée ou la molette de réglage. Ramenez la molette du rochet vers le repère OPEN, puis tenez-la dans cette position tout en mouvant la poignée du rochet dans cette même direction jusqu'à ce que l'outil se libère. Ouvrez l'outil complètement et resserrez la chaîne d'un cran avant de reprendre l'opération.

Préparation et utilisation du 276

Une fois que le coupe-tubes n° 276 a été réglé pour une section de tuyau donnée, les coupes successives ne devraient pas nécessiter de réglages ultérieurs.

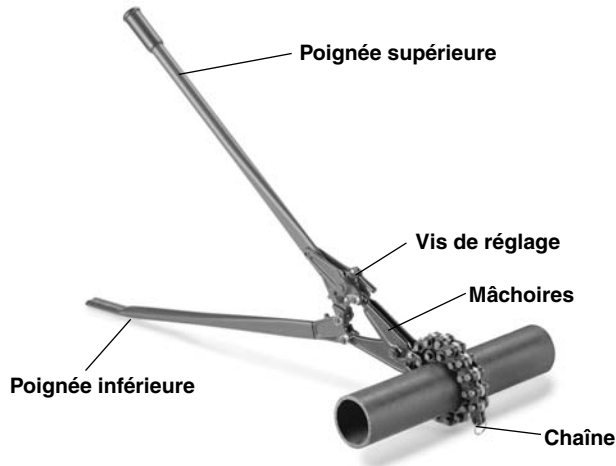


Figure 6 – Coupe-tubes à chaîne n° 276

1. Positionnez les mâchoires de l'outil contre et à l'équerre du tuyau avec la chaîne sous ou autour de celui-ci. Lors des coupes à même le sol, la vis de réglage devrait être orientée vers le haut.
2. Ouvrez les poignées à l'équerre, tout en soutenant la poignée supérieure d'une main.
3. Ramenez la chaîne autour du tuyau de l'autre main, puis engagez l'axe de chaîne le plus proche sur le crochet de la mâchoire. Assurez-vous que la longueur de chaîne excédentaire reste à l'écart du mécanisme.
4. Assurez-vous que la chaîne est bien positionnée et d'équerre avec le tuyau avant de refermer les mâchoires du coupe-tubes, tout en vérifiant le bon accrochage de l'axe de chaîne. Servez-vous de la vis de réglage pour ramener les deux poignées à un écartement de 45 à 70 degrés dans le cas de tuyaux en fonte, voire de 20 à 45 degrés pour les tuyaux en grès ou béton. Si vous n'arrivez pas à obtenir l'angle d'écartement approprié à l'aide de la vis de réglage, il faudra décrocher la chaîne, ouvrir les mâchoires à l'aide de la vis de réglage, puis raccrocher la chaîne au maillon suivant.
5. Assumez une position de travail appropriée. Si vous travaillez avec l'une des poignées au sol, mettez un pied sur le plat de la poignée inférieure, puis appuyez sur la poignée supérieure de manière continue et uniforme jusqu'à achever la coupe du tuyau.

Conseils de coupe

Lorsque vous avez déterminé le point d'accrochage de la chaîne pour une section de tuyau donnée, le repérage du maillon en question économisera du temps lors des coupes successives sur les tuyaux de même diamètre.

Pour obtenir des coupes plus franches, plutôt que de serrer la chaîne jusqu'à ce que le tuyau soit sectionné, serrez-la juste assez pour marquer le tuyau, puis desserrez-la et tournez soit l'outil ou le tuyau à plusieurs reprises pour créer d'autres marques semblables sur sa périphérie avant de serrer la chaîne et sectionner le tuyau.

Ne laissez pas traîner la chaîne lors du transport du coupe-tubes, car cela pourrait endommager ses galets de coupe au point de nécessiter un effort supplémentaire et produire des coupes de piètre qualité.

Rallonges de chaîne

⚠ AVERTISSEMENT Ne pas excéder les capacités de coupe recommandées. La coupe de tuyaux d'un diamètre trop important ou de type non prévu risquerait d'endommager l'outil et provoquer de graves blessures corporelles.

Les coupe-tubes à chaîne RIDGID sont livrés avec une chaîne suffisamment longue pour la coupe de tuyaux de 6" de diamètre. L'addition d'une rallonge de chaîne (se reporter au tableau des caractéristiques techniques) permet la coupe additionnelle de tuyaux de 8". Des rallonges de chaîne supplémentaires peuvent amener cette capacité de coupe jusqu'à 15" de diamètre, mais uniquement pour les tuyaux en grès. Ne pas tenter de couper des tuyaux de section ou composition autres que celles indiquées au tableau des capacités de coupe ci-devant, car cela risquerait de surcharger l'outil et provoquer de graves blessures corporelles.

L'addition de rallonges de chaîne

1. Retirez le cerclip en bout de la chaîne.
2. Positionnez les maillons externes de la rallonge sur les maillons internes de la chaîne, puis positionnez le galet de coupe entre ceux-ci.
3. Positionnez le partie de chaîne à rallonger dans une presse et soutenez-la de manière appropriée. Alignez les orifices des maillons avec le galet de coupe, puis introduisez l'axe.
4. Enfoncez l'axe soigneusement en vous assurant qu'il est bien aligné sur le maillon.
5. Remontez le cerclip en bout de la rallonge de chaîne.

Modelos 206, 226, 246, 276



N° 226



N° 276



N° 206 y N° 246

ADVERTENCIA

Antes de utilizar este aparato, lea detenidamente su Manual del Operario. Pueden ocurrir descargas eléctricas, incendios y/o graves lesiones si no se comprenden y siguen las instrucciones de este manual.

RIDGID®

Índice

Simbología de seguridad.....	14
Reglas de seguridad general	14
Seguridad en la zona de trabajo	14
Seguridad personal	14
Uso y cuidado del aparato	14
Servicio	14
Información de seguridad específica	14
Descripción y especificaciones	
Descripción	15
Cortatubos de desagües ya instalados N° 226	15
Cortatubos de desagües N° 206 y N° 246.....	15
Cortatubos de desagües N° 276	16
Especificaciones	16
Inspección previa al funcionamiento y Mantenimiento	16
Preparación y funcionamiento del aparato	17
Preparación y funcionamiento del Cortatubos N° 226.....	18
Preparación y funcionamiento del Cortatubos N° 206 y N° 246	18
Preparación y funcionamiento del Cortatubos N° 276.....	19
Consejos para efectuar los cortes	19
Alargamiento de la cadena del cortatubos	19
Acoplamiento de una extensión a la cadena	20
Garantía vitalicia.....	carátula posterior

Simbología de seguridad

En este manual del operario y en el aparato mismo encontrará símbolos y palabras de advertencia que comunican información de seguridad importante. En esta sección se describe el significado de estos símbolos.



Este es el símbolo de una alerta de seguridad. Sirve para prevenir al operario de las lesiones corporales que podría sufrir. Obedezca todas las instrucciones que acompañan a este símbolo de alerta para evitar lesiones o muertes.



ADVERTENCIA Este símbolo de ADVERTENCIA advierte de una situación de riesgo o peligro que, si no se evita, podría ocasionar la muerte o lesiones grave.



Este símbolo significa que, antes de usar el aparato, es indispensable leer detenidamente su manual del operario. El manual del aparato contiene importante información acerca del funcionamiento apropiado y seguro del equipo.



Este símbolo señala que, durante la manipulación y funcionamiento de este aparato, el operario debe llevar puestas gafas o anteojos de seguridad con viseras laterales.

Reglas de seguridad general



ADVERTENCIA
Lea y comprenda todas estas instrucciones. Pueden ocurrir descargas eléctricas, incendios y/o lesiones personales graves si no se siguen y obedecen todas las instrucciones detalladas a continuación.

¡GUARDE ESTAS INSTRUCCIONES!

Seguridad en la zona de trabajo

- **Mantenga su área de trabajo limpia y bien alumbrada.** Las zonas de trabajo desordenadas u oscuras provocan accidentes.
- **No haga funcionar equipos en atmósferas explosivas, es decir, en presencia de líquidos, gases o polvo inflamables.** Los aparatos pueden generar chispas que podrían inflamar el polvo o los gases.
- **Al hacer funcionar aparatos o herramientas, mantenga apartados a niños y espectadores.** Cualquier distracción puede hacerle perder el control del equipo en funcionamiento.
- **Mantenga el suelo limpio y libre de materiales resbalosos, como grasas y aceites.** Los pisos resbalosos provocan accidentes.

Seguridad personal

- **Manténgase alerta, preste atención a lo que está haciendo y use sentido común cuando trabaje con herramientas. No utilice una herramienta si está cansado o se encuentra bajo la influencia de drogas, alcohol o medicamentos.** Sólo un breve descuido mientras hace funcionar un aparato puede ocasionar lesiones graves.
- **Use el equipo de protección personal que corresponda. Siempre use protección para sus ojos.** Al

usar mascarilla para el polvo, calzado de seguridad antideslizante, casco duro o protección para los oídos, según las circunstancias, usted evitará lesionarse.

- **No trate de extender su cuerpo para alcanzar algo.** Si mantiene sus pies firmes en tierra y un buen equilibrio podrá ejercer mejor control sobre el aparato en situaciones inesperadas.

Uso y cuidado del aparato

- **No fuerce el aparato. Use el aparato correcto para la tarea que realizará.** El aparato adecuado hará un mejor trabajo y con mayor seguridad, al ritmo para el cual fue diseñado.
- **Almacene las herramientas que no estén en uso fuera del alcance de niños y no permita que las hagan funcionar personas sin capacitación o que no hayan leído estas instrucciones.** Las herramientas son peligrosas en manos de inexpertos.
- **Hágale buen mantenimiento a su herramienta. Révisele sus piezas móviles por si están desalineadas o agarrotadas. Cerciórese de que no tenga piezas quebradas y que no existen condiciones que puedan afectar su buen funcionamiento. Si está dañada, antes de usarla, hágala componer.** Los aparatos en malas condiciones causan accidentes.
- **Mantenga los mangos y controles de su aparato limpios y secos, libres de aceite y grasa.** Así no resbalarán de sus manos.

Servicio

- **Encomiende el servicio de este equipo únicamente a técnicos calificados, que empleen repuestos originales.** Así se garantiza el funcionamiento seguro del aparato.

Información de seguridad específica

⚠ ADVERTENCIA

Esta sección entrega información de seguridad específica para este aparato.

Antes de usar un Cortatubos de desagües, lea estas precauciones detenidamente para prevenir lesiones de gravedad.

¡GUARDE ESTAS INSTRUCCIONES!

Si tiene alguna pregunta acerca de este producto de Ridge Tool:

- Contacte al distribuidor de RIDGID en su localidad.
- Por internet visite el sitio www.RIDGID.com ó www.RIDGID.eu para averiguar dónde se encuentran los centros autorizados de Ridge Tool más cercanos.
- Llame al Departamento de Servicio Técnico de Ridge Tool desde EE.UU. o Canadá al (800) 519-3456 o escriba a techservices@ridgid.com.
- **Mientras corte, no permita la presencia de otros en la zona. Aléjese del tubo.** Al cortarlo, pedazos del tubo podrían volar por los aires con gran fuerza y causar lesiones graves y/o herir sus ojos.
- **Use siempre anteojos de seguridad.** Protegen sus ojos contra mugres y cuerpos extraños.
- **No intente cortar tubos de tamaño o consistencia superior a la capacidad del aparato.** Si se sobrepasan sus límites de corte –tubo demasiado grande o de un tipo inaceptable–, el cortatubos de desagües puede fallar o causar lesiones graves. No extienda la cadena para cortar tubos de más de 8 pulgadas de diámetro.
- **No utilice extensiones para los mangos ni herramientas motorizadas para accionar el cortatubos de desagües cloacales.** Las prolongaciones hechas de los mangos podrían resbalar de sus manos y un accionamiento motorizado, causar graves lesiones. Ambos sobrecargan el cortatubos y podrían ocasionar lesiones y/o daños.

Descripción y especificaciones

Descripción

Los Cortatubos de desagües cloacales de RIDGID® sirven para cortar una variedad de tubos de desagües cloacales fabricados en hierro, y también, de concreto y arcilla. Todos estos cortatubos de RIDGID emplean cadenas dotadas de ruedas de corte que van apretando el tubo hasta que éste se quiebra. Los Cortatubos modelos 226, 206 y 276 emplean la misma ensambladura de cadena,

mientras que el N° 246 está provisto de una cadena más grande. Todos vienen con una cadena lo suficientemente larga como para cortar tubos de hasta 6 pulgadas de diámetro nominal. Agregándoseles una extensión de cadena, es posible cortar tubos de hasta 8 pulgadas de Ø nominal. Consulte la Tabla de Capacidad de los Cortatubos de desagües cloacales, la cual señala los tipos de materiales y diámetros que cada cortatubos es capaz de cortar.

Capacidad de los Cortatubos de desagües cloacales

Modelo				Material y Diámetro
226	206	276	246	
*(1)	*(1)	*(1)	*(1)	Tubos de arcilla, 8 pulgs.
*	*	*	*	Tubos continuos de hierro fundido de peso industrial, 8 pulgs.
*	*	*	*	Tubos cloacales de hierro fundido sin abocinado, 8 pulgs.
•	•	•	•	Tubos de concreto, 4 a 6 pulgs.
•	•	•	•	Tubos de arcilla, 1½ a 6 pulgs.
			•	Tubería principal tipo 22, de 4 pulgs.
			•	Tubos cloacales de hierro fundido de súper servicio industrial, 2 a 5 pulgs.
•	•	•	•	Tubos cloacales de hierro fundido de peso industrial, 1½ a 6 pulgs.
•	•	•	•	Tubos cloacales de hierro fundido sin abocinado, 1½ a 6 pulgs.

• Cadena longitud estándar. * Cadena con una sola extensión.

(1) Con cadena prolongada, es posible cortar tubos de arcilla de un máximo de 15 pulgs.

Cortatubos de desagües cloacales ya instalados N° 226



Figura 1 – Cortatubos de desagües cloacales ya instalados N° 226

El Cortatubos de desagües cloacales ya instalados N° 226 de RIDGID es un aparato compacto –17 pulgs. de largo– hecho para cortar tubos abocinados y no abocinados, especialmente en huecos restringidos. Se le puede quitar su mango para poder introducirlo en espacios estrechos. El tornillo de alimentación cuenta con una perilla manual

para un ajuste rápido, y un trinquete de accionamiento de 1/2 pulgada y 15 pulgs. de largo. Si es necesario, el modelo 226 también puede accionarse con cualquier trinquete de accionamiento de 1/2 pulgada o bien, una llave de 15/16 pulg. El N° 226 emplea un mecanismo de enganche único, el cual facilita el enganche de la cadena.

El Cortatubos de desagües cloacales ya instalados N° 226 se encuentra protegido bajo varias patentes estadounidenses e internacionales, la de EE.UU. N° 6,141,876 inclusive.

Cortatubos de desagües cloacales N°s 206 y 246



Figura 2 – Cortatubos de desagües cloacales N°s 206 y 246

El Cortatubos de desagües cloacales N° 206 de RIDGID utiliza un mango de trinquete integrado, centrado paralelamente al tubo. Esta característica lo hace muy útil para cortar tubos dentro de trincheras de poca amplitud. Ambos cuentan con un mecanismo de enganche único, el cual facilita el enganche de la cadena. El N° 206 emplea la misma cadena que los modelos 226 y 276, mientras que la cadena del modelo 246 es de mayor tamaño permitiéndole cortar tuberías principales del tipo 22 de 4 pulgadas Ø como también desagües cloacales de servicio súper pesado o industrial de 5 pulgadas Ø.

Cortatubos de desagües cloacales N° 276



Figura 3 – Cortatubos de desagües cloacales N° 276

El Cortatubos de desagües cloacales N° 276 de RIDGID permite cortar un tubo cloacal de un solo apretón. Con él es posible cortar repetidamente con gran rapidez.

Especificaciones

N° en el catálogo	Modelo N°	Descripción	Ø del tubo		Peso		Unidades	Cadena de repuesto N°
			pulg.	mms.	lbs.	Kgs		
68650	206	Cortatubos de desagües cloacales no abocinados	1 1/2-6	50-150	18	8,2	1	33670
69982	226	Cortatubos de desagües cloacales ya instalados	1 1/2-6	50-150	18	8,2	1	33670
32900	246	Cortatubos de desagües cloacales	1 1/2-6	50-150	25	11,3	1	34575
74207	276	Cortatubos de desagües cloacales	1 1/2-6	50-150	23 3/4	11,7	1	33670
33665	206/226/276	Ensamble de cadena de extensión*	-	-	1	3,5	1	-
34570	246	Ensamble de cadena de extensión*	-	-	1	3,5	1	-
70437	-	Trinquete N° 226	-	-	-	-	1	-

* No utilice más de una extensión de cadena salvo para cortar tubos de arcilla de Ø inferior a 15 pulgs.
in. = pulgs.

Inspección previa al funcionamiento y Mantenimiento

⚠ ADVERTENCIA

Antes de usarlo, revise y hágale mantenimiento a su cortatubos de desagües cloacales y corrija cualquier problema que detecte con el fin de evitar lesiones provocadas por golpes u otras causas y daños al aparato.

1. Limpie el Cortatubos: quítele la mugre, aceite, grasa y desechos que pueda tener. Si la cadena necesita limpieza, efectúela con una escobilla metálica. Así

podrá inspeccionar el cortatubos y no resbalará de sus manos durante su uso.

2. Inspeccione el cortatubos para cerciorarse de que:
 - está completo y bien ensamblado.
 - no tiene partes rotas, agrietadas, torcidas o trabadas.
 - no está corroído o desgastado en exceso.
 - su trinquete, tornillos, cadena y uniones se mueven libremente.
 - sus etiquetas de advertencias están presentes y legibles.
3. Inspeccione la cadena por si muestra señales de sobrecarga u otros daños. No debe haber espacios considerables entre las placas de los rodillos de la cadena. Si hay grandes separaciones entre sus eslabones u otros daños, la cadena debe reemplazarse. Revise que las ruedas de corte no estén desgastadas o dañadas. Las ruedas de corte desgastadas o dañadas exigen mayor fuerza de corte y producen cortes defectuosos.
4. En el Cortatubos N° 226, oprima el botón de desenganche ubicado en el centro del cabezal del trinquete; métalo en el extremo del tornillo de alimentación. El trinquete debe quedar atrapado firmemente en su lugar. Así se evita que el trinquete se salga del cortatubos durante su uso. Si empleará otro trinquete o llave, tenga en mente que puede soltarse durante el uso.
5. Si detecta algún problema, no utilice el cortatubos hasta solucionarlo.
6. Lubrique los centros de giro y la cadena con aceite liviano, si es necesario. Limpie cualquier exceso de aceite.

Preparación y funcionamiento del aparato

ADVERTENCIA



Siga fielmente las instrucciones de preparación y funcionamiento del aparato para reducir el riesgo de herirse gravemente al ser golpeado o impactado por alguna pieza de trabajo y/o de dañar el aparato.

Mantenga a otras personas apartadas de la zona de trabajo. Sepárese del tubo. Pedazos del tubo que se corta pueden salir despedidos por los aires

a gran velocidad y herir sus ojos, golpear y/o lesionarlo.

Proteja sus ojos siempre con gafas de seguridad para que no les entren mugre ni cuerpos extraños.

1. Revise que la zona donde va a trabajar esté bien iluminada y que usted dispondrá en ella de un lugar despejado, nivelado y estable para efectuar su tarea.
2. Inspeccione el tubo que cortará. Establezca sus dimensiones y su material de fabricación. Si el tubo se encuentra instalado, determine su contenido.
3. Establezca cuál cortatubos necesita para la tarea en cuestión. Los cortatubos en el Catálogo de RIDGID pueden verse en www.RIDGID.com ó www.RIDGID.eu. Los Cortatubos de desagües cloacales de RIDGID sólo sirven para cortar desagües cuyo diámetro es inferior a 8 pulgadas. Vea la sección Especificaciones.
4. Asegure que el cortatubos ha sido inspeccionado correctamente.
5. Prepare el tubo que va a cortar:
 - Tome todas las medidas necesarias para vaciar el desagüe y/o recibir cualquier derrame.
 - Quite el barro y/o moho que tenga el tubo. Un exceso de corrosión o barro en el tubo podrían producir cortes de mala calidad y daños a las ruedas de corte.
 - Asegure que tiene suficiente espacio para rodear el tubo con la cadena. La cadena de los modelos 206, 226 y 276 requiere un espacio libre de 1½ pulgada alrededor del tubo; la del N° 246 necesita 2 pulgadas para caber. Si cortará tubos sueltos, no instalados, impida que las ruedas de corte sufran daño al quedar en contacto con concreto o superficies duras; levante el tubo del suelo y elévelo sobre soportes de baja altura o un tabique de madera. O bien, proceda a cortarlo sobre una superficie más blanda, por ejemplo, un tablero contrachapado (plywood).
 - Cuando vaya a cortar trozos cortos de tubo, en lo posible manténgalos fijos para evitar que salgan despedidos durante el corte: antes de cortarlos, métales en su interior un tubo o un trozo de madera de menor diámetro.
6. Para accionar cualquiera de los modelos de Cortatubos de desagües cloacales, antes de enganchar la cadena el aparato debe estar totalmente abierto y la cadena ceñida alrededor del tubo. De lo contrario, podría engancharse un pasador equivocado y no resultará el corte del tubo. Asimismo, el cortatubos podría trancarse. Si así ocurriera, abra el aparato por completo y estreche la cadena alrededor del tubo hasta enganchar el pasador que quede más ajustado. Continúe la operación según estas instrucciones.

7. Seleccione un sitio desde donde hará funcionar el cortatubos. Tenga en mente que al cortarse el tubo, partes de él podrían caerse o salir despedidas. Asegure que en la zona no haya objetos que puedan ser golpeados por el tubo. Además, recuerde que cuando se corta un tubo tanto el cortatubos como el tubo podrían volcar o caerse.

Preparación y funcionamiento del Cortatubos N° 226

Para trabajar en espacios restringidos, el mango del Cortatubos N° 226 puede extraerse. Extraiga los dos tornillos y tuercas que fijan el mango a los brazos del cortatubos; quite el mango. Vuelva a instalar los tornillos y sus tuercas en los brazos del cortatubos y apriételes firmemente. Es posible colocar el mango en cuatro posiciones diferentes.

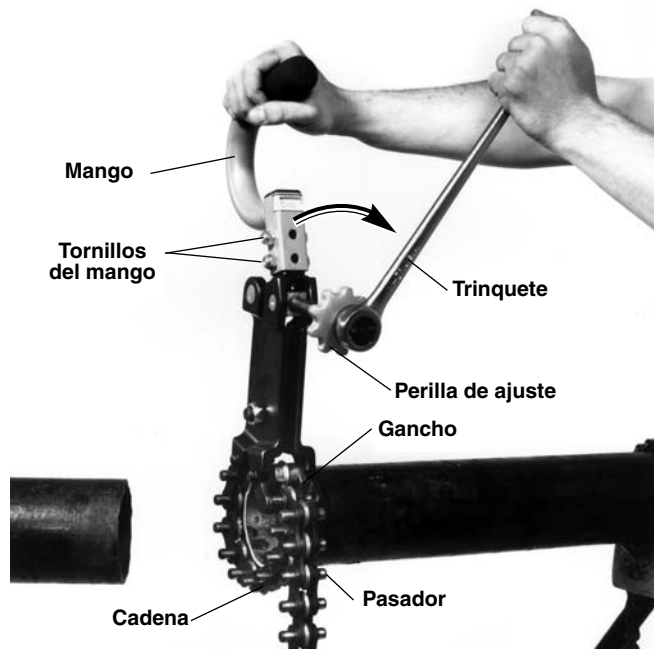


Figura 4 – Empleo del Cortatubos N° 226

1. Agarre la perilla de ajuste del cortatubos y ábrala por completo.
2. Monte el cortatubos sobre el tubo de tal manera que las ruedas de corte se alineen con los puntos en el tubo donde se desea cortarlo. Asegure que los dos ganchos se encuentren acostados sobre el tubo con sus aberturas apuntando hacia arriba.
3. Ciña la cadena alrededor del tubo y meta el pasador más cercano (de la cadena) dentro de los ganchos.
4. Asegure que las ruedas de corte se posan perpendicularmente sobre el tubo en los puntos deseados. Gire la perilla de ajuste para apretar la cadena contra el tubo.

5. Oprima el botón de desenganche ubicado en el centro del cabezal del trinquete; méntalo en el extremo del tornillo de alimentación. El trinquete debe quedar atrapado firmemente en su lugar. Si está empleando un trinquete diferente o llave, puede soltarse durante el uso. Asegure que el trinquete esté puesto de forma que apretará el tornillo de alimentación.
6. Adopte una postura equilibrada y agarrando el mango firmemente con una mano, proceda a apretar el tornillo de ajuste con el trinquete. Continúe esta maniobra hasta que el tubo se haya cortado.

Preparación y funcionamiento del Cortatubos N°s 206 y 246

1. Alce y gire la perilla del trinquete a su posición neutro (pasador fuera de la muesca). Agarre la perilla de ajuste del cortatubos y ábrala por completo.

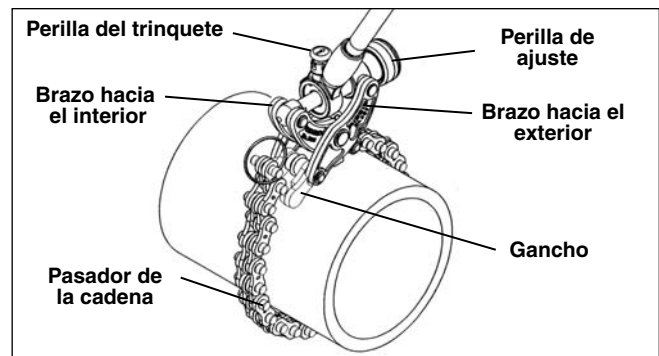


Figura 5 – Cortatubos de desagües cloacales N°s 206 y 246

2. Mientras usted se ubica a horcajadas sobre la sección más larga del tubo, si es posible, ponga la perilla de ajuste a su derecha. Así, cuando corte el tubo, la sección más corta quedará más lejos de usted.
3. Monte el cortatubos sobre el tubo de tal manera que las ruedas de corte se alineen con los puntos en el tubo donde desea cortarlo. Asegure que los dos ganchos se encuentren acostados sobre el tubo con sus aberturas apuntando hacia arriba.
4. Ciña la cadena alrededor del tubo y meta el pasador más cercano (de la cadena) dentro de los ganchos.
5. Asegure que las ruedas de corte se posan perpendicularmente sobre el tubo en los puntos deseados. Gire la perilla de ajuste para apretar la cadena contra el tubo. **NO** intente emplear la perilla de ajuste para cortar el tubo. Le hará daño al cortatubo.
6. Gire la perilla del trinquete, cerrándola, de tal manera que la flecha apunte hacia la palabra CUT (corte) grabada en la carcasa del trinquete.
7. Adopte una postura equilibrada y agarrando el mango firmemente, llévelo hacia el tubo para apretar la ca-

dena. Continúe estas maniobras de trinquete y de apriete hasta cortar el tubo.

IMPORTANTE

Si la acción del trinquete se detiene antes que se haya cortado el tubo, el aparato se ha atascado. NO FUERCE el mango ni la perilla de ajuste. Alce y gire la perilla del trinquete con el fin de que la flecha apunte hacia la palabra OPEN (abierto) grabada en la carcasa del trinquete. Mantenga la perilla del trinquete en esta posición mientras corre el mango en la dirección indicada para destrabar el cortatubos. Abra el cortatubos y empuje la cadena hasta el pasador siguiente para que quede más apretada. Continúe la operación según se ha descrito.

Preparación y funcionamiento del Cortatubos N° 276

Una vez que el Cortatubos N° 276 se ha regulado para cortar un diámetro determinado de tubo, generalmente no requiere ajustes posteriores.

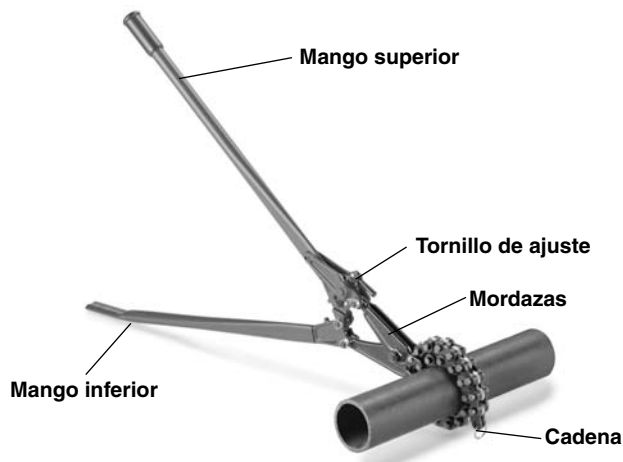


Figura 6 – Cortatubos de desagües cloacales N° 276

1. Acerque las mordazas del cortatubos perpendicularmente al tubo, sitúe la cadena debajo o alrededor del tubo. Si se cortará sobre el suelo, el tornillo de ajuste debe apuntar hacia arriba.
2. Abra los mangos a 90 grados y sujete el mango superior con una mano.
3. Con la otra mano, jale la cadena apretándola alrededor del tubo e introduzca el pasador (de la cadena) más cercano dentro del ámbito del gancho en la mordaza. Asegure que el trozo de cadena sobrante no interfiera con el mecanismo.
4. Asegure que la cadena se encuentra en ángulo recto contra el tubo y en la posición deseada. Cierre cuidadosamente las mordazas del cortatubos procurando que el pasador (de la cadena) permanezca abrochado. Mediante el tornillo de ajuste, regule la abertura de los mangos para que tengan una separación de unos

45 a 70 grados si se cortarán tubos de hierro fundido, ó de 20 a 45 grados en el caso de tubos de arcilla o concreto. Si no logra dichos ángulos de separación entre los mangos empleando el tornillo de ajuste, debe desengancharse la cadena, abrirse más las mordazas mediante el tornillo de ajuste y engancharse nuevamente la cadena en el pasador siguiente.

5. Adopte una postura equilibrada. Si trabajará con uno de los mangos en el suelo, ponga un pie sobre la parte plana del mango inferior. Agarre el otro mango firmemente, ejerza con él uniforme fuerza descendente hasta cortar el tubo.

Consejos para efectuar los cortes

Una vez que se ha establecido cuál es el pasador indicado para cortar un diámetro determinado de tubo, haga una marca en este pasador la que permitirá ubicarlo con rapidez para efectuar los cortes subsiguientes.

Se logran cortes bien definidos si en lugar de apretar la cadena sucesivamente hasta cortar el tubo, sólo se le aprieta lo suficiente para efectuarle marcas a la superficie del tubo. En seguida, desapriete la cadena y gire un poco el tubo, o el cortatubos, y vuelva a efectuar una serie de marcas. Repita este procedimiento hasta marcar todo el contorno del tubo. Por último, apriete la cadena y quiebre el tubo.

Cuando traslade o transporte el cortatubos, no arrastre su cadena; se estropean las ruedas de corte. Las ruedas de corte desgastadas o rotas exigen mayor fuerza de corte y producen cortes de mala calidad.

Alargamiento de la cadena del cortatubos

⚠ ADVERTENCIA No corte tubos que exceden la capacidad recomendada del cortatubos. De lo contrario, si se cortan tubos de mayor diámetro o fabricados de materiales distintos a los especificados, estos aparatos podrían causar graves lesiones y/o estropearse.

Cada uno de los Cortatubos de desagües cloacales de RIDGID viene provisto de una cadena capaz de cortar tubos de un máximo de 6 pulgadas de diámetro. Cuando se las prolonga con un solo segmento de cadena de extensión (vea la Tabla de Especificaciones para encontrar las cadenas de extensión en el Catálogo RIDGID) pueden cortar tubos de hasta 8 pulgadas Ø. Los ÚNICOS tubos de mayor diámetro que se pueden cortar con estos Cortatubos de desagües cloacales son los hechos de ARCILLA. Es posible prolongarles la cadena para cortar tubería de arcilla hasta de 15 pulgadas Ø. Por ningún motivo corte con ellos tubos de tamaños y materiales que

están fuera de los límites especificados en la Tabla de Capacidad de los Cortatubos de desagües cloacales: podrían causar graves lesiones y/o estropearse.

Acoplamiento de una extensión a la cadena

1. Extraiga el anillo ubicado en el extremo de la cadena.
2. Coloque los eslabones exteriores de la cadena de extensión sobre los eslabones internos de la cadena del cortatubos, y ponga la rueda de corte entre los eslabones internos.
3. Ponga la zona de la cadena que va a unir en una prensa y sujétela en su lugar. Alinee los agujeros en los eslabones con los de la rueda de corte y meta el pasador en el agujero.
4. Empuje el pasador con cuidado. Asegure que se introduce centrado en relación con los eslabones de la cadena.
5. Vuelva a acoplar el anillo en el extremo de la cadena prolongada.

What is covered

RIDGID® tools are warranted to be free of defects in workmanship and material.

How long coverage lasts

This warranty lasts for the lifetime of the RIDGID® tool. Warranty coverage ends when the product becomes unusable for reasons other than defects in workmanship or material.

How you can get service

To obtain the benefit of this warranty, deliver via prepaid transportation the complete product to RIDGE TOOL COMPANY, Elyria, Ohio, or any authorized RIDGID® INDEPENDENT SERVICE CENTER. Pipe wrenches and other hand tools should be returned to the place of purchase.

What we will do to correct problems

Warranted products will be repaired or replaced, at RIDGE TOOL'S option, and returned at no charge; or, if after three attempts to repair or replace during the warranty period the product is still defective, you can elect to receive a full refund of your purchase price.

What is not covered

Failures due to misuse, abuse or normal wear and tear are not covered by this warranty. RIDGE TOOL shall not be responsible for any incidental or consequential damages.

How local law relates to the warranty

Some states do not allow the exclusion or limitation of incidental or consequential damages, so the above limitation or exclusion may not apply to you. This warranty gives you specific rights, and you may also have other rights, which vary, from state to state, province to province, or country to country.

No other express warranty applies

This FULL LIFETIME WARRANTY is the sole and exclusive warranty for RIDGID® products. No employee, agent, dealer, or other person is authorized to alter this warranty or make any other warranty on behalf of the RIDGE TOOL COMPANY.



Parts are available online at RIDGIDParts.com

**Ridge Tool Company**

400 Clark Street
Elyria, Ohio 44035-6001

Ce qui est couvert

Les outils RIDGE® sont garantis contre tous vices de matériaux et de main d'œuvre.

Durée de couverture

Cette garantie est applicable durant la vie entière de l'outil RIDGE®. La couverture cesse dès lors que le produit devient inutilisable pour raisons autres que des vices de matériaux ou de main d'œuvre.

Pour invoquer la garantie

Pour toutes réparations au titre de la garantie, il convient d'expédier le produit complet en port payé à la RIDGE TOOL COMPANY, Elyria, Ohio, ou bien le remettre à un réparateur RIDGID® agréé. Les clés à pipe et autres outils à main doivent être ramenés au lieu d'achat.

Ce que nous ferons pour résoudre le problème

Les produits sous garantie seront à la discrétion de RIDGE TOOL, soit réparés ou remplacés, puis ré-expédiés gratuitement ; ou si, après trois tentatives de réparation ou de remplacement durant la période de validité de la garantie le produit s'avère toujours défectueux, vous aurez l'option de demander le remboursement intégral de son prix d'achat.

Ce qui n'est pas couvert

Les défaillances dues au mauvais emploi, à l'abus ou à l'usure normale ne sont pas couvertes par cette garantie. RIDGE TOOL ne sera tenue responsable d'aucuns dommages directs ou indirects.

L'influence de la législation locale sur la garantie

Puisque certaines législations locales interdisent l'exclusion des dommages directs ou indirects, il se peut que la limitation ou exclusion ci-dessus ne vous soit pas applicable. Cette garantie vous donne des droits spécifiques qui peuvent être éventuellement complétés par d'autres droits prévus par votre législation locale.

Il n'existe aucune autre garantie expresse

Cette GARANTIE PERPETUELLE INTEGRALE est la seule et unique garantie couvrant les produits RIDGID®. Aucun employé, agent, distributeur ou tiers n'est autorisé à modifier cette garantie ou à offrir une garantie supplémentaire au nom de la RIDGE TOOL COMPANY.

Qué cubre

Las herramientas RIDGID están garantizadas contra defectos de la mano de obra y de los materiales empleados en su fabricación.

Duración de la cobertura

Esta garantía cubre a la herramienta RIDGID durante toda su vida útil. La cobertura de la garantía caduca cuando el producto se torna inservible por razones distintas a las de defectos en la mano de obra o en los materiales.

Cómo obtener servicio

Para obtener los beneficios de esta garantía, envíe mediante porte pagado, la totalidad del producto a RIDGE TOOL COMPANY, en Elyria, Ohio, o a cualquier Servicentro Independiente RIDGID. Las llaves para tubos y demás herramientas de mano deben devolverse a la tienda donde se adquirieron.

Lo que hacemos para corregir el problema

El producto bajo garantía será reparado o reemplazado por otro, a discreción de RIDGE TOOL, y devuelto sin costo; o, si aún resulta defectuoso después de haber sido reparado o sustituido tres veces durante el período de su garantía, Ud. puede optar por recibir un reembolso por el valor total de su compra.

Lo que no está cubierto

Esta garantía no cubre fallas debido al mal uso, abuso o desgaste normal. RIDGE TOOL no se hace responsable de daño incidental o consiguiente alguno.

Relación entre la garantía y las leyes locales

Algunos estados de los EE.UU. no permiten la exclusión o restricción referente a daños incidentales o consiguientes. Por lo tanto, puede que la limitación o restricción mencionada anteriormente no rija para Ud. Esta garantía le otorga derechos específicos, y puede que, además, Ud tenga otros derechos, los cuales varían de estado a estado, provincia a provincia o país a país.

No rige ninguna otra garantía expresa

Esta GARANTIA VITALICIA es la única y exclusiva garantía para los productos RIDGID. Ningún empleado, agente, distribuidor u otra persona está autorizado para modificar esta garantía u ofrecer cualquier otra garantía en nombre de RIDGE TOOL COMPANY.

We
Build
Reputations™

RIDGID®


EMERSON™
Professional Tools

EMERSON. CONSIDER IT SOLVED.™