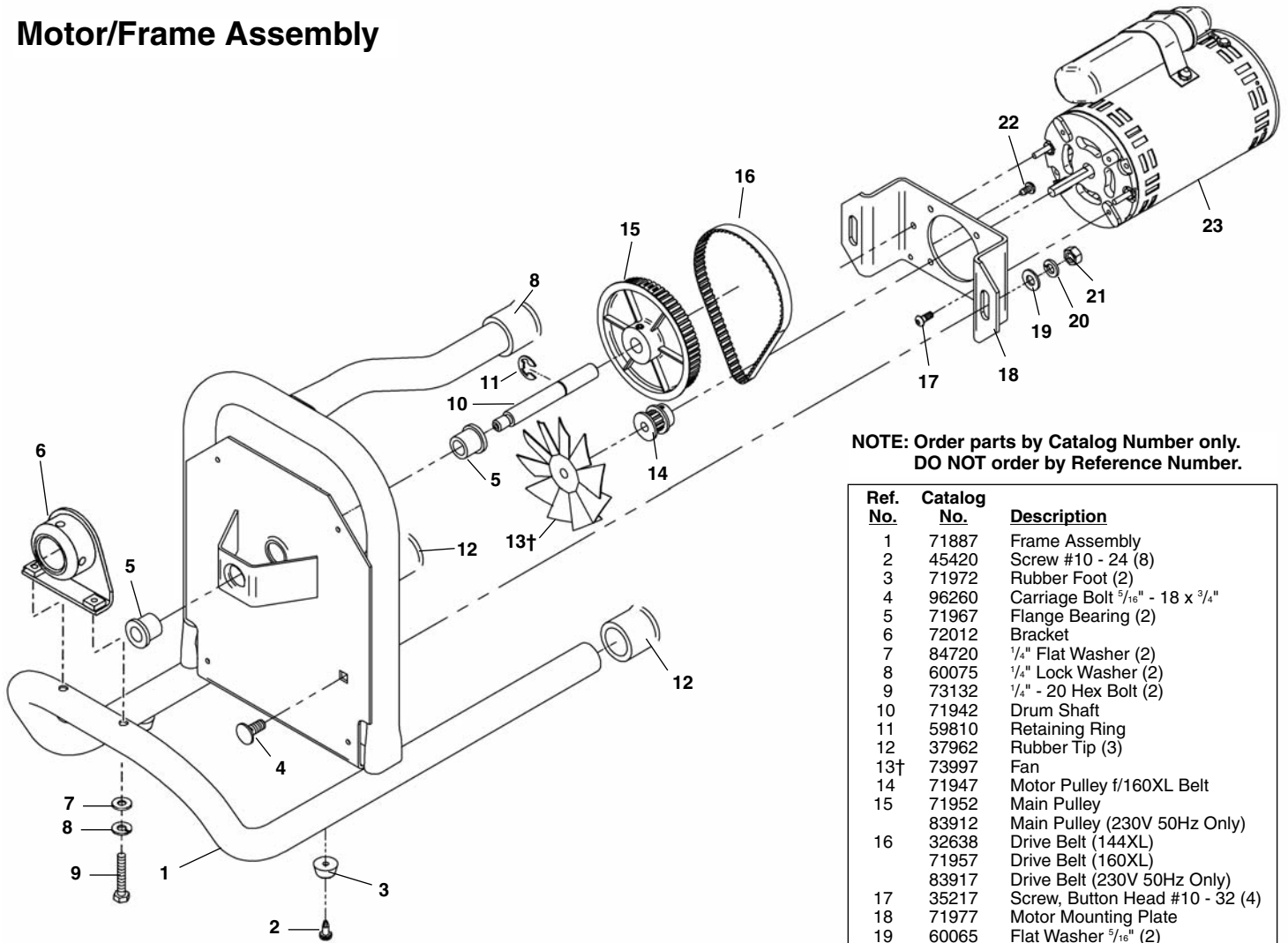


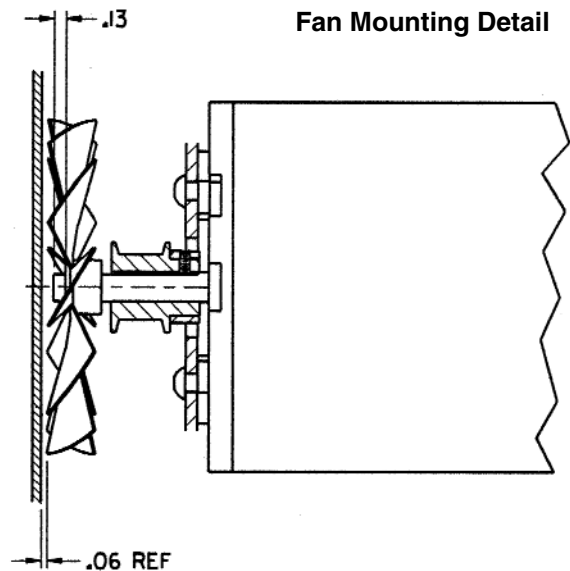
Motor/Frame Assembly



NOTE: Order parts by Catalog Number only. DO NOT order by Reference Number.

Ref. No.	Catalog No.	Description
1	71887	Frame Assembly
2	45420	Screw #10 - 24 (8)
3	71972	Rubber Foot (2)
4	96260	Carriage Bolt $\frac{5}{16}$ " - 18 x $\frac{3}{4}$ "
5	71967	Flange Bearing (2)
6	72012	Bracket
7	84720	$\frac{1}{4}$ " Flat Washer (2)
8	60075	$\frac{1}{4}$ " Lock Washer (2)
9	73132	$\frac{1}{4}$ " - 20 Hex Bolt (2)
10	71942	Drum Shaft
11	59810	Retaining Ring
12	37962	Rubber Tip (3)
13†	73997	Fan
14	71947	Motor Pulley f/160XL Belt
15	71952	Main Pulley
	83912	Main Pulley (230V 50Hz Only)
16	32638	Drive Belt (144XL)
	71957	Drive Belt (160XL)
	83917	Drive Belt (230V 50Hz Only)
17	35217	Screw, Button Head #10 - 32 (4)
18	71977	Motor Mounting Plate
19	60065	Flat Washer $\frac{5}{16}$ " (2)
20	60080	Lock Washer $\frac{5}{16}$ " (2)
21	96730	Hex Nut $\frac{5}{16}$ " - 18 (2)
22	45420	Screw #10 - 24 (8)
23*	34898	Motor 115V 60Hz w/Thermal Breaker
	34903	Motor 230V 50Hz w/Thermal Breaker
	72022	Motor 100V 50/60Hz

1. Position Fan as Shown.



† Refer to Service Notes for Fan position.
 * (Ref No. 19) If replacing motor model #1842424059 then you must also replace the motor shroud catalog #34908.
 ** If using new shroud with old motor must use plug #35233.