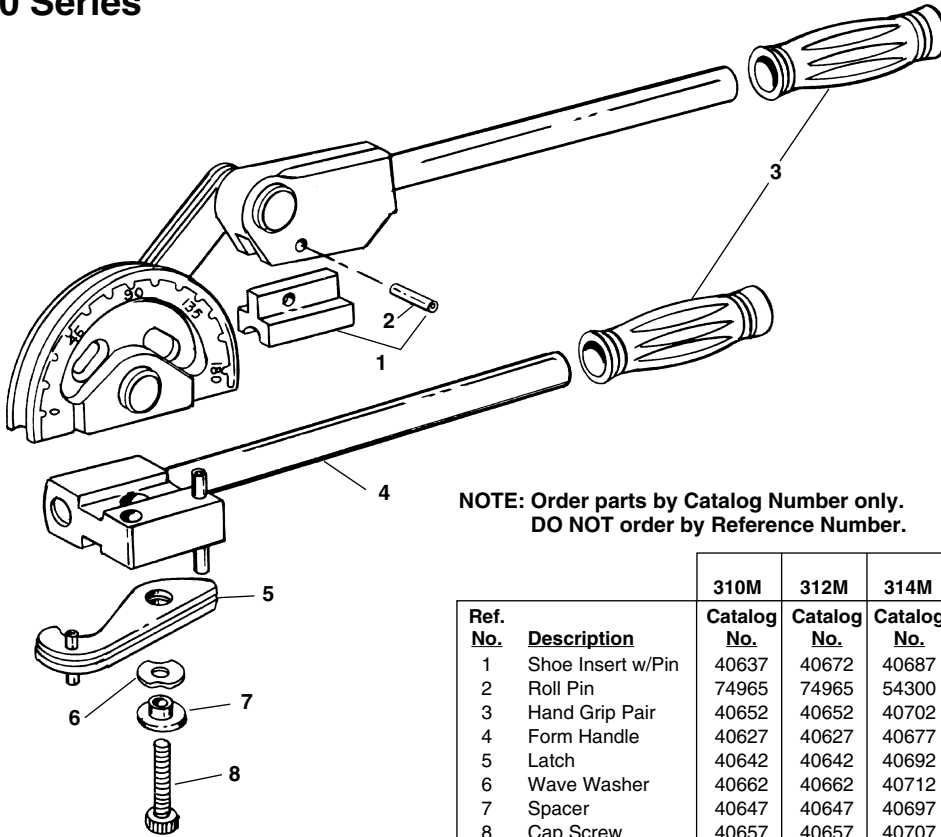


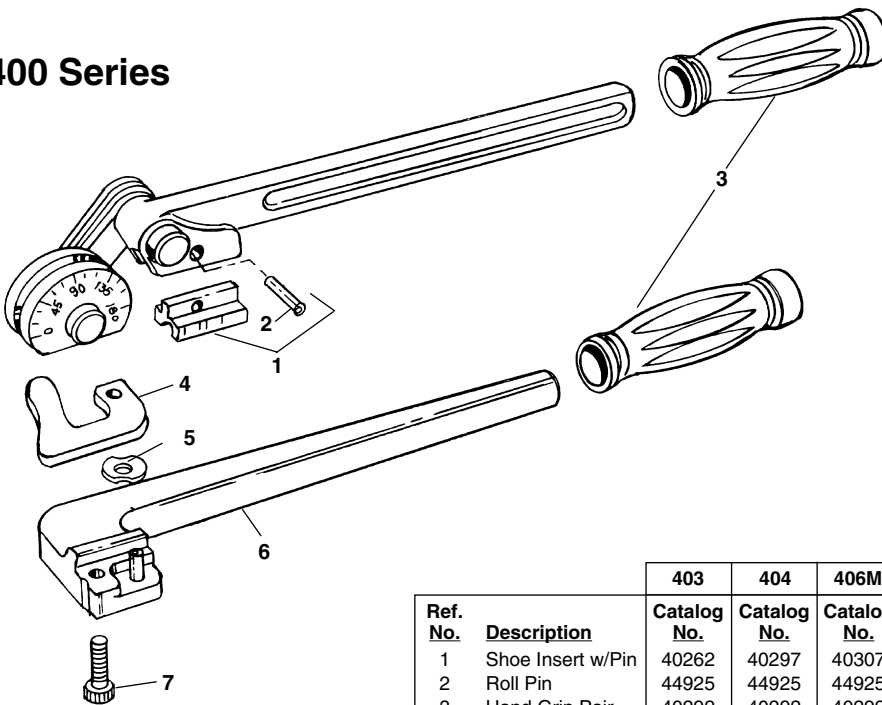
## 300 Series



**NOTE: Order parts by Catalog Number only.  
DO NOT order by Reference Number.**

Ref. No.	Description	310M Catalog No.	312M Catalog No.	314M Catalog No.	315M Catalog No.	310/ 316M Catalog No.	318M Catalog No.	312 Catalog No.	312A Catalog No.
1	Shoe Insert w/Pin	40637	40672	40687	40722	40727	40737	40742	62307
2	Roll Pin	74965	74965	54300	54300	54300	54300	54300	54300
3	Hand Grip Pair	40652	40652	40702	40702	40702	40702	40702	40702
4	Form Handle	40627	40627	40677	40677	40677	40732	44617	44617
5	Latch	40642	40642	40692	40692	40692	40692	40692	40692
6	Wave Washer	40662	40662	40712	40712	40712	40712	40712	40712
7	Spacer	40647	40647	40697	40697	40697	40697	40697	40697
8	Cap Screw	40657	40657	40707	40707	40707	40707	40707	40707

## 400 Series



Ref. No.	Description	403 Catalog No.	404 Catalog No.	406M Catalog No.	410M Catalog No.	408M Catalog No.	406 Catalog No.	408 Catalog No.	408A Catalog No.	412M Catalog No.
1	Shoe Insert w/Pin	40262	40297	40307	40317	40337	40352	40362	26198	40397
2	Roll Pin	44925	44925	44925	34342	34342	34342	74965	74965	74965
3	Hand Grip Pair	40292	40292	40292	40652	40652	40652	40392	40392	40392
4	Latch	40272	40272	40272	40322	40322	40322	40372	40372	40372
5	Wave Washer	40227	40227	40227	40227	40227	40227	40377	40377	40377
6	Form Handle	40282	40302	40312	40327	40347	40357	40382	40382	40402
7	Cap Screw	40267	40267	40267	83685	83685	83685	40367	40367	40367