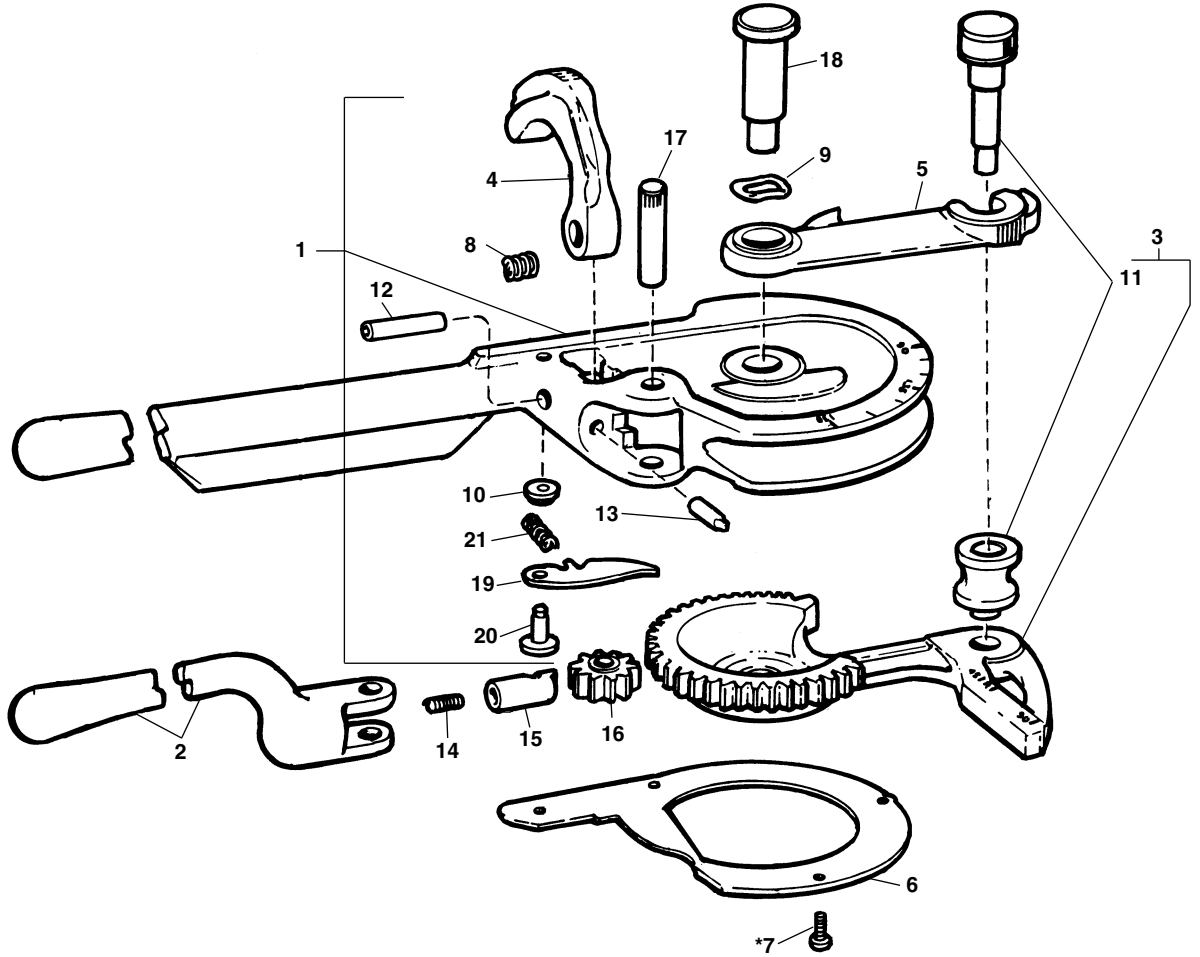


No. 358
No. 368
No. 378



**NOTE: Order parts by Catalog Number only.
 DO NOT order by Reference Number.**

Ref. No.	Description	No. 358	No. 368	No. 378
		3/8" O.D. Tube	3/4" O.D. Tube	7/8" O.D. Tube
		Catalog No.	Catalog No.	Catalog No.
1	Form Handle Assembly	35315	35415	35430
2	Ratchet Handle	35320	35435	35435
3	Drive Arm Assembly	35325	96275	35440
4	Latch	35340	35420	35445
5	Swinging Arm	35330	35450	35450
6	Back Plate	35335	35455	35455
7	Screw (4) 4-40 x 3/8" (old style)	46130	46130	46130
	Screw (4) 8-32 x 3/8"	43317	43317	43317
8	Latch Spring	35350	35350	35350
9	Wave Spring	35365	35365	35365
10	Holding Pawl Spacer	35405	35405	35405
11	Roll w/Roll Shaft	35345	35425	35460
12	Latch Pin	35355	35465	35465
13	Release Pin	35360	35470	35470
14	Paw Spring	35410	35475	35475
15	Ratchet Pawl	35375	35480	35480
16	Pinion	35380	35485	35485
17	Pinion Pin	35385	35490	35490
18	Pivot Pin	35390	35495	35495
19	Holding Pawl	35395	35500	35500
20	Holding Pawl Pin	35400	35505	35505
21	Holding Pawl Spring	35370	35510	35510