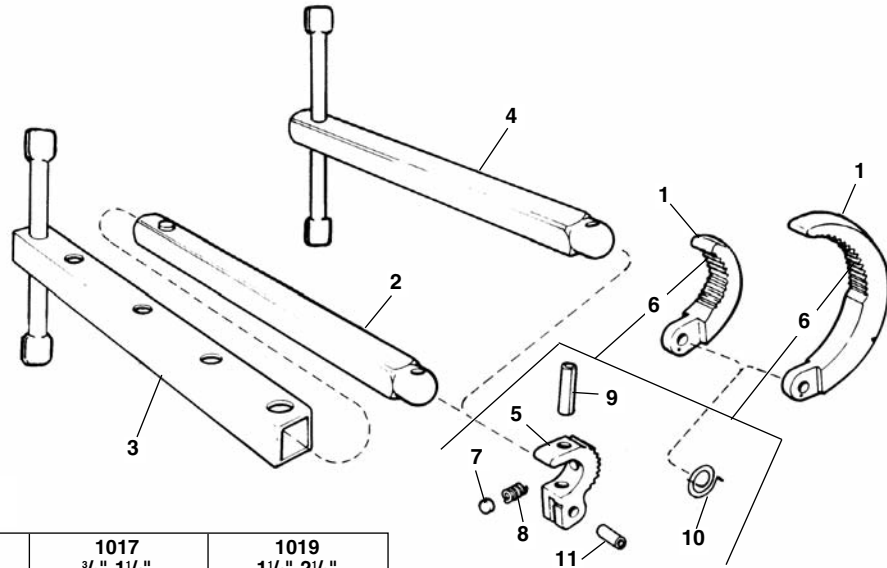


## Basin Wrenches

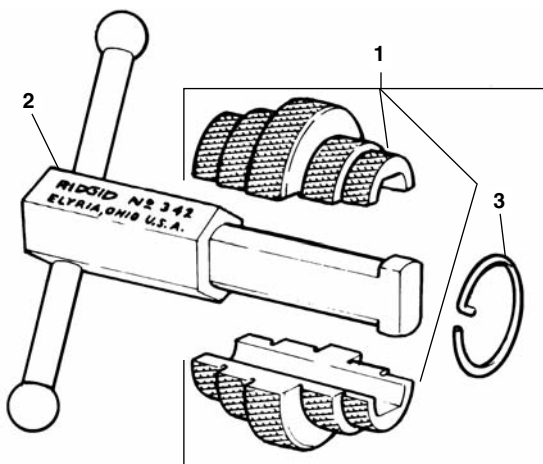


**NOTE: Order parts by Catalog Number only.  
DO NOT order by Reference Number.**

	1010 3/8"-1 1/4"	1017 3/8"-1 1/4"	1019 1 1/2"-2 1/2"
<b>Ref. No.</b>	<b>Catalog No.</b>	<b>Catalog No.</b>	<b>Catalog No.</b>
— Basin Wrench	31170	31175	31180
1 Swing Jaw	32740	32740	32770
2 Slide Bar Assembly	—	32765	32765
3 Sleeve & Handle Assembly	—	32705	32720
4 Handle Assembly	32700	—	—
5 Fixed Jaw	32710	32710	32710
6 Jaw Assembly	32715	32715	32725
7 Tension Plug	32755	32755	32755
8 Coil Spring	32745	32745	32745
9 Spring Pin	32760	32760	32760
10 Spiral Spring	32730	32730	32730
11 Spring Pin	32475	32475	32475

## No. 342 Internal Wrench

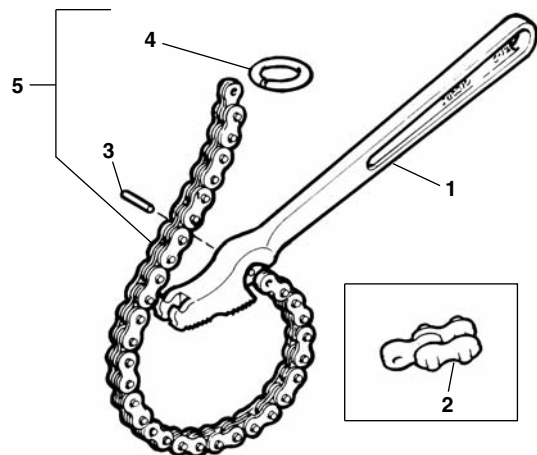
Capacity: 1" through 2"



Ref. No.	Catalog No.	Description
—	31405	342 Internal Wrench
1	32795	Jaw (1 Set)
2	32790	Handle and Body Assembly
3	32800	Retainer Spring Ring

## Light-Duty Chain Wrench C-12

Capacity: 2"



Ref. No.	Catalog No.	Description
—	31310	C-12 Chain Wrench
1	32525	Handle
2	68620	Link
3	32535	Pin
4	32555	Ring
5	32530	Chain Assembly

\*Extra 68620 Chain Link Assemblies are available.