

# Supplement Sheet

## Thermostat and Burner Parts List Robertshaw 220R Control

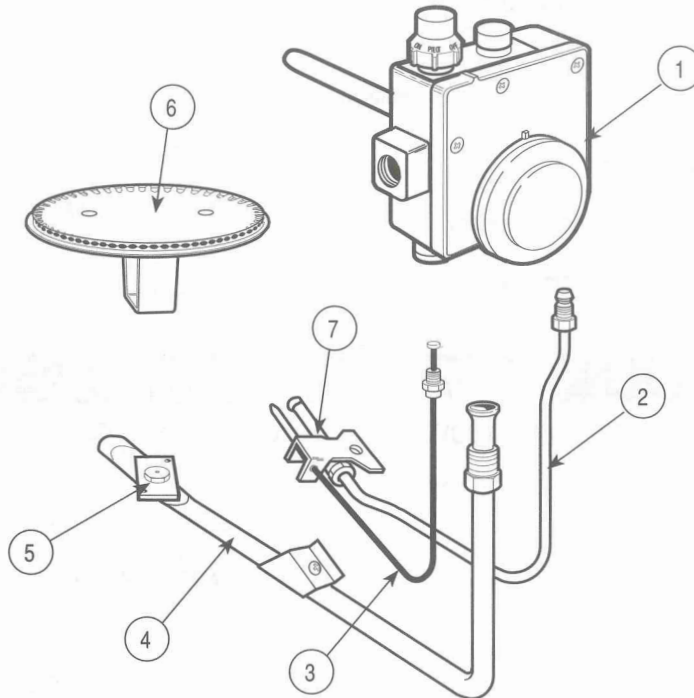
The parts list below replaces the Parts List included in the Use & Care Manual Supplied with your Water Heater

Instructions for placing a Parts Order:

Address parts orders to the distributor or store from where the heater was purchased.

All parts orders should include:

1. Model number and Serial number of heater (from rating plate).
2. Specify type of gas (Natural or LP) as listed on rating plate.
3. Part Description (as noted below) and number of parts desired.



Ref. No	Part Description	Qty. Req'd.
1	Thermostat	1
2	Pilot Supply Tube	1
3	Thermocouple	1
4	Burner Supply Tube	1
5	Orifice, Main Burner	1
6	Burner	1
7	Pilot Burner	1

### CAUTION

For your safety, DO NOT attempt repair of gas piping, thermostat, burners, vent connectors or other safety devices. Refer repairs to qualified service personnel.

# Supplement Sheet

## Lighting Procedure / Warnings

### Robertshaw 220R Control

The Lighting Procedure shown below replaces the one included in the Use & Care Manual Supplied with your Water Heater

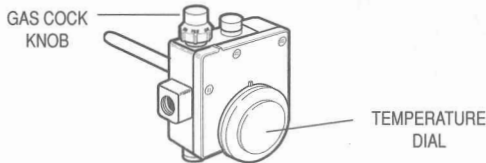
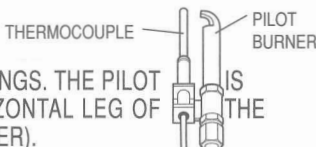
1. LIGHTING PROCEDURE - Lighting procedures are outlined on the label pictured below. This label is also located on the water heater near the thermostat.

#### FOR YOUR SAFETY READ BEFORE OPERATING

**WARNING:** If you do not follow these instructions exactly, a fire or explosion may result causing property damage, personal injury or loss of life.

- A. This appliance has a pilot which must be lighted by hand. When lighting the pilot, follow these instructions exactly.
- B. BEFORE PUTTING THIS APPLIANCE INTO SERVICE—Smell all around the appliance area for gas. Be sure to smell next to the floor because some gas is heavier than air and will settle on the floor.
- WHAT TO DO IF YOU SMELL GAS:
- Do not try to light the appliance.
  - Do not touch any electrical switch; do not use any phone in your building.
  - Immediately call your gas supplier from a neighbor's phone. Follow the gas supplier's instructions.
- If you cannot reach your gas supplier, call the fire department.
- C. Use only your hand to turn the gas control knob. Never use tools. If the knob will not turn by hand, don't try to repair it, call a qualified service technician. Force or attempted repair may result in a fire or explosion.
- D. Do not use this appliance if any part has been under water. Immediately call a qualified service technician to inspect the appliance and to replace any part of the control system and any gas control which has been under water.

#### OPERATING INSTRUCTIONS

1. STOP! READ THE SAFETY INFORMATION ABOVE ON THIS LABEL.
2. TURN GAS COCK KNOB CLOCKWISE TO "OFF" POSITION.  

3. TURN TEMPERATURE DIAL COUNTERCLOCKWISE TO LOWEST SETTING
4. WAIT FIVE (5) MINUTES TO CLEAR OUT ANY GAS. IF YOU SMELL GAS, STOP! FOLLOW "B" IN THE SAFETY INFORMATION ABOVE ON THIS LABEL. IF YOU DON'T SMELL GAS, GO TO THE NEXT STEP.
5. REMOVE BOTH THE OUTER DOOR AND INNER DOOR FROM THE WATER HEATER.
6. FOLLOW THE METAL THERMOCOUPLE TUBE FROM GAS CONTROL THRU DOOR OPENINGS. THE PILOT IS LOCATED ON THE HORIZONTAL LEG OF THE LARGER TUBE (OR BURNER).  

7. TURN THE GAS COCK KNOB COUNTER CLOCKWISE TO "PILOT" POSITION.
8. PUSH DOWN ON THE "GAS COCK KNOB" UNTIL IT COMES TO REST ON THE TOP OF CONTROL. HOLD "GAS COCK KNOB" DOWN AND LIGHT THE PILOT WITH A MATCH. CONTINUE TO HOLD THE "GAS COCK KNOB" IN FOR ABOUT ONE (1) MINUTE AFTER THE PILOT IS LIT. RELEASE KNOB AND IT WILL POP BACK UP. PILOT SHOULD REMAIN LIT. IF IT GOES OUT, REPEAT STEPS 2 THROUGH 8.
  - IF THE BUTTON DOES NOT POP BACK UP WHEN RELEASED, STOP AND IMMEDIATELY CALL YOUR SERVICE TECHNICIAN OR GAS SUPPLIER.
  - IF THE PILOT WILL NOT STAY LIT AFTER SEVERAL TRIES, TURN THE "GAS COCK KNOB" TO "OFF" AND CALL YOUR SERVICE TECHNICIAN OR GAS SUPPLIER.
9. REPLACE INNER AND OUTER DOORS.
10. TURN "GAS COCK KNOB" COUNTER CLOCKWISE TO "ON".
11. TURN THE TEMPERATURE DIAL TO THE DESIRED SETTING.

#### TO TURN OFF GAS TO APPLIANCE

1. TURN TEMPERATURE DIAL COUNTER CLOCKWISE TO LOWEST SETTING.
2. TURN GAS COCK KNOB CLOCKWISE TO "OFF" POSITION.