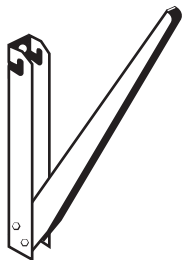
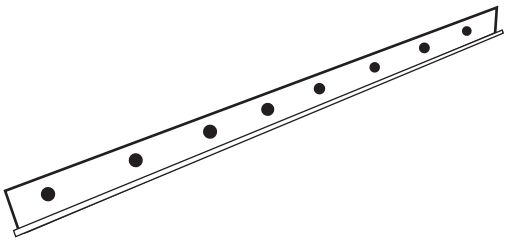

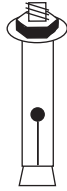
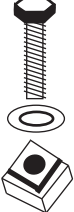

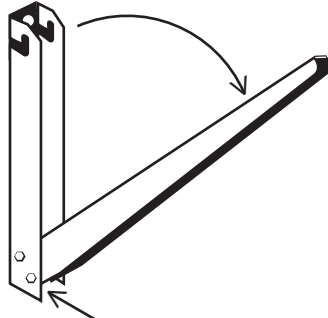




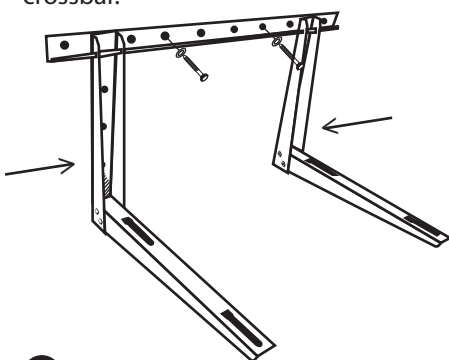
# WBB300 & WBB500 Installation

<b>Bracket Arm (2)</b> 	<b>Crossbar (1)</b> 	<b>8x80mm Lag Screw (6)</b> 	<b>10mm Concrete Anchor (6)</b> 	<b>1" Bolt (4) Clip Nut (4)</b> 	<b>Rubber Mount (4)</b> 
------------------------------------------------------------------------------------------------------------	----------------------------------------------------------------------------------------------------------	------------------------------------------------------------------------------------------------------------------	------------------------------------------------------------------------------------------------------------------------	------------------------------------------------------------------------------------------------------------------------	----------------------------------------------------------------------------------------------------------------

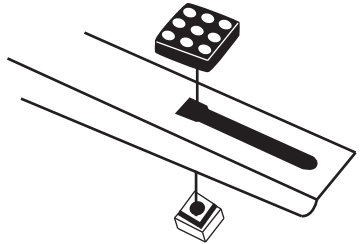
**1** Extend bracket arms.  
Tighten two bolts on each arm.



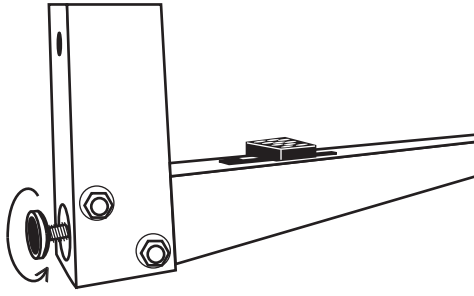
**2** Level and attach crossbar with two lag screws or anchors provided (Substitute other fastener types where appropriate). Slide extended bracket arms onto crossbar.



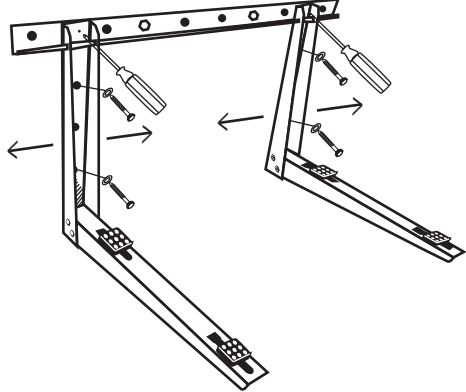
**3** Insert clear clip/nut into mounting key hole from below arm. Attach rubber mount through key hole, aligning center hole with clip/nut. Repeat and slide all four mounts to the center of their respective slots.



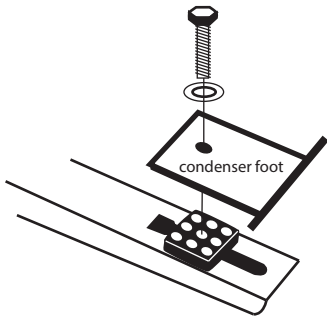
**4** Unscrew rubber stand-offs on the back of each arm as needed to level both arms.



**5** Position arms to accommodate equipment measurements and tighten set screws. Use remaining lag screws or anchors to secure bracket arms.



**6** Position mounts to accommodate equipment measurements. Place condenser on mounts aligning holes in feet with center hole in mounts. Attach using 4 provided bolts.



The buyer of the aforementioned product(s) hereby indemnify RectorSeal Corporation, its successors and assigns, as they may in time appear, harmless against any claims, demands or liability arising out of the misuse of or from any use outside the intended scope of the aforementioned product(s). Misuse or use outside the intended scope shall include any use contrary to that which is indicated with the accompanying literature and instructions. This unit must be installed in accordance with all applicable local building and mechanical codes.

The purchaser or installer of these products is responsible for insuring that the structure and/or building materials making up the structure are of sufficient strength, and a sufficient number and type of fasteners are installed, to take the combined weight of the bracket and unit or units.

