

# FFLED INSTALLATION INSTRUCTIONS



Thank you for buying RAB lighting fixtures. Our goal is to design the best quality products to get the job done right. We'd like to hear your comments. Call the Marketing Department at 888-RAB-1000 or email: [marketing@rabweb.com](mailto:marketing@rabweb.com)



FFLED Arm



FFLED Slipfitter



FFLED Trunnion

## IMPORTANT

**READ CAREFULLY BEFORE INSTALLING FIXTURE. RETAIN THESE INSTRUCTIONS FOR FUTURE REFERENCE.**

RAB fixtures must be wired in accordance with the National Electrical Code and all applicable local codes. Proper grounding is required for safety. For fixtures weighing more than 10 lbs - Do not mount to an outlet cover unless a separate splice box is used. THIS PRODUCT MUST BE INSTALLED IN ACCORDANCE WITH THE APPLICABLE INSTALLATION CODE BY A PERSON FAMILIAR WITH THE CONSTRUCTION AND OPERATION OF THE PRODUCT AND THE HAZARDS INVOLVED.

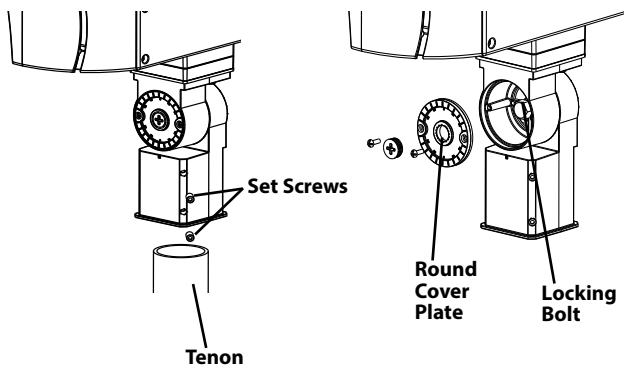
**WARNING: Make certain power is OFF before installing or maintaining fixture. No user serviceable parts inside.**

## ARM MOUNTING

1. Seal arm thread using teflon tape or silicone sealant.
2. Secure the LED Flood to a 1/2" NPS hole in a junction box or landscape post. Heavy duty XC1 cover provided.
3. Plug all unused holes and seal threads with silicone.
4. The swivel arm on the LED Flood allows 180° of vertical aiming adjustment depending on mounting location.

## SLIPFITTER MOUNTING

1. The slipfitter mounting fits a 2 3/8" O.D. **Tenon**. Place the slipfitter over the **Tenon** and secure the fixture with the two **Set Screws** on the side of the slipfitter.
2. Remove two screws and plug on side of **Round Cover Plate**. Remove the **Round Cover Plate** and adjust the angle of the fixture.
3. Loosen the **Locking Bolt** and swivel fixture to desired angle.
4. Tighten the **Locking Bolt** and re-attach **Round Cover Plate**.

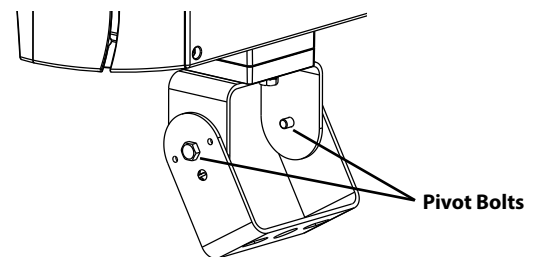


## TRUNNION MOUNTING

**CAUTION: UL and C-UL listed or CSA certified liquid tight cord grip suitable for use with three conductor type STW flexible cord shall be used for connection to a wet location outlet box provided by others.**

To adjust the angle of the fixture using the trunnion:

1. Loosen the Pivot Bolts & angle locking screw.
2. Adjust fixture to desired angle.
3. Tighten **Pivot Bolts** & angle locking screw.



## TROUBLESHOOTING

1. Check that the line voltage at the fixture is correct. Refer to wiring directions.
2. Is the fixture grounded properly?
3. Is the photocell, if used, functioning properly?

## CLEANING & MAINTENANCE

**CAUTION: Be sure fixture temperature is cool enough to touch. Do not clean or maintain while fixture is energized.**

1. Clean glass lens with non-abrasive glass cleaning solution.
2. Do not open the fixture to clean the LED. Do not touch the LED.

# FFLED INSTALLATION INSTRUCTIONS

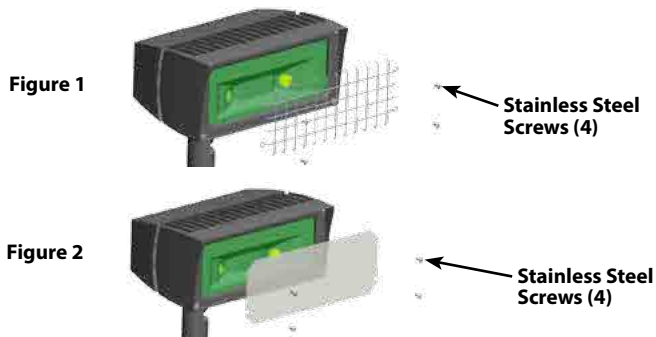


Thank you for buying RAB lighting fixtures. Our goal is to design the best quality products to get the job done right. We'd like to hear your comments. Call the Marketing Department at 888-RAB-1000 or email: [marketing@rabweb.com](mailto:marketing@rabweb.com)

## GUARD OR SHIELD INSTALLATION

Wire Guard and Poly Shield mount with (4) #8-32 **Stainless Steel Screws**. Screws are provided with accessory. Guard and Shield may be used together. See figure 1 for Guard. See figure 2 for Shield

1. Line up guard with pre-existing, pre-drilled holes in frame as shown, tighten screws.



## ACCESSORIES AND REPLACEMENT PARTS

<b>Chrome Wire Guard:</b>	GDFFLD39W
<b>Poly Shield:</b>	GDFFLD39P
<b>Lens &amp; Door Replacement:</b>	LFFLED39 (bronze)
	LFFLED39W (white)

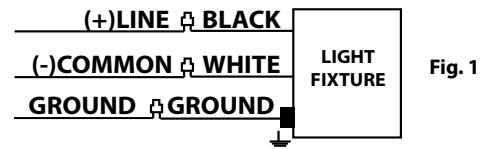
Patent - US: Pat D643,147

*Note: These instructions do not cover all details or variations in equipment nor do they provide for every possible situation during installation, operation or maintenance.*

## ON-OFF WIRING

Universal voltage driver permits operation at 120V to 277VAC, 50 or 60Hz, except fixtures factory ordered with a 120V photocell (/PC), 120V swivel photocell (/PCS), 277V photocell (/PC2) and 277V swivel photocell (/PCS2). Units ordered with (/480V) suffix are 480V. For Non-Dimming, follow the wiring directions as in fig. 1.

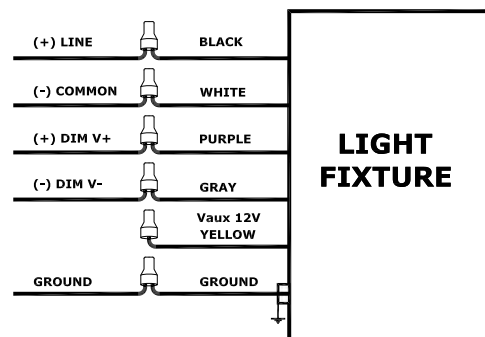
1. Connect the black fixture lead to the (+) LINE supply lead.
2. Connect the white fixture lead to the (-) COMMON supply lead.
3. Connect the bare copper Ground wire from fixture to supply ground.



## 0-10V DIMMABLE WIRING

Universal voltage driver permits operation at 120V thru 277V, 50 or 60 Hz. For 0-10V Dimming, follow the wiring directions as in fig. 2.

1. Connect the black fixture lead to the (+) LINE supply lead.
2. Connect the white fixture lead to the (-) COMMON supply lead.
3. Connect the GROUND wire from fixture to supply ground. Do NOT connect the GROUND of the dimming fixture to the output.
4. Connect the purple fixture lead to the (V+) DIM lead.
5. Connect the gray fixture lead to the (V-) DIM lead.
6. Cap the yellow fixture lead, if present. Do NOT connect.



## Easy Installation & Product Help

**Tech Help Line**  
Call our experts 888 RAB-1000

**rabweb.com**  
Visit our website for product info

**email**  
Answered promptly [sales@rabweb.com](mailto:sales@rabweb.com)