

# SLIM™ 12W/18W/26W INSTALLATION INSTRUCTIONS

**RAB**  
LIGHTING

Thank you for buying RAB lighting fixtures. Our goal is to design the best quality products to get the job done right. We'd like to hear your comments. Call the Marketing Department at 888-RAB-1000 or email: [marketing@rabweb.com](mailto:marketing@rabweb.com)



## IMPORTANT

**READ CAREFULLY BEFORE INSTALLING FIXTURE. RETAIN THESE INSTRUCTIONS FOR FUTURE REFERENCE.**

RAB fixtures must be wired in accordance with the National Electrical Code and all applicable local codes. Proper grounding is required for safety. THIS PRODUCT MUST BE INSTALLED IN ACCORDANCE WITH THE APPLICABLE INSTALLATION CODE BY A PERSON FAMILIAR WITH THE CONSTRUCTION AND OPERATION OF THE PRODUCT AND THE HAZARDS INVOLVED.

**WARNING: Make certain power is OFF before installing or maintaining fixture.**

**No user servicable parts inside.**

## FIXTURE MOUNTING

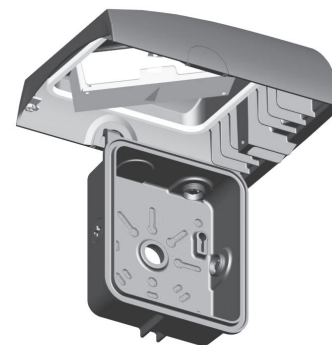
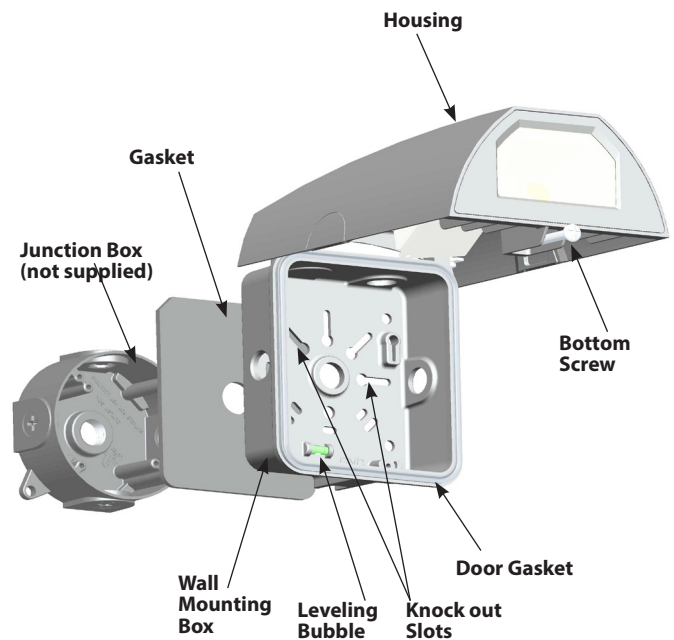
To ensure weatherproof seal, apply weatherproof silicone sealant around the edge of the **Wall Mounting Box** and/or **Junction Box**. This is especially important with an uneven wall surface. Silicone all plugs and unused conduit entries.

### MOUNTING TO JUNCTION BOX

1. Loosen the **Bottom Screw** and open the **Housing**. Knock out appropriate **Slots** when mounting to Junction Box. (not supplied)
2. Using the **Leveling Bubble** in the **Wall Mounting Box**, level the **Fixture**.
3. Feed supply wires through **Junction Box, Gasket** and **Wall Mounting Box**. Check the **Gasket** is fully sealed.
4. Wire the fixture using provided wire connectors.
5. Place wired fixture over the **Wall Mounting Box**, close and tighten the **Bottom Screw**. Check **Door Gasket**.

### MOUNTING TO WALL

1. Secure **Wall Mounting Box** to a sturdy wall. Use appropriate mounting hardware such as lag bolts and anchors with washers suitable for the mounting surface.
2. Using the **Leveling Bubble** in the **Wall Mounting Box**, level the **Fixture**.
3. Secure fixture on top hinges as shown in Fig 1 for hands free wiring.
4. Wire the fixture using provided wire connectors.
5. Place wired fixture over the **Wall Mounting Box**, close and tighten the **Bottom Screw**. Check **Door Gasket**.



**Fig. 1**  
**Hands free Wiring**

# SLIM™ 12W/18W/26W INSTALLATION INSTRUCTIONS

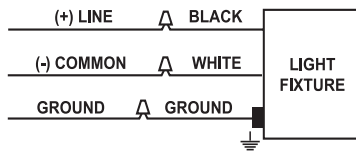


Thank you for buying RAB lighting fixtures. Our goal is to design the best quality products to get the job done right. We'd like to hear your comments. Call the Marketing Department at 888-RAB-1000 or email: [marketing@rabweb.com](mailto:marketing@rabweb.com)

## WIRING

Universal voltage driver permits operation at 120V to 277VAC, 50 or 60 Hz except fixtures factory ordered with a 120V photocell (/PC) or 277V swivel (/PC2). Units ordered with (/347) suffix are 347V, 60Hz.

1. Connect the black fixture lead to the (+) LINE supply lead.
2. Connect the white fixture lead to the (-) COMMON supply lead.
3. Connect the GROUND wire from fixture to supply ground.



## CLEANING & MAINTENANCE

**CAUTION: Be sure fixture temperature is cool enough to touch. Do not clean or maintain while fixture is energized.**

1. Clean glass lens & fixture with non-abrasive glass cleaning solution.
2. Do not open fixture to clean the LED. Do not touch the LED.

## TROUBLESHOOTING

1. Check that the line voltage at fixture is correct. Refer to wiring directions.
2. Is the fixture grounded properly?

## 0-10V DIMMABLE WIRING

Universal voltage driver permits operation at 120V thru 277V, 50 or 60 Hz. For 0-10V Dimming, follow the wiring directions as in fig. 2.

1. For Junction Box Mount, feed wires through silicone wiring plug into the junction box.
2. Connect the black fixture lead to the (+) LINE supply lead.
3. Connect the white fixture lead to the (-) COMMON supply lead.
4. Connect the GROUND wire from fixture to supply ground. Do NOT connect the GROUND of the dimming fixture to the output.
5. Connect the purple fixture lead to the (V+) DIM lead.
6. Connect the gray fixture lead to the (V-) DIM lead.
7. Cap the yellow fixture lead, if present. Do NOT connect.

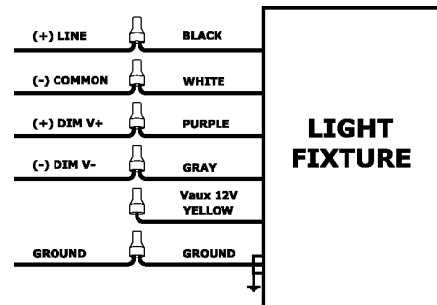


Fig. 2

Note: These instructions do not cover all details or variations in equipment nor do they provide for every possible situation during installation operation or maintenance. Patent - US: pat. 681,864



### Easy Answers

[rabweb.com](http://rabweb.com)  
Visit our website for product info

Tech Help Line  
Call our experts - 888 722-1000

e-mail  
Answered promptly - [sales@rabweb.com](mailto:sales@rabweb.com)

Free Lighting Layouts  
Answered online or by request