

## STL3HLED2X10

The flexibility of either one or two 10W floodlights combined with a security-grade sensor with 360° downward coverage.



### Performance

**Equivalent Replaces** (2) 45W PAR  
(2) 45-75W PAR

**NEMA Type** 5H x 5V  
**Color Temperature (CCT)** 3000K 5000K  
**Input Watts** 27 26  
**Output Lumens\*** 594 676  
**Lumens Per Watt** 22 26  
**Color Accuracy (CRI)** 75 61

\*Spot reflector included. For details on spot optics, please see page 72.

### Specifications

#### UL Listing

Suitable for wet locations

#### Lifespan

100,000-hour LED lifespan based on IES LM-80 results and TM-21 calculations

#### STL360 Sensor

**STL360:** Switching Capacity: 8 Amps, 750 Watts LED @120 Volts 0.8pF Driver; 8 Amps, 500 Watts LED @120 Volts 0.5pF Driver; 120V AC 60HZ; Power Consumption 1W; Time Adjustment 5 Sec. to 12 Min; Surge protection up to 6 kV.

#### Drivers

Constant Current, Class 2, 120V: 0.86A; 50/60 Hz, 1 kV surge protection, 350mA, 0.3 Amps.

### Cold Weather Starting

Minimum starting temperature is -40°C (-40°F).

### Ambient Temperature

Suitable for use in 40°C (104°F)

### Thermal Management

Patented die-cast aluminum system for optimal heat dissipation to extend LED lifespan

### Housing

Precision die-cast aluminum housing

### Mounting

Heavy-duty mounting arm with "O" ring seal & stainless steel screws. Corrosionproof polycarbonate mounting plate with weatherseal gasket.

### Reflector

Hydroformed aluminum for smooth light distribution and low glare

### Gaskets

High-temperature silicone. O-Ring gasketed plug.

### IESNA LM-79 & LM-80 Testing

RAB LED luminaires have been tested by an independent NVLAP Certified laboratory in accordance with IESNA LM-79 and LM-80, and have received the Department of Energy "Lighting Facts" label.

### Color finish

Available in optional white finish



### Security-grade sensor

Two detectors for 360° downward and 180° forward coverage



### Options

Also available as a single head unit with sensor



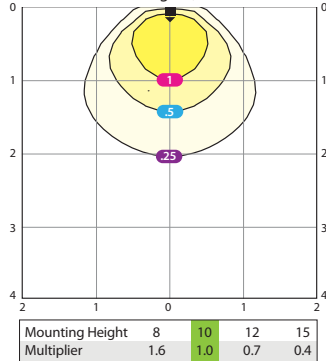
# Ordering information

Product Family	Wattage	Color Temp	Finish Color
STL3HBLED	10 2X10	Blank Y	Blank W
	10W 2X10W	5000K 3000K	Bronze White

## Photometrics & detection pattern

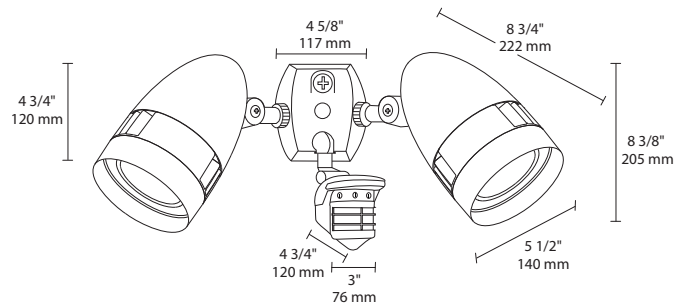
### HBLED10

10W at 10' Mounting Ht., 45° Below Horizon



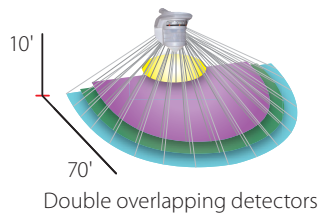
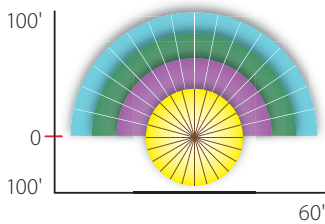
## Dimensions & weight

Weight: 10.6 lbs / 4.8 kg



### STL360

Security-grade sensor has two detectors for 360° downward and 180° forward coverage.



# security lighting

## STL3HBLEDD2X13

The flexibility of either one or two 13W floodlights combined with a security-grade sensor with 360° downward coverage.



### Performance

**Equivalent Replaces** (2) 90W PAR  
(2) 45-75W PAR

<b>NEMA Type</b>	5H x 5V		
<b>Color Temperature (CCT)</b>	<b>3000K</b>	<b>4000K</b>	<b>5000K</b>
<b>Input Watts</b>	30	30	30
<b>Output Lumens*</b>	1324	1448	1448
<b>Lumens Per Watt</b>	44	48	47
<b>Color Accuracy (CRI)</b>	86	87	61

\*Spot reflector included. For details on spot optics, please see page 76.

### Specifications

#### UL Listing

Suitable for wet locations

#### Lifespan

100,000-hour LED lifespan based on IES LM-80 results and TM-21 calculations

#### STL360 Sensor

**STL360:** Switching Capacity: 8 Amps, 750 Watts LED @120 Volts 0.8pF Driver; 8 Amps, 500 Watts LED @120 Volts 0.5pF Driver; 120V AC 60HZ; Power Consumption 1W; Time Adjustment 5 Sec. to 12 Min; Surge protection up to 6 kV.

#### Drivers

Constant Current, Class 2, 120V: 0.6A; 50/60 Hz, 1 kV surge protection, 350mA, 0.3 Amps.

#### Cold Weather Starting

Minimum starting temperature is -40°C (-40°F).

#### Ambient Temperature

Suitable for use in 40°C (104°F)

#### Thermal Management

Patented die-cast aluminum system for optimal heat dissipation to extend LED lifespan

#### Housing

Precision die-cast aluminum housing

#### Mounting

Heavy-duty mounting arm with "O" ring seal & stainless steel screws. Corrosionproof polycarbonate mounting plate with weatherseal gasket.

#### Reflector

Hydroformed aluminum for smooth light distribution and low glare

#### Gaskets

High-temperature silicone. O-Ring gasketed plug.

#### IESNA LM-79 & LM-80 Testing

RAB LED luminaires have been tested by an independent NVLAP Certified laboratory in accordance with IESNA LM-79 and LM-80, and have received the Department of Energy "Lighting Facts" label.

### Color finish

Available in optional white finish



### Security-grade sensor

Two detectors for 360° downward and 180° forward coverage



### Options

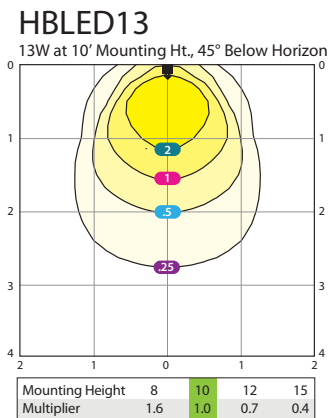
Also available as a single head unit with sensor



# Ordering information

Product Family	Wattage	Color Temp	Finish Color
STL3HLED			
	<b>13</b> 13W <b>2X13</b> 2X13W	<b>Blank</b> 5000K <b>N</b> 4000K <b>Y</b> 3000K	<b>Blank</b> Bronze <b>W</b> White

## Photometrics & detection pattern



Grid Scale:  
Multiples of mounting height, values shown in footcandles

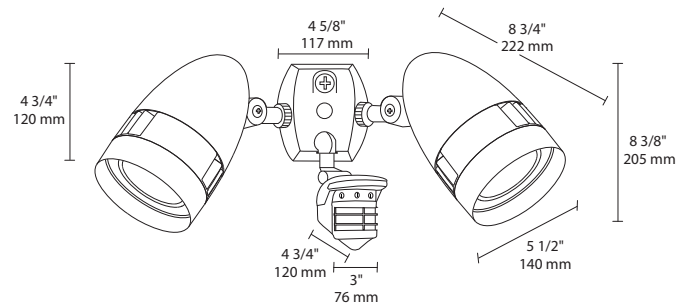
Recessed LED module and optimized reflector provide smooth light distribution with no hot spots and low glare.

RAB lighting design engineers can create a custom lighting layout for your job. For free.

Photometric Report #ITL26997

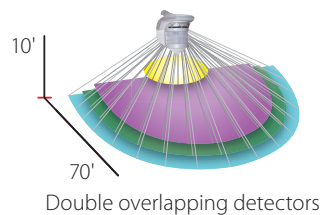
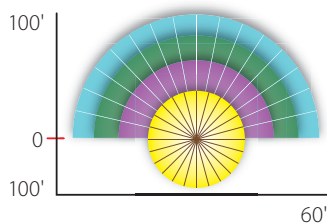
## Dimensions & weight

Weight: 10.6 lbs / 4.8 kg



## STL360

Security-grade sensor has two detectors for 360° downward and 180° forward coverage.



# security lighting

## STL3FFLED18

An LED floodlight that provides 1681-lumen output combined with a security-grade sensor with 360° downward coverage.



### Performance

**Equivalent** 70W MH  
**Replaces** 35-150W MH

<b>NEMA Type</b>	7H x 6V		
<b>Color Temperature (CCT)</b>	<b>3000K</b>	<b>4000K</b>	<b>5000K</b>
<b>Input Watts</b>	22	22	22
<b>Output Lumens</b>	544	570	1681
<b>Lumens Per Watt</b>	36	37	75
<b>Color Accuracy (CRI)</b>	87	84	69

### Specifications

#### UL Listing

Suitable for wet locations

#### Lifespan

100,000-hour LED lifespan based on IES LM-80 results and TM-21 calculations

#### STL360 Sensor

STL360: Switching Capacity: 8 Amps, 750 Watts LED @120 Volts 0.8pF Driver; 8 Amps, 500 Watts LED @120 Volts 0.5pF Driver; 120V AC 60HZ; Power Consumption 1W; Time Adjustment 5 Sec. to 12 Min; Surge protection up to 6 kV.

#### Drivers

Constant Current, Class 2, 120V: 0.2A; 50/60 Hz, 6 kV surge protection, 700mA, 100-277VAC: 0.4 Amps, THD ≤20% Power Factor: 99%

#### Cold Weather Starting

Minimum starting temperature is -40°C (-40°F).

#### Ambient Temperature

Suitable for use in 40°C (104°F)

#### Thermal Management

Superior heat dissipation with integrated Airflow fins (patent pending) to extend LED lifespan

#### Housing

Precision die-cast aluminum housing and hood

#### Mounting

Heavy-duty mounting arm with "O" ring seal & stainless steel screws. Corrosionproof polycarbonate mounting plate with weatherseal gasket.

#### Reflector

Semi-specular anodized aluminum for smooth light distribution and low glare

#### Gaskets

High-temperature silicone. O-Ring gasketed plug.

#### IESNA LM-79 & LM-80 Testing

RAB LED luminaires have been tested by an independent NVLAP Certified laboratory in accordance with IESNA LM-79 and LM-80, and have received the Department of Energy "Lighting Facts" label.

### Precision optics

7H x 6V NEMA Type distribution



### Security-grade sensor

Two detectors for 360° downward and 180° forward coverage



### Control

Photo control keeps light off during the daytime



# Ordering information

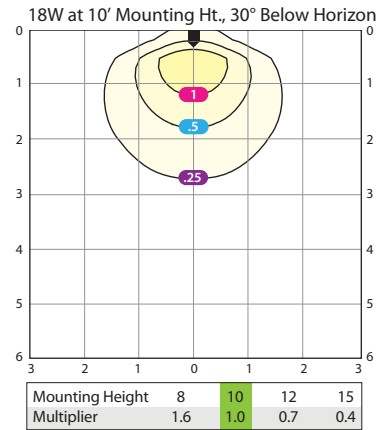
<b>Product Family</b> STL3FFLED	<b>Wattage</b> 18	<b>Color Temp</b> Blank 5000K N 4000K Y 3000K	<b>Finish Color</b> Blank Bronze W White
------------------------------------	----------------------	--	--

## ACCESSORIES

**Catalog #**  
**GDFFL18W** Wire Guard  
**GDFFL18P** Shield

## Photometrics & detection pattern

### FFLED18



Grid Scale:  
 Multiples of mounting height,  
 values shown in footcandles

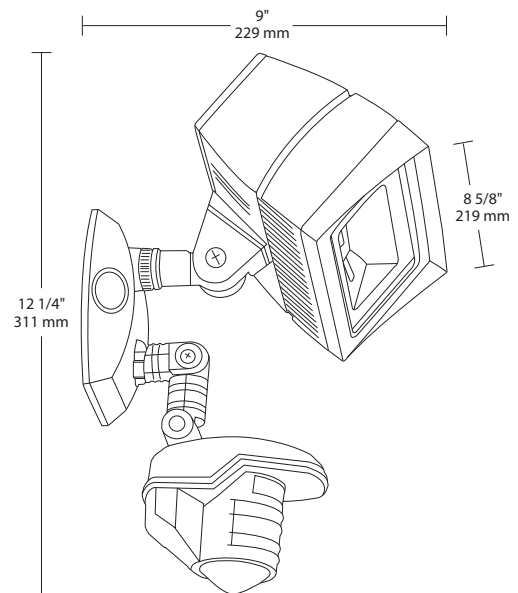
Recessed LED module and  
 optimized reflector provide  
 smooth light distribution with  
 no hot spots and low glare.

RAB lighting design engineers  
 can create a custom lighting  
 layout for your job. For free.

Photometric Report #ITL78799

## Dimensions & weight

**Weight:** 6.5 lbs / 2.9 kg



### STL360

Security-grade sensor has two detectors for  
 360° downward and 180° forward coverage.

