

security lighting

SMSBULLET2X12

Two adjustable heads deliver light where it's needed. 180° motion detection pattern, at distances of up to 30 feet.



Performance

Equivalent Replaces (2) 75W BR/Halogen
(2) 75W BR/Halogen

NEMA Type 6H x 6V
Color Temperature (CCT) 4000K
Input Watts 26
Output Lumens 1664
Lumens Per Watt 64
Color Accuracy (CRI) 84

Specifications

UL Listing

Suitable for wet locations, wall mount only

Lifespan

100,000-hour LED lifespan based on IES LM-80 results and TM-21 calculations

SMS500 Sensor

Switching Capacity: 5 Amps, 500W Incandescent @120V, 250W Fluorescent; 750 Watts LED @120 Volts 0.8pF Driver; 8 Amps, 300 Watts LED @120 Volts 0.5pF Driver; 120V AC 60HZ; Power Consumption 1W; Time Adjustment 5 Sec. to 15 Min; Surge protection up to 3 kV.

Drivers

Innovative integrated driver technology

Cold Weather Starting

Minimum starting temperature is -40°C (-40°F).

Ambient Temperature

Suitable for use in 40°C (104°F)

Thermal Management

Superior heat dissipation with integrated Airflow fins (patent pending) to extend LED lifespan

Housing

Die-cast aluminum housing, lens frame & mounting plate

Lens

Microprismatic diffusion lens for smooth light distribution and low glare

Mounting

Heavy-duty mounting arm with "O" ring seal & stainless steel screws. Corrosionproof polycarbonate mounting plate with weatherseal gasket.

Reflector

Semi-specular, vacuum-metalized polycarbonate

Gaskets

High-temperature silicone gaskets

IESNA LM-79 & LM-80 Testing

RAB LED luminaires have been tested by an independent NVLAP Certified laboratory in accordance with IESNA LM-79 and LM-80, and have received the Department of Energy "Lighting Facts" label.

Photo sensor

Keeps light off during the daytime



Smooth distribution

Microprismatic diffusion lens produces clean light distribution



Color finish

Available in optional white finish



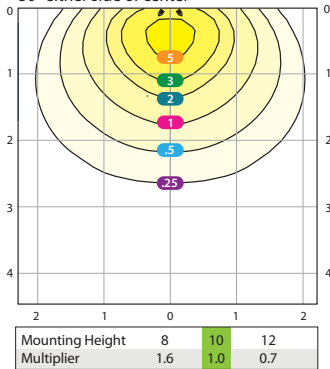
Ordering information

Product Family	Wattage	Color Temp	Finish Color
SMSBULLET	2X12	N 4000K	A Bronze W White

Photometrics & detection pattern

SMSBULLET2X12

24W at 10' Mounting Height
Bullets aimed 45° below horizontal,
30° either side of center



Grid Scale:
Multiples of mounting height,
values shown in footcandles

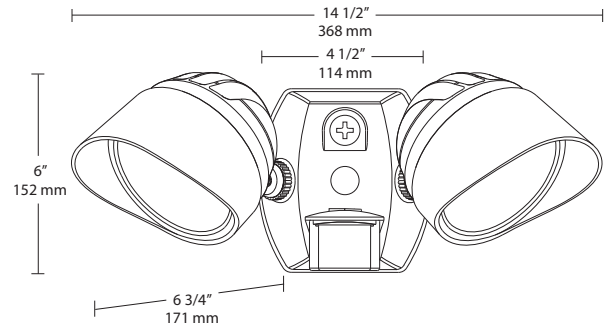
Recessed LED module and
optimized reflector provide
smooth light distribution with
no hot spots and low glare.

RAB lighting design engineers
can create a custom lighting
layout for your job. For free.

Photometric Report #ITL80692

Dimensions & weight

Weight: 6.8 lbs / 3.1 kg



SMS500

Small sensor. Full 180° coverage with universal swivel

