

# wallpacks

## 52W wallpack

Replace 250W metal halide for 80% energy savings. Three cut-off versions available along with optional bi-level operation and photosensor controls.



### Performance

**Equivalent Replaces** 250W MH  
250W MH

Color Temperature (CCT)	3000K	4000K	5000K
Input Watts	58	58	59
Output Lumens	6944	7236	7122
Lumens Per Watt	120	124	121
Color Accuracy (CRI)	71	72	73

*Values shown for standard tilt (15°). Please visit [rabweb.com](http://rabweb.com) for details on cutoff (7.5°) and full cutoff (0°) options.*

### Specifications

#### UL Listing

Suitable for wet locations.

#### Lifespan

100,000-hour LED lifespan based on IES LM-80 results and TM-21 calculations

#### Drivers

Constant Current, 720mA, Class 2 with 6 kV surge protection, 120V: 0.51A; 208V: 0.33A; 240V: 0.29A; 277V: 0.24A; 50/60 Hz, THD ≤20%, Power Factor: 99%

#### Cold Weather Starting

Minimum starting temperature is -40°C (-40°F).

#### Ambient Temperature

Suitable for use in 40°C (104°F)

### Thermal Management

Superior heat dissipation with integrated Airflow fins (patent pending) to extend LED lifespan

### Housing

Precision die-cast aluminum housing

### Mounting

Die-cast aluminum wall bracket with (5) 1/2" conduit openings with plugs. Two-piece bracket with tether for ease of installation and wiring.

### Reflector

Specular vacuum metalized polycarbonate for smooth light distribution and low glare

### Gaskets

High-temperature silicone. O-Ring gasketed plug.

### Cutoff Options

Full Cutoff (0°) - WPLEDFC52

Cutoff (7.5°) - WPLEDC52

Standard (15°) - WPLED52

### Waterproof

Wiring plug gasket seals out moisture



### Easy installation

Side access panel for easy wiring and inspection



### Keeps cool

Vertical fins for maximum heat dissipation



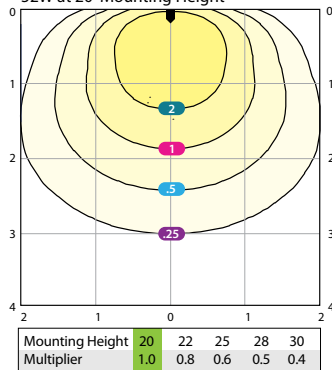
# Ordering information

Product Family	Cutoff	Wattage	Color Temp	Finish Color	Driver Options	Photocell Options
WPLED		52				
<b>Blank</b>	Standard (15°)		<b>Blank</b> 5000K	<b>Blank</b> Bronze	<b>/480</b> 480V	<b>/PCS</b> 120V Swivel
<b>C</b>	Cutoff (7.5°)		<b>N</b> 4000K	<b>W</b> White	<b>/BL</b> Bi-Level	<b>/PCS2</b> 277V Swivel
<b>FC</b>	Full Cutoff (0°)		<b>Y</b> 3000K		<b>/D10</b> 0-10V Dimming	<b>/PCS4</b> 480V Swivel

## Photometrics

### WPLED52

52W at 20' Mounting Height



Grid Scale:  
Multiples of mounting height,  
values shown in footcandles

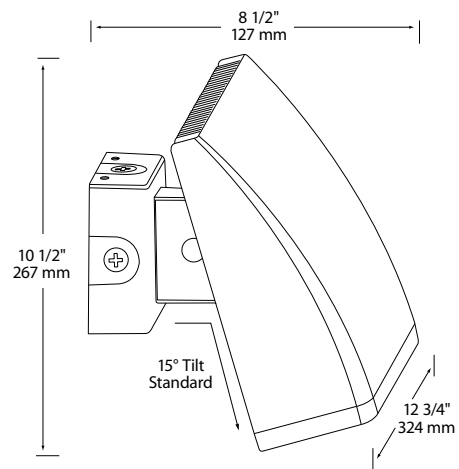
Recessed LED module and  
optimized reflector provide  
smooth light distribution with  
no hot spots and low glare.

RAB lighting design engineers  
can create a custom lighting  
layout for your job. For free.

Photometric Report #ITL79750

## Dimensions & weight

Weight: 17.6 lbs / 8.0 kg



Please visit [rabweb.com](http://rabweb.com) to see which models are DLC or DLC Premium listed.