

floodlights

150W floodlight

A one-for-one 400W MH replacement LED that is DLC listed and provides up to 19,220 lumens, with up to 66% energy savings.



Performance

Equivalent Replaces 400W MH
320-400W MH

NEMA Type	6H x 6V		
Color Temperature (CCT)	3000K	4000K	5000K
Input Watts	153	155	154
Output Lumens	18,264	19,217	18,755
Lumens Per Watt	119	124	122
Color Accuracy (CRI)	71	71	72

Specifications

UL Listing

Suitable for wet locations. Suitable for mounting within 4' of the ground.

Lifespan

100,000-hour LED lifespan based on IES LM-80 results and TM-21 calculations

Drivers

Constant Current, 2000mA, Class 2 with 4 kV surge protection, 120V: 1.31A; 208V: 0.80A; 240V: 0.69A; 277V: 0.60A; 50/60 Hz, THD ≤20%, Power Factor: 99%

Cold Weather Starting

Minimum starting temperature is -40°C (-40°F).

Ambient Temperature

Suitable for use in 40°C (104°F)

Thermal Management

Superior heat dissipation with external patented Airflow fins to extend LED lifespan

Housing

Precision die-cast aluminum housing and hood

Reflector

Specular vacuum metalized polycarbonate for smooth light distribution and low glare

Gaskets

High-temperature silicone. O-Ring gasketed plug.

Precision optics

NEMA Type
6H x 6V distribution



Keeps cool

External fins for optimal heat dissipation



Mounting options

Slipfitter and trunnion options available



Ordering information

Product Family	Wattage	Mounting	Color Temp	Finish Color	Driver Options	Photocell Options
FXLED	150					
		SF Slipfitter T Trunnion	Blank 5000K N 4000K Y 3000K	Blank Bronze W White	/480 480V /BL Bi-Level* /D10 0 - 10V dimming <i>*Slipfitter model only</i>	/PCT 100 - 277V Twistlock /PCT4 480V Twistlock

Accessories

Catalog

GDFXLED78W

Wire Guard

GDFFXED78P

Shield

LFXLED78

Replacement lens and doorframe

LFXLED78W

Replacement lens and doorframe, White

Color lens



With 11 color choices available that create a smooth, uniform effect, RAB's lenses are an affordable option for coloring your world.

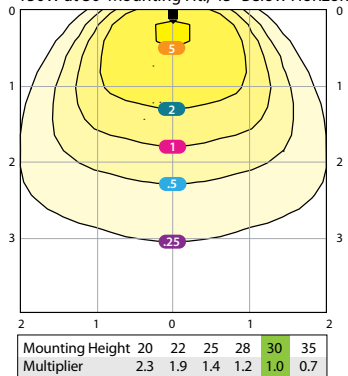
Product Family	Fixture	Filter Color	Frame Finish
CF	FX150		

B	Blue	A	Bronze
LB	Light Blue	W	White
G	Green		
MG	Medium Green		
LG	Light Green		
R	Ruby Red		
MR	Cherry Red		
MA	Medium Amber		
LA	Light Amber		
PP	Pale Purple		
Y	Yellow		

Photometrics

FXLED150

150W at 30' Mounting Ht., 45° Below Horizon



Grid Scale:
Multiples of mounting height, values shown in footcandles

Recessed LED module and optimized reflector provide smooth light distribution with no hot spots and low glare.

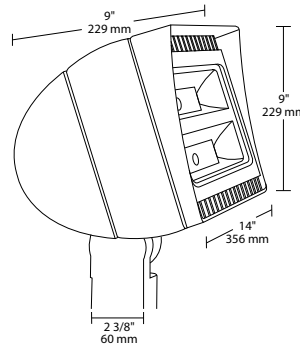
RAB lighting design engineers can create a custom lighting layout for your job. For free.

Photometric Report #ITL79512

Dimensions & weight

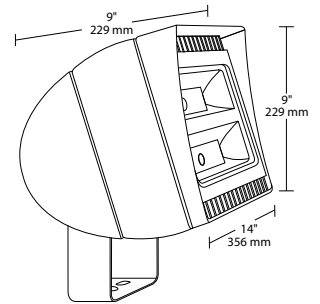
Slipfitter mount

Weight: 24.0 lbs / 10.9 kg

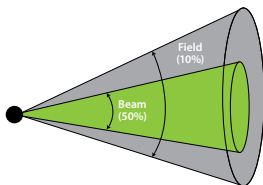


Trunnion mount

Weight: 25.0 lbs / 11.3 kg



Field & beam angles



FXLED150 - NEMA Type 6H x 6V

	Beam Angle (50%)	Field Angle (10%)
Horizontal	92°	121°
Vertical	74°	108°

Percentages represent percentage of maximum beam candlepower.



Please visit rabweb.com to see which models are DLC or DLC Premium listed.