

floodlights

78W floodlight

Replace 250W MH with an efficient 78W LED floodlight. Save up to 70% in energy consumption. Optional slipfitter or trunnion available.



Performance

Equivalent Replaces 250W MH
150-320W MH

NEMA Type	6H x 6V		
Color Temperature (CCT)	3000K	4000K	5000K
Input Watts	76	77	76
Output Lumens	9,516	9,717	9,559
Lumens Per Watt	125	127	126
Color Accuracy (CRI)	71	71	71

Specifications

UL Listing

Suitable for wet locations. Suitable for mounting within 4' of the ground.

Lifespan

100,000-hour LED lifespan based on IES LM-80 results and TM-21 calculations

Drivers

Constant Current, 2000mA, Class 2 with 4 kV surge protection, 120V: 0.66A; 208V: 0.41A; 240V: 0.35A; 277V: 0.30A; 50/60 Hz, THD ≤20%, Power Factor: 99%

Cold Weather Starting

Minimum starting temperature is -40°C (-40°F).

Ambient Temperature

Suitable for use in 40°C (104°F)

Thermal Management

Superior heat dissipation with external patented Airflow fins to extend LED lifespan

Housing

Precision die-cast aluminum housing and hood

Reflector

Specular vacuum metalized polycarbonate for smooth light distribution and low glare

Gaskets

High-temperature silicone. O-Ring gasketed plug.

Precision optics

NEMA Type
6H x 6V distribution



Keeps cool

External fins for optimal heat dissipation



Mounting options

Slipfitter and trunnion options available



Ordering information

Product Family	Wattage	Mounting	Color Temp	Finish Color	Driver Options	Photocell Options
FXLED	78					
		SF Slipfitter T Trunnion	Blank 5000K N 4000K Y 3000K	Blank Bronze W White	/480 480V /BL Bi-Level* /D10 0 - 10V dimming <i>*Slipfitter model only</i>	/PCT 100 - 277V Twistlock /PCT4 480V Twistlock

Accessories

Catalog

GDFXLED78W

Wire Guard

GDFFXED78P

Shield

LFXLED78

Replacement lens and doorframe

LFXLED78W

Replacement lens and doorframe, White

Color lens



With 11 color choices available that create a smooth, uniform effect, RAB's lenses are an affordable option for coloring your world.

Product Family

CF

Fixture

FX150

Filter Color

B Blue
LB Light Blue
G Green
MG Medium Green
LG Light Green
R Ruby Red
MR Cherry Red
MA Medium Amber
LA Light Amber
PP Pale Purple
Y Yellow

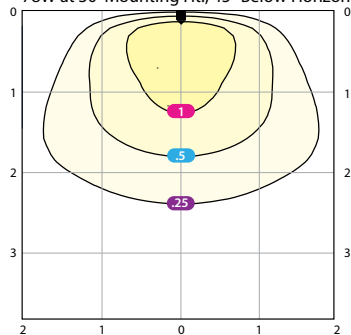
Frame Finish

A Bronze
W White

Photometrics

FXLED78

78W at 30' Mounting Ht., 45° Below Horizon



Grid Scale: Multiples of mounting height, values shown in footcandles

Recessed LED module and optimized reflector provide smooth light distribution with no hot spots and low glare.

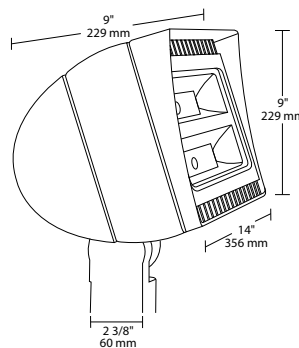
RAB lighting design engineers can create a custom lighting layout for your job. For free.

Photometric Report #TL79506

Dimensions & weight

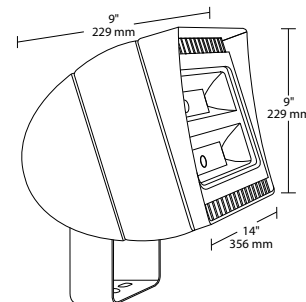
Slipfitter mount

Weight: 24.0 lbs / 10.9 kg

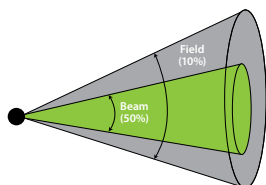


Trunnion mount

Weight: 25.0 lbs / 11.3 kg



Field & beam angles



FXLED78 - NEMA Type 6H x 6V

	Beam Angle (50%)	Field Angle (10%)
Horizontal	92°	121°
Vertical	74°	108°

Percentages represent percentage of maximum beam candlepower.



Please visit rabweb.com to see which models are DLC or DLC Premium listed.