

wallpacks

12W entry light

Economical doorway light with durable, vandal-resistant polycarbonate housing. Replace HID or CFL wallpacks with efficient, low-maintenance LED.



Performance

Equivalent Replaces 70W HPS
50-70W HPS

Color Temperature (CCT)	3000K	4000K	5000K
Input Watts	14	14	14
Output Lumens	876	982	1284
Lumens Per Watt	62	71	89
Color Accuracy (CRI)	84	88	70

Specifications

UL Listing

Suitable for wet locations as downlight. Suitable for mounting within 4 ft. of the ground. Wall mount only.

Lifespan

100,000-hour LED lifespan based on IES LM-80 results and TM-21 calculations

Drivers

Constant Current, 350mA, Class 2 with 4 kV surge protection, 120V: 0.12A, 208V: 0.08A, 240V: 0.07A, 277V: 0.06A; 50/60 HZ, THD <20%, Power Factor: 99%

Cold Weather Starting

Minimum starting temperature is -40°C (-40°F).

Ambient Temperature

Suitable for use in 40°C (104°F)

Thermal Management

Superior thermal management with internal Airflow fins to extend LED lifespan

Housing

Durable vandal-resistant polycarbonate housing

Mounting

Heavy die-cast aluminum with 1/2" back knockout and mounting template for mounting to 4" box

Reflector

White aluminum reflector topped with vacuum metalized polycarbonate LED reflector for smooth light distribution and low glare

Gaskets

High-temperature silicone. O-Ring gasketed plug.

IP Rating

Ingress Protection rating of IP66 for dust and water.

Durable

Durable vandal-resistant polycarbonate housing



Options

Various photocell options available



Low profile

ADA compliant, extends only 3 inches from wall



Ordering information

Product Family

ENTRA

Wattage

12

Color Temp

Blank 5000K
N 4000K
Y 3000K

Finish Color

Blank Bronze
W White

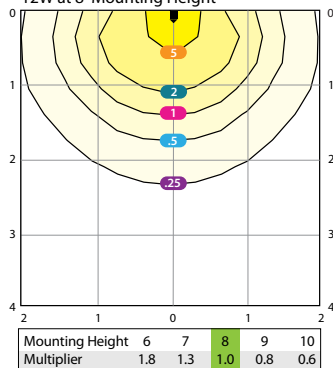
Photocell Options

/PC 120V
/PC2 277V
/PCS 120V Swivel
/PCS2 277V Swivel

Photometrics

ENTRA12

12W at 8' Mounting Height



Grid Scale:
 Multiples of mounting height,
 values shown in footcandles

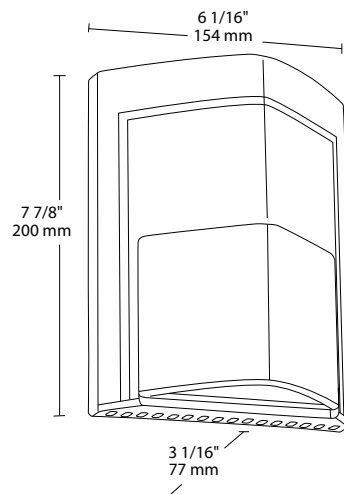
Recessed LED module and
 optimized reflector provide
 smooth light distribution with
 no hot spots and low glare.

RAB lighting design engineers
 can create a custom lighting
 layout for your job. For free.

Photometric Report #ITL76948

Dimensions & weight

Weight: 3 lbs / 1.4 kg



For use on LEED buildings
 to attain Light Pollution
 Reduction Credit

