

floodlights

12W Wide floodlight

Wide distribution landscape flood replaces 75W halogen. Smooth diffuse light with no glare or hot spots. Available in four color finishes.



Performance

Equivalent Replaces 75W BR/Halogen
75W BR/Halogen

NEMA Type	6H x 6V		
Color Temperature (CCT)	3000K	4000K	5000K
Input Watts	13	13	13
Output Lumens	800	832	957
Lumens Per Watt	61	64	74
Color Accuracy (CRI)	83	84	84

Specifications

UL Listing

Suitable for wet locations. Suitable for mounting within 4' of the ground.

Lifespan

100,000-hour LED lifespan based on IES LM-80 results and TM-21 calculations

Driver

Innovative integrated driver technology with 120V TRIAC and ELV dimming

Cold Weather Starting

Minimum starting temperature is -40°C (-40°F).

Ambient Temperature

Suitable for use in 40°C (104°F)

Thermal Management

Superior heat dissipation with external Airflow fins to extend LED lifespan

Housing

Precision die-cast aluminum housing, lens frame and mounting plate

Reflector

Semi-specular, vacuum-metalized polycarbonate

Lens

Microprismatic diffusion lens for smooth light distribution and low glare

Gaskets

High-temperature silicone gaskets

IESNA LM-79 & LM-80 Testing

RAB LED luminaires have been tested by an independent NVLAP Certified laboratory in accordance with IESNA LM-79 and LM-80, and have received the Department of Energy "Lighting Facts" label.

Smooth distribution

Microprismatic diffusion lens produces clean light distribution



Options

Available in single or dual head configurations



Colorful

Available in multiple finishes



Ordering information

Product Family

BULLET

Wattage

12 12W
2X12 24W

Color Temp

Blank 5000K
N 4000K
Y 3000K

Finish Color

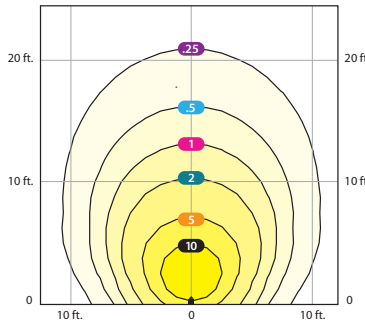
A Bronze
B Black
VG Verde Green*
W White

*On Bullet12 only

Photometrics

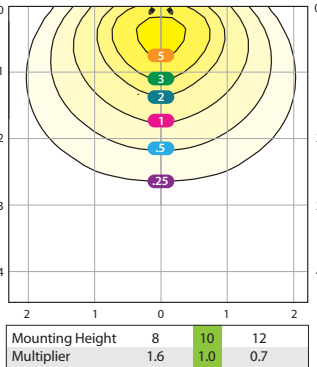
BULLET12

12W LED at 5' Setback
45° Above Horizon



BULLET2X12

24W at 10' Mounting Height
Bullets aimed 45° below horizontal,
30° either side of center



Grid Scale:

Multiples of Mounting Height, Values shown in Footcandles. Recessed LED module and optimized reflector provide smooth light distribution with no hot spots and low glare.

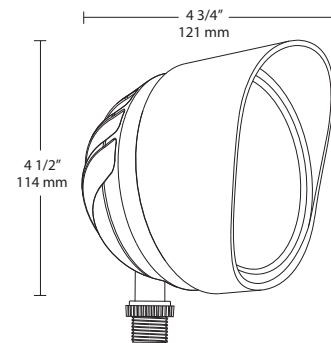
RAB lighting design engineers can create a custom lighting layout for your job. For Free.

Photometric Report #ITL80692

Dimensions & weight

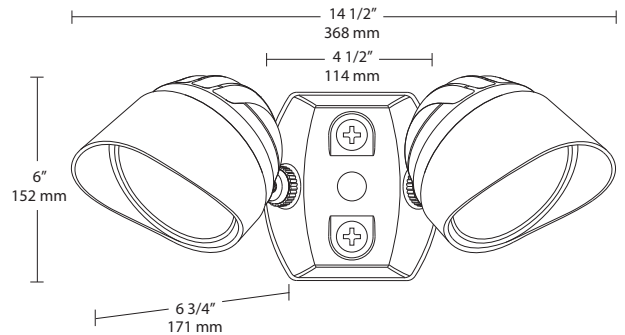
BULLET12

Weight: 3.4 lbs / 1.5 kg

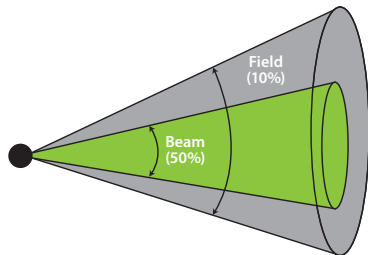


BULLET2X12

Weight: 6.3 lbs / 2.9 kg



Field & beam angles



BULLET12 - NEMA Type 6H x 6V

	Beam Angle (50%)	Field Angle (10%)
Horizontal	72°	116°
Vertical	70°	111°

Percentages represent percentage of maximum beam candlepower.



BULLET12 &
BULLET12N only