

# Ordering information

Product Family	Wattage	Color Temp	Finish Color	Driver Options
BAYLED	78		W	
		<b>Blank</b> 5000K <b>N</b> 4000K <b>Y</b> 3000K	<b>W</b> White	<b>/BL</b> Bi-Level

## Accessories

### Catalog #

**GDBAYLED78W** Wire Guard, Chrome

**GDBAYLED78P** Polyshield Guard, Clear

**GDBAYLED78FP** Polyshield Guard, Frosted

**LFBAYLED78W** Replacement Lens & Frame, White

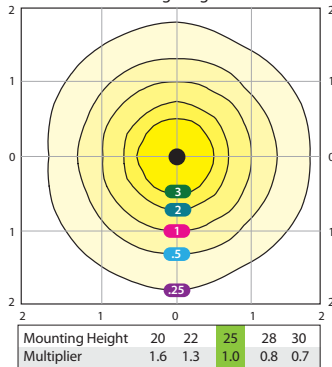
**LOSBAY800** High Bay Occupancy Sensor, White

**LOSBAYMK** Mounting Kit (For AISLELED78 Only)

## Photometrics

### BAYLED78W

78W at 25' Mounting Height



**Grid Scale:**  
Multiples of mounting height, values shown in footcandles

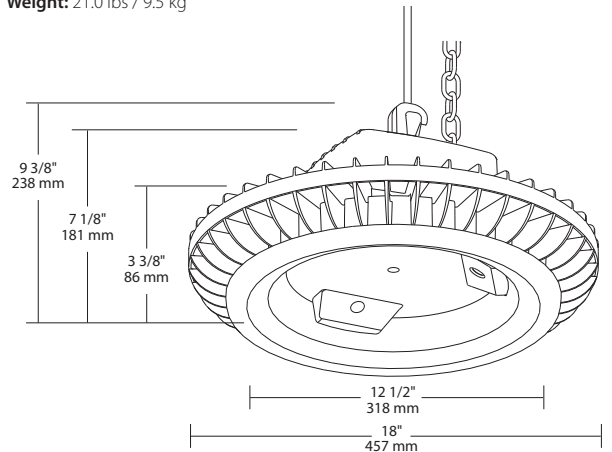
Recessed LED module and optimized reflector provide smooth light distribution with no hot spots and low glare.

RAB lighting design engineers can create a custom lighting layout for your job. For free.

Photometric Report #ITL79693

## Dimensions & weight

**Weight:** 21.0 lbs / 9.5 kg



# Ordering information

## Product Family

AISLED

## Wattage

78

## Color Temp

Blank 5000K  
N 4000K  
Y 3000K

## Finish Color

W White

## Driver Options

/BL Bi-Level

## Accessories

### Catalog #

**GDBAYLED78W** Wire Guard, Chrome

**GDBAYLED78P** Polyshield Guard, Clear

**GDBAYLED78FP** Polyshield Guard, Frosted

**LFBAYLED78W** Replacement Lens & Frame, White

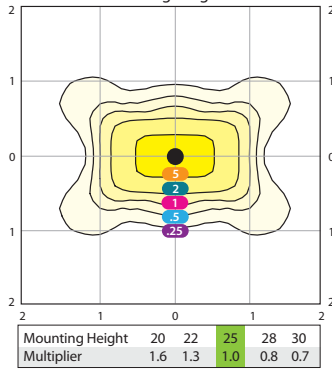
**LOS8AY800** High Bay Occupancy Sensor, White

**LOS8AYMK** Mounting Kit (For AISLELED78 Only)

## Photometrics

### AISLED78W

78W at 25' Mounting Height



Grid Scale:  
Multiples of mounting height,  
values shown in footcandles

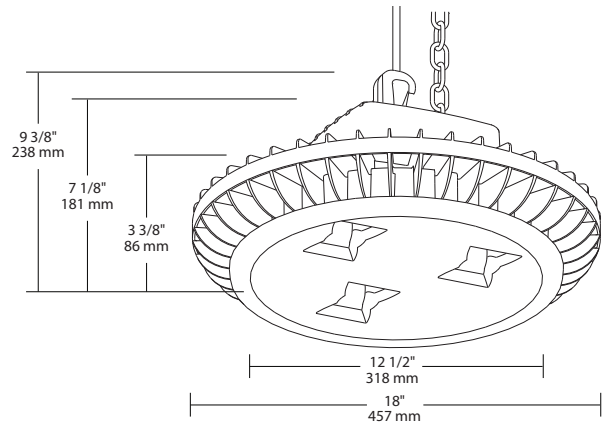
Recessed LED module and  
optimized reflector provide  
smooth light distribution with  
no hot spots and low glare.

RAB lighting design engineers  
can create a custom lighting  
layout for your job. For free.

Photometric Report #ITL74387

## Dimensions & weight

Weight: 21.0 lbs / 9.5 kg



# Ordering information

Product Family	Wattage	Color Temp	Finish Color	Driver Options
BAYLED	104		W	
		<b>Blank</b> 5000K <b>N</b> 4000K <b>Y</b> 3000K	<b>W</b> White	<b>/BL</b> Bi-Level

## Accessories

### Catalog #

**GDBAYLED78W** Wire Guard, Chrome

**GDBAYLED78P** Polyshield Guard, Clear

**GDBAYLED78FP** Polyshield Guard, Frosted

**LFBAYLED78W** Replacement Lens & Frame, White

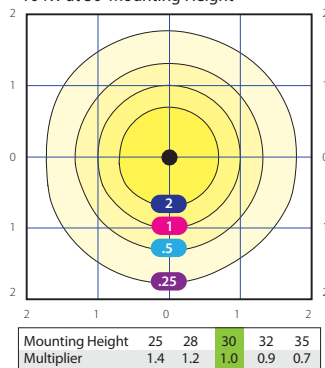
**LOSAY800** High Bay Occupancy Sensor, White

**LOSAYMK** Mounting Kit (For AISLELED78 Only)

## Photometrics

### BAYLED104W

104W at 30' Mounting Height



Grid Scale:  
Multiples of mounting height,  
values shown in footcandles

Recessed LED module and  
optimized reflector provide  
smooth light distribution with  
no hot spots and low glare.

RAB lighting design engineers  
can create a custom lighting  
layout for your job. For free.

Photometric Report #ITL82098

## Dimensions & weight

**Weight:** 21.0 lbs / 9.5 kg

