

# panels

## 2x2 34W Panel

Edge-to-edge light in a clean, elegant design with optional 0-10V dimming. Delivers up to 3430 lumens with high efficacy.



### Performance

**Wattage** 34  
**Replaces** 2x2 fluorescent troffers

Color Temperature (CCT)	3000K	3500K	4000K
<b>Input Watts</b>	34	34	33
<b>Output Lumens</b>	4409	4383	4285
<b>Lumens Per Watt</b>	131	131	130
<b>Color Accuracy (CRI)</b>	82	83	83

*Note: Values shown for 0-10V dimming driver. Please visit [rabweb.com](http://rabweb.com) for details on On/Off driver.*

### Specifications

#### UL Listing

Suitable for damp locations

#### Lifespan

100,000-hour LED lifespan based on IES LM-80 results and TM-21 calculations

#### IC Rating

Suitable for insulated ceilings

#### LEDs

Long-life, high-efficiency, micro-power surface mount LEDs; binned and mixed for uniform light output and color

#### Driver

**0-10V:** Constant Current, Class 2, 100-277V, 50/60Hz, 4kV Surge Protection, 700mA, 120V: 0.29A, 208V: 0.17A, 240V: 0.15A, 277V: 0.13A, 50/60Hz, Power Factor 99%, THD  $\leq$ 10%.

**On/Off:** Constant Current, 700mA, Class 2 with 4 kV surge protection, 120V: 0.28A, 208V: 0.17A, 240V: 0.15A, 277V: 0.13A, 50/60Hz, Power Factor 97.9%, THD  $\leq$  20%.

#### Dimming

Available as On/Off or with 0 - 10V dimming driver which dims as low as 10%

#### Lens

High-transmission frosted acrylic lens with excellent distribution and uniformity

#### Housing

Lightweight housing is constructed of extruded aluminum and steel with high reflectance paint

#### Installation

Modular splice box/driver compartment for quick installation. Integral Tee-grid ceiling clips make installation easy and secure.

#### IESNA LM-79 & LM-80 Testing

RAB LED luminaires have been tested by an independent NVLAP Certified laboratory in accordance with IESNA LM-79 and LM-80, and have received the Department of Energy "Lighting Facts" label.

#### Dimming control

Optional 0-10V driver available



#### Smooth distribution

Edge-to-edge light delivers even illumination



#### Send for backup

Emergency battery backup option is available



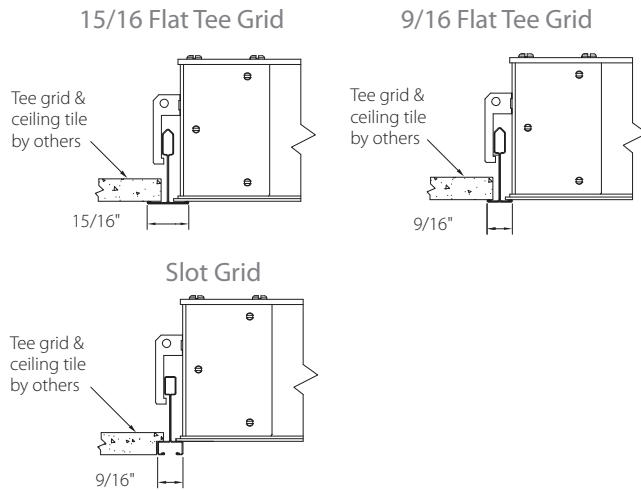
# Ordering information

Product Family	Size	Wattage	Color Temp	Dimming	Emergency Battery Backup
PANEL	2X2	34	Y 3000K YN 3500K N 4000K	Blank /D10 On/Off 0 - 10V dimming	Blank /E2 None 120V-277V

## Accessories

Recessed mounting kit: RMKPANEL2x2

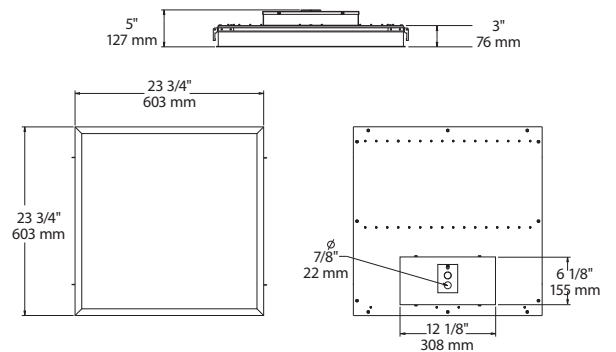
## Mounting



## Dimensions & weight

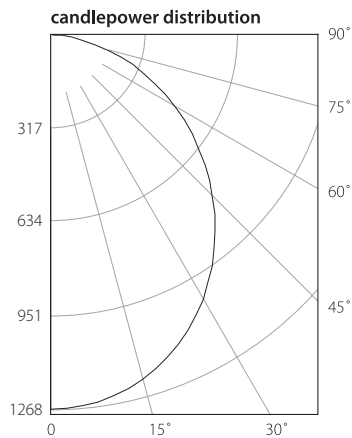
### 2x2 Panel

Weight: 21.0 lbs / 9.5 kg



## Photometrics

### 2X2 CEILING PANEL - 34W - 3500K



### candela distribution

vertical deg.	0.0	22.5	45.0	67.5	90.0
0	1268	1268	1268	1268	1268
5	1261	1262	1263	1262	1261
15	1209	1209	1209	1209	1209
25	1103	1103	1105	1105	1103
35	956	955	956	956	956
45	778	779	781	780	782
55	587	588	589	588	591
65	392	393	393	392	394
75	203	202	202	203	203
85	39	39	39	40	39
90	0	0	0	0	0

### zonal lumen summary

zone	lumens	% fix.
0- 30	969	28.9
0- 40	1566	46.8
0- 60	2694	80.5
0- 90	3347	100.0
90-180	0	0.0
0-180	3347	100.0

### luminance (cd/M<sup>2</sup>)

angle	avg. luminance		
	0°	45°	90°
45	3499	3513	3518
55	3258	3270	3275
65	2951	2958	2966
75	2492	2479	2492
85	1435	1435	1435

### spacing criteria

0° - 180°	90° - 270°	Diagonal
1.22	1.22	1.34

LUMENS PER WATT: 93

Photometric Report #ITL80211MOD



SUITABLE FOR WET LOCATIONS



5-Year  
No Compromise  
Warranty



See [rabweb.com/title24](http://rabweb.com/title24)



LED Product Partner



888 722 1000  
rabweb.com

**RAB**