



Two adjustable 12W LED floodlights. Equivalent to 2x75W BR30/halogen/wide floods. Comes with sensor with 180° detection pattern at up to 30 ft.

Color: White

Weight: 6.8 lbs

Project:

Type:

Prepared By:

Date:

Driver Info

Type: Constant Current
 120V: 0.22A
 208V: N/A
 240V: N/A
 277V: N/A
 Input Watts: 26W
 Efficiency: 92%

LED Info

Watts: 24W
 Color Temp: 4000K (Neutral)
 Color Accuracy: 84 CRI
 L70 Lifespan: 100,000
 Lumens: 1,664
 Efficacy: 64 LPW

Technical Specifications

Listings

UL Listing:

Suitable for wet locations, wall mount only

IESNA LM-79 & LM-80 Testing:

RAB LED luminaires have been tested by an independent laboratory in accordance with IESNA LM-79 and LM-80, and have been received the Department of Energy "Lighting Facts" label.

Other

ENERGY STAR:

This product is ENERGY STAR® qualified.

California Title 24:

SMSBULLET2x12 complies with 2013 California Title 24 building and electrical codes as a residential outdoor lighting fixture and as a commercial outdoor non-pole-mounted fixture ≤ 30 Watts.

Sensor Power Consumption (when idle):

1 Watt

Sensor LED:

Sensor indicator LED glows red day & night for "on guard" deterrence

"No Hands" Auto Testing:

Auto mode starts after 4 minutes of testing. No adjustment needed.

Photoelectric Control:

Deactivates lights during daylight. Fully adjustable for 24-hour operation or custom applications.

Adjustments:

Time, ambient light & sensitivity

Warranty:

RAB warrants that our LED products will be free from defects in materials and workmanship for a period of ten (10) years from the date of delivery to the end user, including coverage of light output, color stability, driver performance and fixture finish.

LED Characteristics

LEDs:

Multi-chip, high-output, long-life LEDs

Lifespan:

100,000-Hour LED lifespan based on IES LM-80 results and TM-21 calculation

Color Stability:

LED color temperature is warranted to shift no more than 200K in CCT over a 5 year period.

Color Uniformity:

RAB's range of CCT (Correlated Color Temperature) follows the guidelines of the American National Standard for Specifications for the Chromaticity of Solid State Lighting (SSL) Products, ANSI C78.377-2011.

Construction

Thermal Management:

Superior heat sinking with external Air-Flow fins

Housing:

Die-cast aluminum housing, lens frame and mounting plate

Reflector:

Semi-specular, vacuum-metalized polycarbonate

Lens:

Microprismatic diffusion lens for smooth and even light distribution

Mounting:

Heavy-duty mounting arm with "O" ring seal and stainless steel screws

Gaskets:

High-temperature silicone gaskets

Finish:

Our environmentally friendly polyester powder coatings are formulated for high-durability and long-lasting color, and contain no VOC or toxic heavy metals.

Green Technology:

Mercury and UV free, and RoHS compliant. Polyester powder coat finish formulated without the use of VOC or toxic heavy metals.

Electrical

Switching Capacity:

500 Watts of LED BULLET12 floods

Voltage:

120VAC, 60Hz.

Surge Protection:

Withstands up to 3000 Volts

Manual Override:

Double flip wall switch logic prevents activation by momentary power outages. Override resets to auto at dawn. No extra wiring needed.

Technical Specifications (continued)

Electrical

RF Immunity:

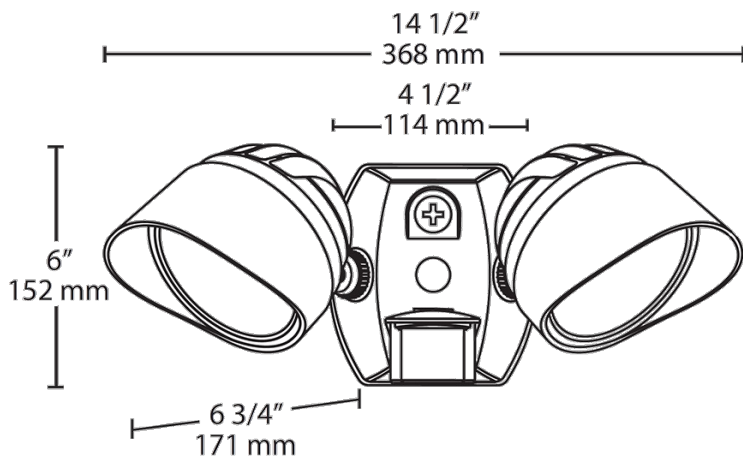
Circuits fully shielded for maximum radio frequency immunity

Sensor Characteristics

Time Adjustment:

5 seconds to 15 minutes

Dimensions



Features

- Two adjustable 12W LED floodlights
- Equivalent to 2x75W BR30/halogen/wide floods
- Sensor with 180° detection pattern at up to 30 ft.
- Photo control keeps lights off during the daytime
- Microprismatic diffusion lens optimizes light output without glare
- 10-Year warranty on full fixture & sensor assembly
- 100,000-hour LED Lifespan