

Aluminum Pole Slipfitters for mounting fixtures or boxes to top of poles or posts. 1/2" top tap standard. 3/4" top tap on R5-3/4 and R7-3/4 only. Set screws provided.

Color: Natural

Weight: 0.4 lbs

| | |
|---------------------|--------------|
| Project: | Type: |
| Prepared By: | Date: |

Technical Specifications

Listings

UL Listing:

Suitable for wet locations.

Other

Outlet Box Construction:

Precision die cast aluminum.

Country of Origin:

Designed by RAB in New Jersey and assembled in Taiwan.

Trade Agreements Act Compliant:

This product is a product of Taiwan and a "designated country" end product that complies with the Trade Agreements Act.

GSA Schedule:

Suitable in accordance with FAR Subpart 25.4.

Construction

Outlet Box Mounting Lugs:

16 gauge corrosion protected steel with Phillips Flat head mounting screws.

Ground Screw:

#10-24 Green corrosion protected steel slotted hex washer head screw provided in pre-tapped hole.

Fits Pipe:

2".

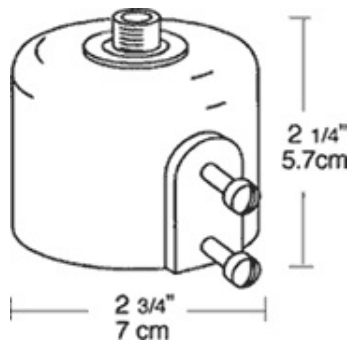
Pipe O.D.:

2 3/8.

Material:

Aluminum.

Dimensions



Features

Heavy die cast aluminum

Set screws provided