



# QF500P



JOB NAME: \_\_\_\_\_  
 DATE: \_\_\_\_\_  
 TYPE: \_\_\_\_\_

## DESCRIPTION

Light weight 500 watt worklight with heavy duty clamp and hook for quick and easy positioning. Weatherproof on/off switch, tempered glass and extra deep guard. 5' power cord with grounded plug. 500 watt, 130 volt Lamp supplied.

## SPECIFICATIONS

### UL Listing

Suitable for wet locations

### Housing

Precision die cast aluminum

### Lens Gasket

High temperature tubular silicone in retaining groove remains in place during relamping

### Reflector

Pebbled, anodized aluminum

### Socket

Porcelain with spring loaded contacts

### Lens

Tempered, shock resistant glass

### Power Cord

Heavy duty rubber clad with grounded plug

### Finish

Chip and fade resistant polyester powder coating

### Patents

RAB sensor and fixture designs are protected under U.S. and International Intellectual Property laws

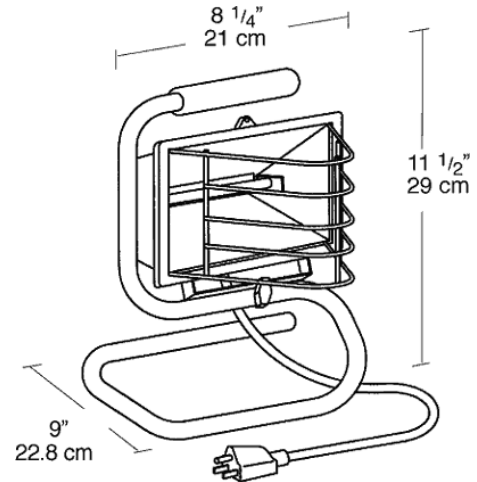
### Color

Safety Yellow

### Weight

3.75

## DIMENSIONS



## ORDERING INFORMATION

**Double Ended Quartz Halogen**  
 Lamp supplied with fixture

Total Watts	Lamp Type	Lamp Base	Ballast
500	0	Double Ended	RSC

Starting Amps/ Operating Amps			
120V	208V	240V	277V

Input Watts	LAMP ANSI	Initial Lumens	Lamp Hours
0.0	0	10500	2000

**Factory Installed Options**  
 Add suffix to Catalog Number

Note: Specifications may change without notice