



Gotcha Sensor with 110° view, surge protection, 500 Watt switching capacity, auto test logic and manual override.

Color: White

Weight: 0.8 lbs

Project:	Type:
Prepared By:	Date:

Technical Specifications

Listings

UL Listing:

Suitable for wet locations.

Electrical

Voltage:

120 volts AC 60 Hz.

Power Consumption:

1W

Surge Protection:

Withstands up to 6000 volts.

Wall Switch Manual Override:

Two flip logic prevents activation by momentary power outages. Override resets to auto after 6 hours or at dawn. No extra wiring needed.

Switching Capacity:

500 watts Incandescent @120 volts, 5 amps 250 watts Fluorescent.

Sensor Characteristics

Time Adjustment:

10 seconds to 5 minutes.

Sensor Housing:

Made of tough, corrosion resistant polycarbonate.

Detection:

110° view.

Other

Photoelectric Control:

Deactivates lights during daylight.

Detector Sensitivity:

Adjustable from 100% to 50%.

Warranty:

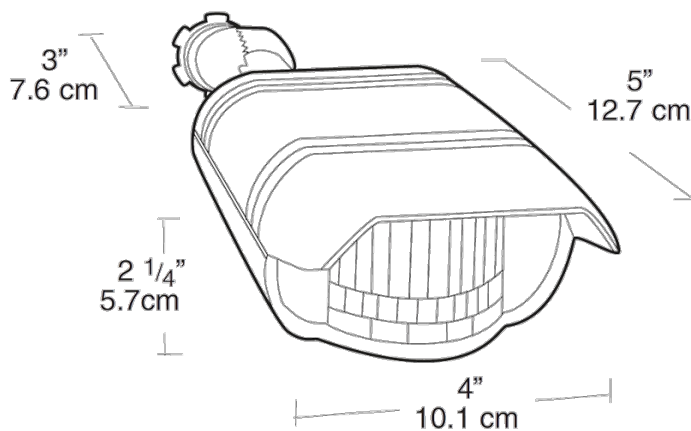
5 year sensor warranty.

Construction

Floodlights:

Made of tough, corrosion-resistant polycarbonate. For extra or replacement floodlights, order cat# TUFFY in your choice of color. Accepts PAR-38 lamps, medium base, 150 watts max. Lamps not included.

Dimensions



Features

- 500 Watt switching capacity
- New vandal resistant grill
- 6000 volt surge protection
- Temperature compensation
- Protected manual override with auto reset
- Double look down lens
- 5 year warranty