



LED retrofit downlights are perfect for updating existing recessed lighting without changing the fixture. Equivalent to 90W Par.

Color: White

Weight: 1.4 lbs

**Project:**

**Type:**

**Prepared By:**

**Date:**

#### Driver Info

Type: Constant Current  
 120V: 0.11A  
 208V: N/A  
 240V: N/A  
 277V: N/A  
 Input Watts: 13W  
 Efficiency: 91%

#### LED Info

Watts: 12W  
 Color Temp: 3000K (Warm)  
 Color Accuracy: 86 CRI  
 L70 Lifespan: 100,000  
 Lumens: 764  
 Efficacy: 58 LPW

## Technical Specifications

### Listings

#### UL Listed:

Suitable for damp locations.

#### IESNA LM-79 & LM-80 Testing:

RAB LED luminaires have been tested by an independent laboratory in accordance with IESNA LM-79 and LM-80, and have received the Department of Energy "Lighting Facts" label.

### Electrical

#### Driver:

Innovative integrated driver technology with 120V TRIAC and ELV dimming.

#### Surge Protection:

2.5KV

### Construction

#### Lens:

Polycarbonate diffusion lens for smooth light output.

#### Compatibility:

Low-profile design for maximum compatibility with 6" incandescent recessed downlight housings.

#### Ambient Temperature:

Suitable for use in 40°C ambient temperatures.

#### Cold Weather Starting:

The minimum starting temperature is -22°F/-30°C.

#### Housing:

Professional-grade, die-cast aluminum construction.

#### Adapters:

Edison E26 medium base adapter included. GU24 socket adapter sold separately.

#### Installation:

Pre-installed Torsion springs and optional friction clips are both included to aid in attaching and securing the 6" DLED to the incandescent housing.

#### Finish:

Our environmentally friendly polyester powder coatings are formulated for high-durability and long-lasting color, and contains no VOC or toxic heavy metals.

#### Green Technology:

Mercury and UV free, and RoHS compliant.

### LED Characteristics

#### Lifespan:

100,000-hour LED lifespan based on IES LM-80 results and TM-21 calculations.

#### LEDs:

High-output, long-life LEDs with 3 step binning and integrated driver technology.

#### Color Consistency:

3-step MacAdam Ellipse binning to achieve consistent fixture-to-fixture color.

### Other

#### ENERGY STAR:

This product is ENERGY STAR® qualified.

#### Equivalency:

12W replaces 90W Par.

#### California Title 24:

DLED6R12 complies with 2013 California Title 24 building and electrical codes as a commercial indoor fixture for general spaces when used with a vacancy sensor and TRIAC dimming control. Select a vacancy sensor using catalog number LVS800. TRIAC dimmer provided by others.

#### Warranty:

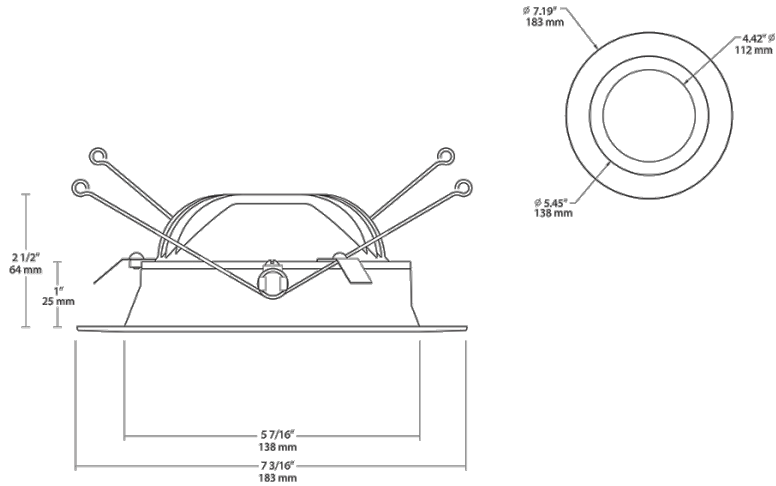
RAB warrants that our LED products will be free from defects in materials and workmanship for a period of five (5) years from the date of delivery to the end user, including coverage of light output, color stability, driver performance and fixture finish.

### Optical

#### Spacing Criteria:

0-180° (along): 1.13.

## Dimensions

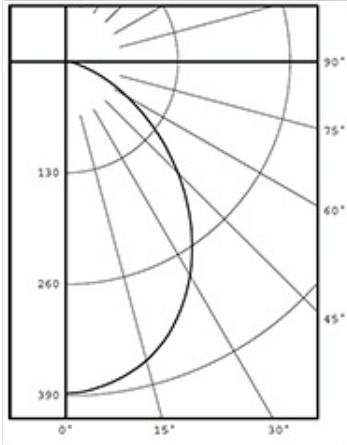


## Features

- Low-profile enables compatibility with 6" housings
- UL Listed for damp locations
- Triac & ELV dimmable
- 5-year warranty

## Photometrics

### candlepower distribution



### candela distribution

vertical deg.	candelas
0	387
5	383
15	361
25	317
35	255
45	184
55	113
65	55
75	17
85	4
90	0

**LUMENS PER WATT: 57.9**

### cone of light

Mounting Height (ft)	FC	Beam Diameter (ft)
6.0	10.8	6.7
8.0	6.0	9.0
10.0	3.9	11.2
12.0	2.7	13.5
14.0	2.0	15.7
16.0	1.5	18.0

(diameter shown is where fc value is half the fc at nadir)

### zonal lumen summary

zone	lumens	% fix.
0- 30	283	37.1
0- 40	443	57.9
0- 60	686	89.7
0- 90	764	100.0
90-180	0	0.0
0-180	764	100.0

### luminance (candela/M<sup>2</sup>)

degrees	avg. luminance
45	17369
55	13150
65	8687
75	4384
85	3063

## Ordering Matrix

Family	Size	Shape	Watts	Color Temp	Type
DLED	6 = 6"	R = Round	8 = 8W 12 = 12W	YY = 2700K (Residential Warm) Y = 3000K (Warm) YN = 3500K (Warm Neutral)	= Without Baffle /BAF = With Baffle