

Please go to www. quozel. com for product cleaning tips. Go to the **Care + Maintenance** selection.

Tools Required: Flathead screwdriver, Phillips screwdriver, pliers, wire cutters, wire strippers, electrical tape, safety glasses.

Light Source: (3) A19 Medium Base Bulbs 60W Maximum

Estimated Assembly Time: 30-45 minutes

Preparation: Identify and inspect all parts before beginning installation. Check package content list and diagrams below to be sure all parts are present. If any parts are missing or damaged, do not attempt to assemble, install, or operate the fixture. Contact customer service for replacement parts.

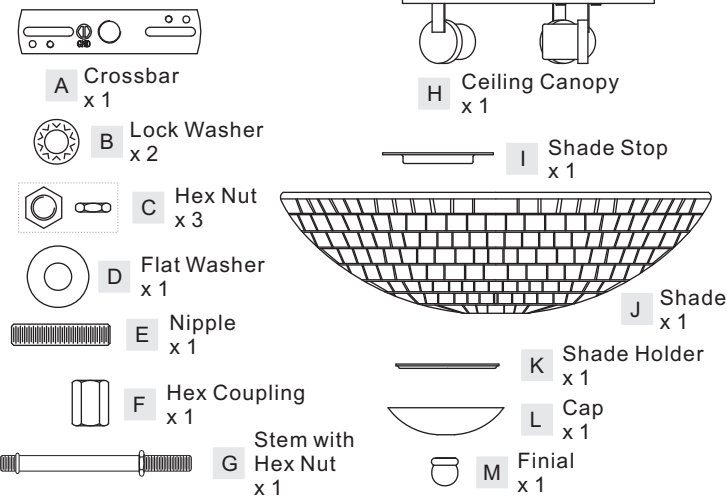
⚠ Warnings and Cautions

Turn off electricity at circuit breaker or main fuse box before installation. Consult a licensed electrician if in doubt.

These instructions are provided for your safety. It is very important you read them completely before installing the fixture. We strongly recommend that a licensed, professional electrician perform the installation.

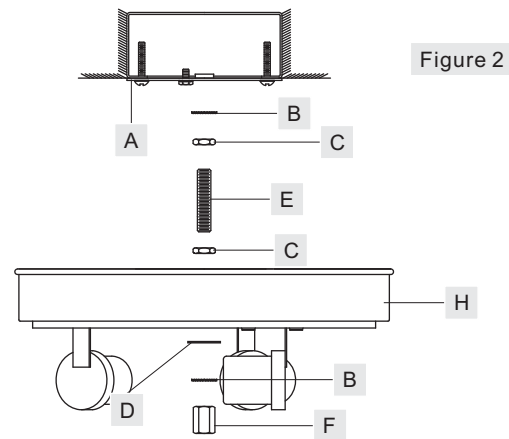
Disconnect fixture from power source before replacing bulbs. Make sure bulbs are given sufficient time to cool before removal.

Package Contents



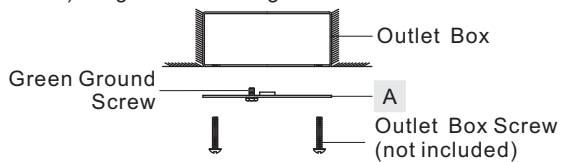
(Step 2 Continued)

D. Thread another Hex Nut (C) onto the end of Nipple (E) and adjust it just enough so that the inside surface of Ceiling Canopy (H) rests against it. You may have to trial fit Ceiling Canopy (H) one more times to insure this distance also. This Hex Nut (C) is needed here to prevent you from crushing down the center of Ceiling Canopy (H).



STEP 1 - Install Crossbar

A. Attach the Crossbar (A) to the Outlet Box with the head of the Green Ground Screw facing you. Secure it with Outlet Box Screws (not included). Tighten until snug.

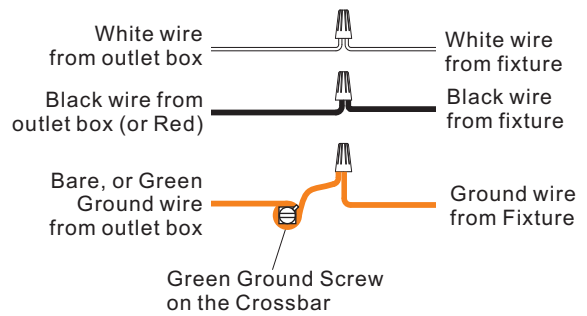


STEP 2 - Install Nipple and Hex Nuts

- Thread one Hex Nut (C) to the middle of Nipple (E). Place one Lock Washer (B) over Nipple (E) and then thread Nipple (E) into Crossbar (A) until the Nipple (E) is about 0.375" above Crossbar (A).
- Place Ceiling Canopy (H), Flat Washer (D) and another Lock Washer (B) over Nipple (E) against the ceiling to determine the correct position of Nipple (E). Adjust Nipple (E) to allow Ceiling Canopy (H) to rest against the ceiling when held in place by Hex Coupling (F).
- Remove Hex Coupling (F), one Lock Washer (B), Flat Washer (D) and Ceiling Canopy (H). Tighten Hex Nut (C) against Crossbar (A) to secure in place.

STEP 3 - Wire Connections

- Wrap bare or green ground wire around green ground screw on the crossbar, no less than 2 inches from the end of the wire. Tighten the green ground screw.
- Use standard wire connectors (not included) to make all wire connections. Twist connectors until wires are tightly joined together. Wrap each connection with approved electrical tape and carefully stuff all the connected wires into the Outlet Box.



Thank you for purchasing a Quoizel product.
Need assistance with parts or assembly? Call Quoizel customer service at 1-800-645-3184
or visit us on-line at www. quozel. com

STEP 4 - Install Ceiling Canopy

A. Place Ceiling Canopy (H), Flat Washer (D) and another Lock Washer (B) over Nipple (E) and secure with Hex Coupling (F). Hand tighten until snug.

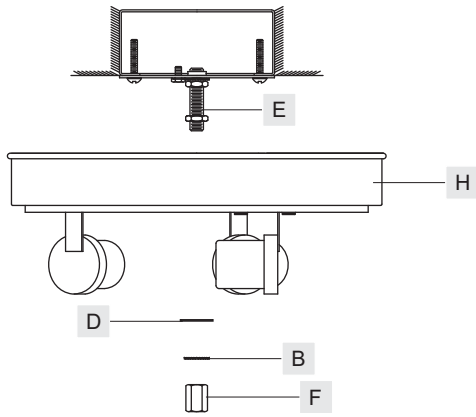
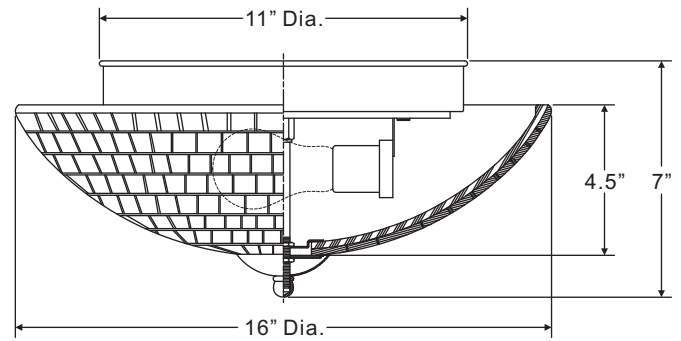
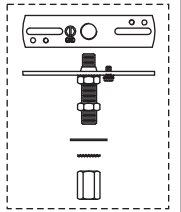


Figure 4

MY1613ML

FINISH: MALAGA



STEP 5 - Install Stem with Hex Nut

A. Thread the beaded end of Stem with Hex Nut (G) into Hex Coupling (F) and hand tighten until snug.

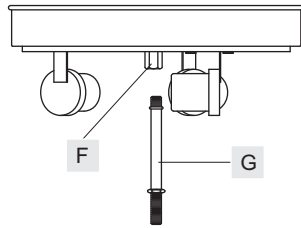


Figure 5

STEP 6 - Install Bulbs, Shade and Cap

- A. Insert bulbs onto sockets and screw snugly into place.
- B. Adjust the hex nut on the bottom of the Stem (G) to proper locations for rest components. Place the Shade Stop (I), the Shade (J) and the Shade Holder (K) over the end of the Stem (G) in turn. Secure by threading the Hex Nut (C) onto the Stem (G). Tighten gently until snug.
- C. Place the Cap (L) over the end of the Stem (G) and secure with the Finial (M). Hand tighten until snug.

Your fixture is now assembled and ready to use. Enjoy!

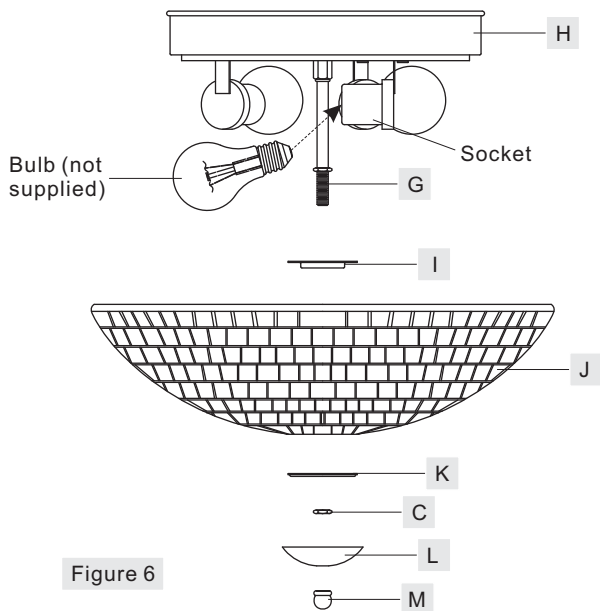
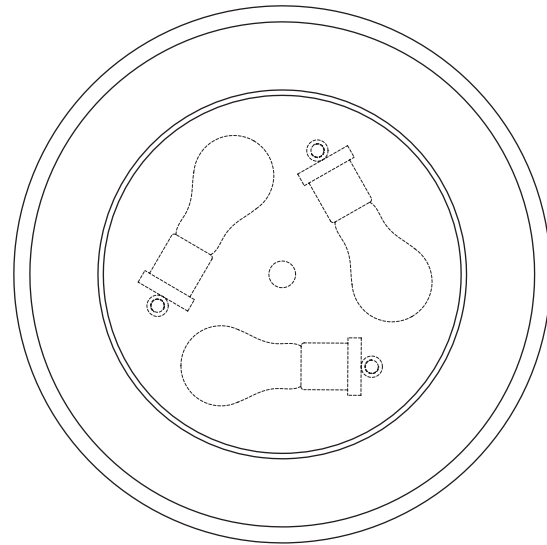


Figure 6



NOTE: ALL DIMENSIONS ARE ROUNDED UP TO THE NEAREST 1/4"

Thank you for purchasing a Quoizel product.
Need assistance with parts or assembly? Call Quoizel customer service at 1-800-645-3184
or visit us on-line at www.quoise.com