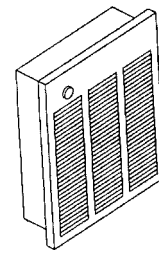


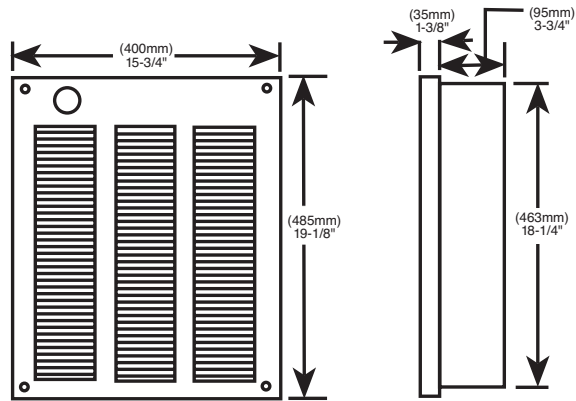


**Marley**  
Engineered Products



# “K” Series Fan Forced Wall Heaters (Model A)

WATTS	VOLTS	Ph
4000	208	3
4000	240	3
4800	208	3
4800	240	3
4800	208	1



FILE #E21609

## Installation & Maintenance Instructions

Dear Owner,

*Congratulations! Thank you for purchasing this new heater manufactured by Marley Engineered Products. You have made a wise investment selecting the highest quality product in the heating industry. Please carefully read the installation and maintenance directions shown in this manual. You should enjoy years of efficient heating comfort with this product from Marley Engineered Products... the industry's leader in design, manufacturing, quality and service.*

*... The Employees of  
Marley Engineered Products*



### WARNING



**Read Carefully** - These instructions are written to help you prevent difficulties that might arise during installation of heaters. Studying the instructions first may save you considerable time and money later. Observe the following procedures and cut your installation time to a minimum.

1. To prevent electrical shock, disconnect all power coming to heater at main service panel before wiring or servicing.
2. All wiring must be in accordance with the National and Local Electrical Codes and the heater must be grounded as a precaution against possible electric shock.
3. Verify the power supply voltage coming to heater matches the ratings printed on the heater nameplate before energizing.
4. This heater is hot when in use. To avoid burns, do not let bare skin touch hot surfaces.
5. Do not insert or allow foreign objects to enter any ventila-

tion or exhaust opening as this may cause an electric shock, fire, or damage to the heater.

6. To prevent a possible fire, do not block air intakes or exhaust in any manner. Keep combustible materials, such as crates, drapes, etc., away from heater. Do not install behind doors, furniture, towels, or boxes.
7. A heater has hot and arcing (sparking) parts inside. Do not use it in areas where gasoline, paint, or flammable liquids are stored.
8. Use this heater only as described in this manual. Any other use not recommended by the manufacturer may cause fire, electric shock, or injury to persons.
9. This heater is not approved for use in corrosive atmospheres such as marine, green house, or chemical storage areas.

**SAVE THESE INSTRUCTIONS**

# IMPORTANT



# WARNING



**DO NOT** INSTALL HEATER UPSIDE DOWN OR SIDEWAYS.  
**DO NOT** USE HEATER WITHOUT GRILLE.

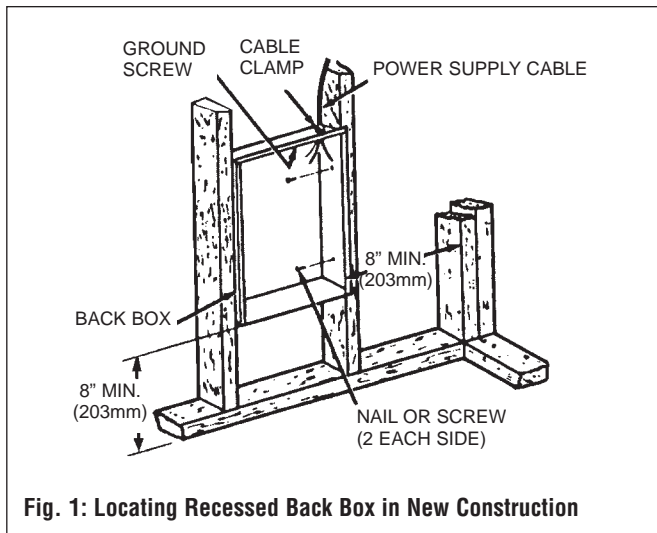
# CAUTION



FOR WALL MOUNTING ONLY. **DO NOT** INSTALL HEATER CLOSER THAN 8" (203 mm) TO THE FLOOR OR ANY ADJACENT WALL SURFACE. **DO NOT** INSTALL CLOSER THAN 36" (915 mm) TO THE CEILING.

## Installation of Recessed Back Box in New Construction

1. Mounting Back Box (See Figure 1).
  - a. Place the back box between two 16" (406mm) center-to-center wall studs at the desired mounting height but no closer than 8" (203mm) to adjacent wall or floor.
  - b. Align back box such that the bottom and sides will be flush with finished wall surface (top flange of back box should protrude approximately 1/2" / 12.7mm from finished wall surface).



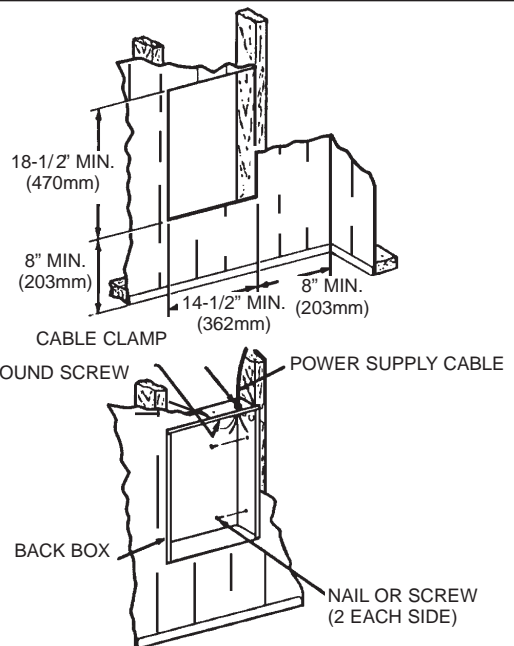
**Fig. 1: Locating Recessed Back Box in New Construction**

- c. Secure the back box in position with wood screws or nails as shown in Figure 1.

### 2. Power Supply Wiring (See Figure 1).

**Note:** Wire Compartment Volume - 119in<sup>3</sup> (1950cm<sup>3</sup>).

- a. Run correctly sized power supply cable into the knockout area in the upper right hand corner of the back box.
- b. Install a cable clamp in the knockout in the top of the back box.
- c. Insert power supply cable through cable clamp, allowing at least 6" (152mm) of leads to extend inside the back box.
- d. Ground the back box by connecting the supply ground leadwire to the green ground screw located in the inside top of the back box.



**Fig. 2: Locating Recessed Back Box in Existing Construction**

## Installation of Recessed Back box in Existing Construction

1. Provide a wall opening 14-1/2" (362mm) wide x 18-1/2" (470mm) high at the desired mounting height, but no closer than 8" (203mm) to adjacent wall. (See Figure 2.)

### 2. Power Supply Wiring

**NOTE:** (Wiring Compartment Volume - 119in<sup>3</sup> (1950cm<sup>3</sup>).

- a. Run correctly sized power supply cable into the area above the top of the wall opening.
- b. Install a cable clamp in the knockout in the top of back box.
- c. Insert power supply cable through cable clamp, allowing at least 6" (152mm) of cable length to remain inside the back box to facilitate connections.
- d. Ground the back box by connecting the supply ground leadwire to the green ground screw located in the inside top of the back box.

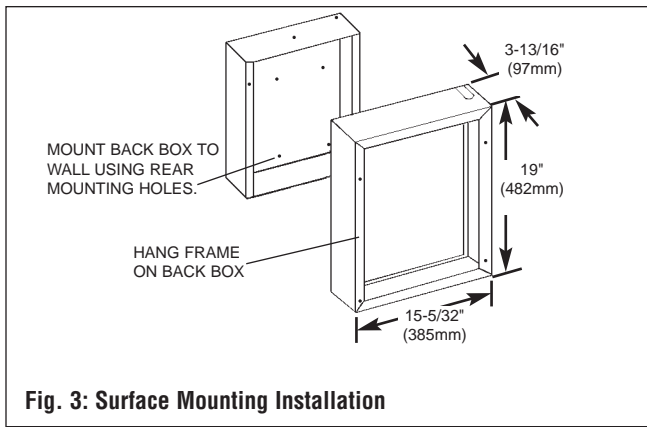
### 3. Mounting Back Box

- a. Place the back box into wall opening flush with finished wall surface on bottom and sides of box. (Top flange of back box should protrude approximately 1/2" (13mm) from finished wall surface).
- b. Secure the back box in place with wood screws or nails.

## Installation of Back Box With Surface-Mounting Frame (See Figure 3).

1. Secure back box to wall (with knockouts in upper right hand corner) using screws and anchors.
2. Hang the surface-mounting frame on the back box. Ensure that the back edge of the surface-mounting frame is flush against the wall.

**NOTE:** If heater is located in a high traffic area where it may be subjected to vandalism or abuse, take extreme care to see that the box is firmly attached to the wall.



**Fig. 3: Surface Mounting Installation**

### 3. Power Supply Wiring

NOTE: Wiring Compartment Volume - 119in<sup>3</sup> (1950cm<sup>3</sup>).

- a. Run correctly sized power supply cable into the area of the upper right corner of the mounting frame.

NOTE: If the wiring is to run through the wall, cut a hole in the area of the top of the back box. Run the supply wire through this hole. Then remove the knockout from the top of the box and proceed to step c.

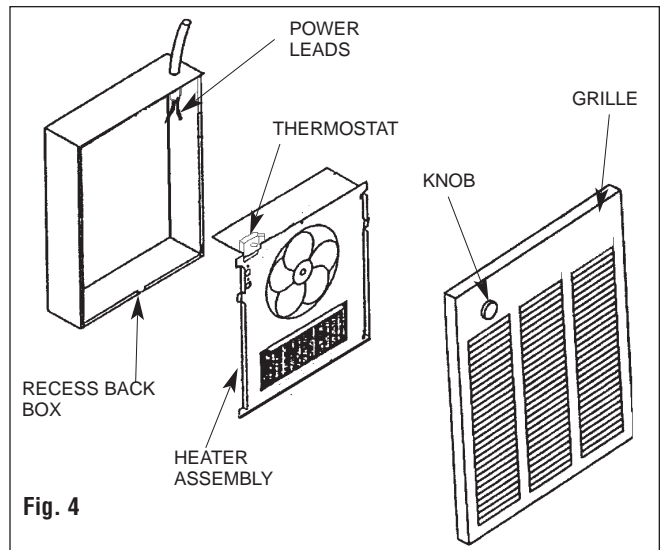
- b. Remove the knockout on the top side of the frame.
- c. Feed the power supply cable through the frame allowing 6" (152mm) of lead to remain inside the frame
- d. Insert power supply cable through cable clamp, allowing at least 6" (152mm) of leads to extend inside the back box. Connect the blue lead wires of disconnect switch to the supply wire leads using wire connectors. (See wiring diagram, Fig. 5)

- e. Ground the back box by connecting the supply ground leadwire to the green ground screw located in the inside top of the back box.

### Installation of Heater Assembly and Grille

After back box is completely installed and no further construction dirt is expected, clean debris from back box, remove heater assembly from its carton, then refer to Figure 4 and proceed as follows:

1. Insert the heater assembly into back box, placing the four mounting holes (with key-hole slots) over the screws in the back box. Tighten all screws securely.
2. If surface-mounting frame is used, ensure that the frame is even with all four heater assembly tabs before tightening screws.



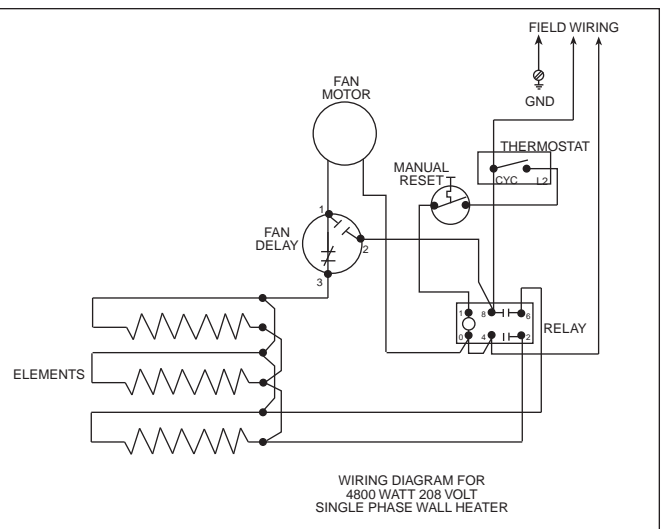
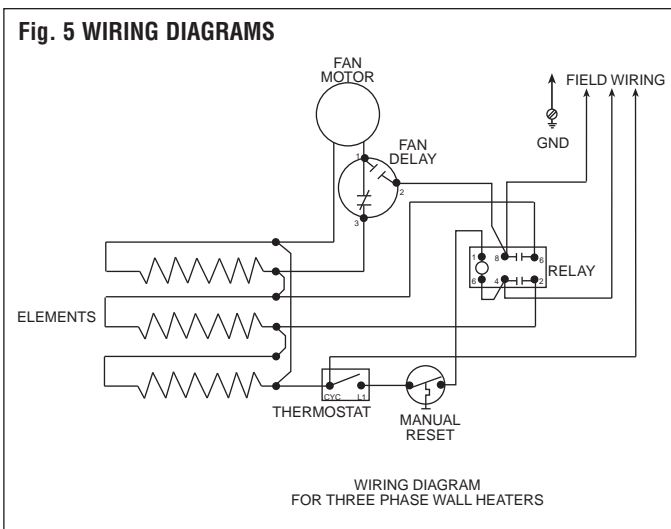
**Fig. 4**

3. Connect the lead wires from the disconnect switch to the lead wires from the fan deck. See wiring diagram, Figure 5.
4. Verify that the power supply ground wire is properly connected to the green colored ground screw in the back box.
5. Turn thermostat to the extreme counterclockwise position.
6. Mount the grille using four (4) long screws provided. The screws thread into holes located in the side flanges of the back box.
7. Push thermostat knob onto thermostat shaft.

### Operation

1. Rotate the thermostat knob fully clockwise. This should energize the heating elements and the fan, causing air to flow from the air discharge at the openings in the bottom of the grille.
2. After the discharge air has become warm, rotate the thermostat knob to the desired position to obtain room comfort.

**NOTE:** For best results, the heater should be left ON constantly during the heating season since the thermostat, when properly set, will maintain the desired temperature.



## IMPORTANT INFORMATION

### Maintenance

#### TO RESET MANUAL RESET LIMIT

Your heater is equipped with a manual reset safety thermal limit control that will automatically turn the heater off to prevent a fire if the heater overheats. This control is located on the fan panel assembly between the element and fan blade and marked "reset". The red reset button can be seen through the front grille when the heater is installed. To reset, allow the heater to cool then push the red button that is visible through the hole in the fan panel. The heater should immediately return to normal operation.

### CAUTION



OPERATION OF THE MANUAL RESET SAFETY THERMAL LIMIT CONTROL IS AN INDICATION THAT THE HEATER HAS BEEN SUBJECTED TO SOME ABNORMAL CONDITION. IT IS RECOMMENDED THAT THE HEATER BE CHECKED BY A REPUTABLE ELECTRICIAN OR REPAIR SERVICE TO ENSURE THE HEATER HAS NOT BEEN DAMAGED.

The heater should be cleaned annually to remove dust and other foreign material which has collected during the heating season. This is a simple operation when performed as follows:

1. Turn off the electric power at main line switch (or remove all fuses) to disconnect electric power from the heater. **THIS IS IMPORTANT.**
2. Remove the grille (Fig. 4).
3. With a vacuum cleaner nozzle or dust cloth, remove dust and other foreign material.

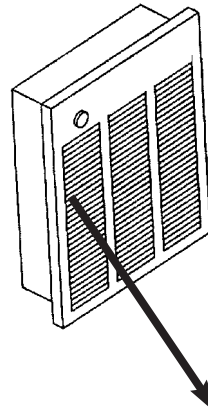
### CAUTION



**DO NOT USE WATER OR DAMP CLOTH FOR CLEANING AND DO NOT DISTURB THE HEATING ELEMENT.**

4. After cleaning reinstall the grille.

5. Turn on the main line switch (or replace fuses) to restore power to the heater. The heater is now ready for another season of operation.



MODEL NO. **K4083A**

DATE CODE: **0595**

FAN FORCED WALL HEATER

APPAREIL DE CHAUFFAGE MURAL À AIR PULSÉ

VOLTS AC 208 60HZ WATTS 1140

208 3

MUST BE USED WITH BACK BOX

DO NOT OPERATE WITHOUT FRONT COVER IN PLACE.

DOIT ÊTRE UTILISÉ AVEC BOÎTIER ARRIÈRE AWH-BB

NE PAS UTILISER SI LE COUVERCLE AVANT N'EST PAS EN PLACE.

MARLEY ENGINEERED PRODUCTS

BENNETTSVILLE, SC 29512



4104-2093-032

## LIMITED WARRANTY

All products manufactured by Marley Engineered Products are warranted against defects in workmanship and materials for one year from date of installation, except heating elements which are warranted against defects in workmanship and materials for five years from date of installation. This warranty does not apply to damage from accident, misuse, or alteration; nor where the connected voltage is more than 5% above the nameplate voltage; nor to equipment improperly installed or wired or maintained in violation of the product's installation instructions. All claims for warranty work must be accompanied by proof of the date of installation.

The customer shall be responsible for all costs incurred in the removal or reinstallation of products, including labor costs, and shipping costs incurred to return products to Marley Engineered Products Service Center. Within the limitations of this warranty, inoperative units should be returned to the nearest Marley authorized service center or the Marley Engineered Products Center, and we will repair or replace, at our option, at no charge to you with return freight paid by Marley. It is agreed that such repair or replacement is the exclusive remedy available from Marley Engineered Products.

THE ABOVE WARRANTIES ARE IN LIEU OF ALL OTHER WARRANTIES EXPRESSED OR IMPLIED. AND ALL IMPLIED WARRANTIES OF MERCHANTABILITY AND FITNESS FOR A PARTICULAR PURPOSE WHICH EXCEED THE AFORESAID EXPRESSED WARRANTIES ARE HEREBY DISCLAIMED AND EXCLUDED FROM THIS AGREEMENT. MARLEY ENGINEERED PRODUCTS SHALL NOT BE LIABLE FOR CONSEQUENTIAL DAMAGES ARISING WITH RESPECT TO THE PRODUCT, WHETHER BASED UPON NEGLIGENCE, TORT, STRICT LIABILITY, OR CONTRACT.

Some states do allow the exclusion or limitation of incidental or consequential damages, so the above exclusion or limitation may not apply to you. This warranty gives you specific legal rights, and you may also have other rights which vary from state to state.

For the address of your nearest authorized service center, contact Marley Engineered Products in Bennettsville, SC, at 1-800-642-4328. Merchandise returned to the factory must be accompanied by a return authorization and service identification tag, both available from Marley Engineered Products. When requesting return authorization, include all catalog numbers shown on the products.

### HOW TO OBTAIN WARRANTY SERVICE AND WARRANTY PARTS PLUS GENERAL INFORMATION

- |                                |                          |
|--------------------------------|--------------------------|
| 1. Warranty Service or Parts   | <b>1-800-642-4328</b>    |
| 2. Purchase Replacement Parts  | <b>1-800-654-3545</b>    |
| 3. General Product Information | <b>www.marleymep.com</b> |

**Note:** When obtaining service always have the following:

1. Model number of the product
2. Date of manufacture
3. Part number or description



**Marley**  
Engineered Products

470 Beauty Spot Rd. East  
Bennettsville, SC 29512 USA

ECR 37257

4/07

4