

WhisperWarm™ | Quiet Heat Solution

FV-11VH2 110 CFM 4" Duct
FV-11VHL2 110 CFM 4" Duct



WhisperWarm Key Benefits:

- Durable 1400W stainless steel sheathed heating element
- Totally enclosed condenser motor for long life – rated 30,000 hours continuous run
- Thermal fuse protection on motor and 3-level safety device for heater
- Quick 1 minute warm-up
- Light option includes (2) 13W self ballasted GU24 base CFL lamps and a 4W night light
- Minimum 20 Amp dedicated circuit required
- For optimum performance, install heater no more than 8 feet from floor to ceiling
- Fits in 2 x 8 construction

WhisperWarm Characteristics	FV-11VH2		FV-11VHL2	
Static pressure in inches w.g.	0.1	0.25	0.1	0.25
Air Volume (CFM)	110	89	110	89
Noise (sones)	0.6	1.0	0.7	1.0
Power Consumption (Watts)	30.7	30.5	30.6	30.5
Energy Efficiency (CFMs/Watt)	3.6	2.9	3.6	2.9
Speed	778	935	812	956
Current	0.25	0.25	0.25	0.25
Power Rating (V/Hz)	120/60		120/60	



INCLUDES: (2) 13W ENERGY STAR® rated self ballasted GU24 base CFL lamps and a 4W night light. 3500 Kelvin/80+ CRI/997 Lumens per lamp/75 Lumens per watt/10,000 hours rated average life at 3 hours per start.



WhisperCeiling™ | Quiet, Spot Ventilation Solution

FV-20VQ3 190 CFM 6" Duct
FV-30VQ3 290 CFM 6" Duct
FV-40VQ4 390 CFM 6" Duct



WhisperCeiling Key Benefits:

- Quiet, yet powerful, large volume exhaust fans ideal for light commercial applications
- Fits in 2 x 8 construction
- UL listed for tub/shower enclosure when used with a GFCI protected circuit
- Can be used to comply with ASHRAE 62.2, LEED, IAP, California Title 24 and WA Ventilation Code

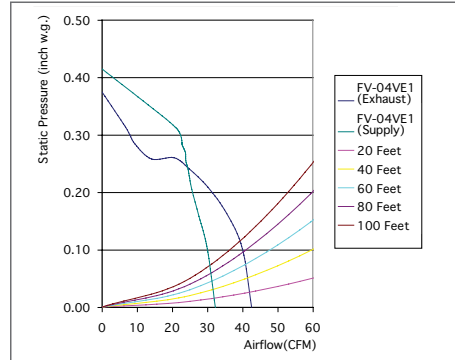
WhisperCeiling Characteristics	FV-20VQ3		FV-30VQ3		FV-40VQ4	
Static pressure in inches w.g.	0.1	0.25	0.1	0.25	0.1	0.25
Air Volume (CFM)	190	145	290	257	390	356
Noise (sones)	0.8	1.4	2.0	N/A	3.0	3.0
Power Consumption (Watts)	43.7	42.9	64.0	62.0	111.4	109.6
Energy Efficiency (CFMs/Watt)	4.6	3.6	4.5	4.1	3.5	3.3
Speed	761	949	877	990	793	874
Current	0.34	0.33	0.53	0.52	0.99	0.98
Power Rating (V/Hz)	120/60		120/60		120/60	



Specialty Fans — Performance Curves

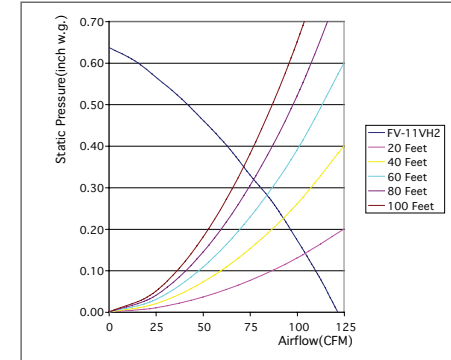
WhisperComfort™
VENTILATION FAN

FV-04VE1 40/20 CFM or 20/10 CFM 2 x 4" Ducts

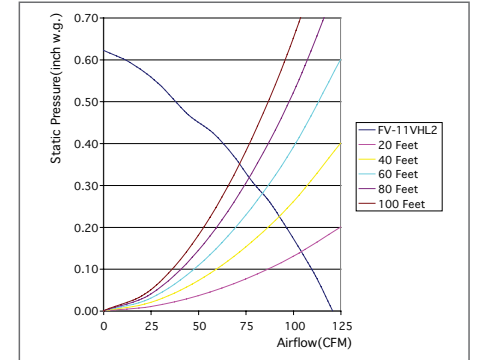


WhisperWarm™
VENTILATION FAN

FV-11VH2 110 CFM 4" Duct

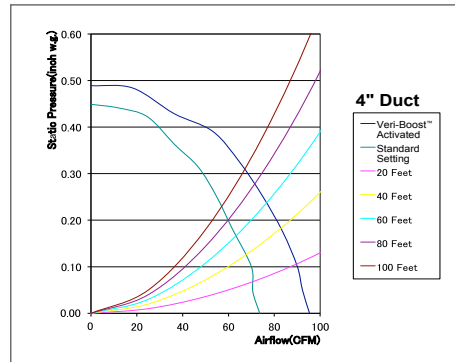


FV-11VHL2 110 CFM 4" Duct



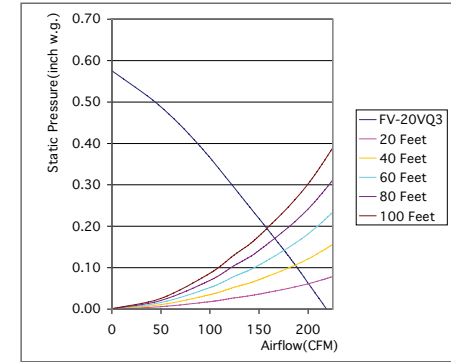
ecovent™

FV-07VBA1 + FV-07VBB1 70 CFM with Veri-Boost™ 4" Ducts

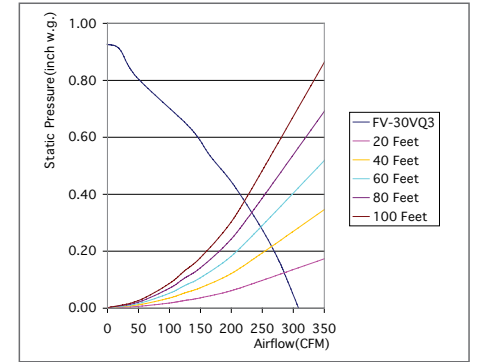


WhisperCeiling™
VENTILATION FAN

FV-20VQ3 190 CFM 6" Duct

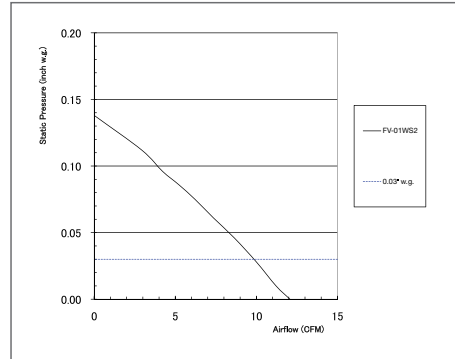


FV-30VQ3 290 CFM 6" Duct

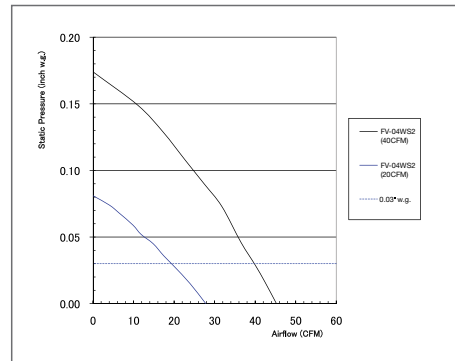


WhisperSupply Wall™
VENTILATION FAN

FV-01WS2 10 CFM 4" Duct

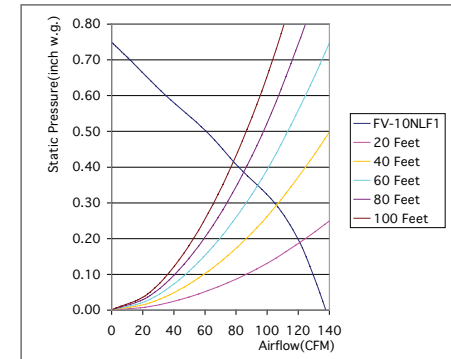


FV-04WS2 20 CFM & 40 CFM 6" Duct

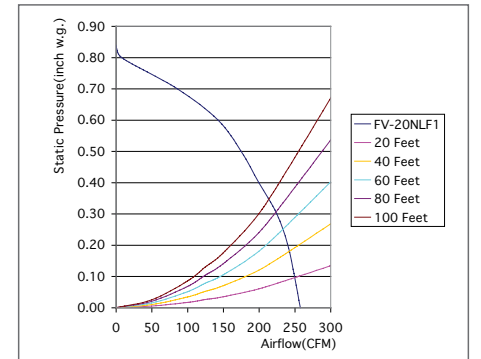


WhisperLine™
VENTILATION FAN

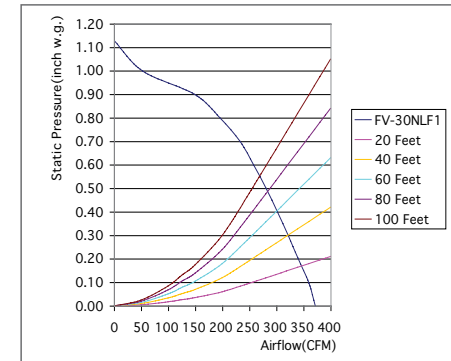
FV-10NLF1 120 CFM 4" Duct



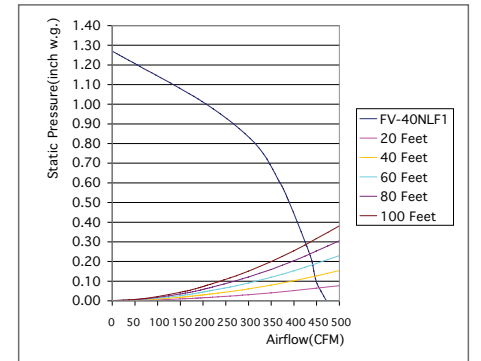
FV-20NLF1 240 CFM 6" Duct



FV-30NLF1 340 CFM 6" Duct

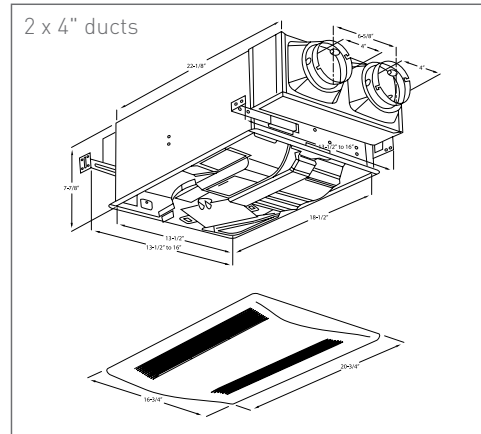


FV-40NLF1 440 CFM 8" Duct



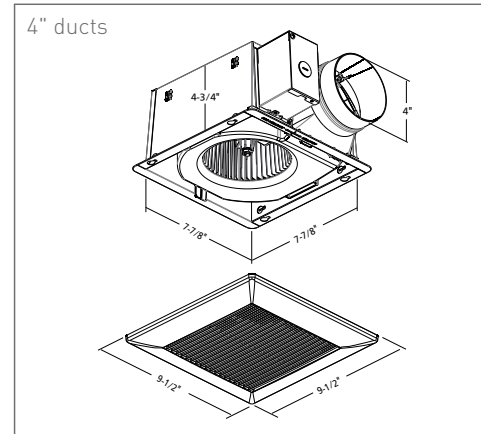
Specialty Fans — Dimensional Drawings

WhisperComfort™ VENTILATION FAN



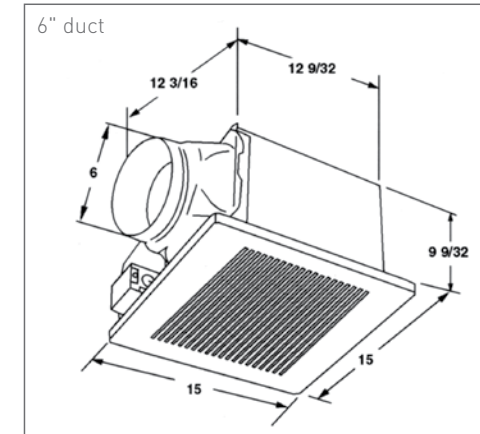
FV-04VE1

ecoVent™

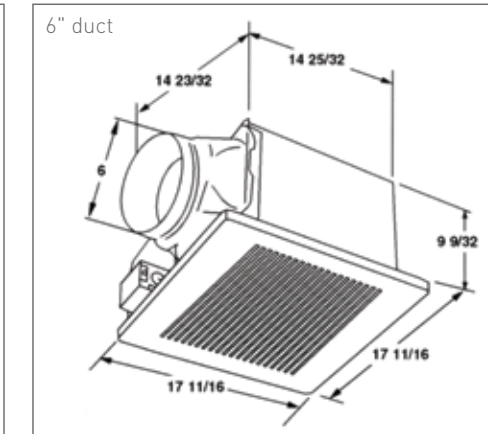


FV-07VBA1 + FV-07VBB1

WhisperCeiling™ VENTILATION FAN

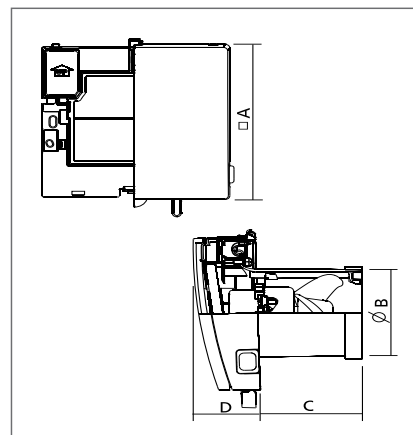


FV-20VQ3 / FV-30VQ3

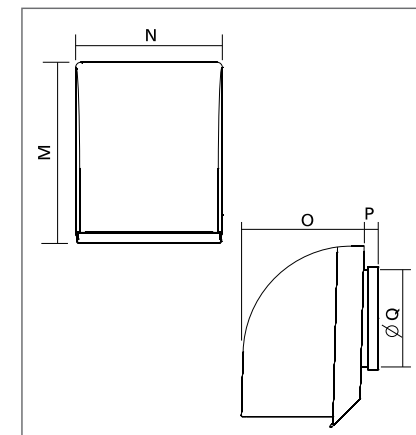
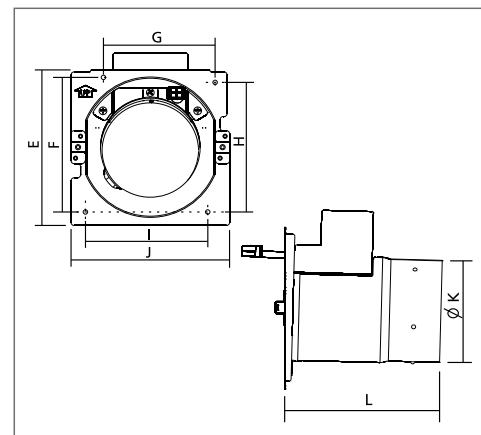


FV-40VQ4

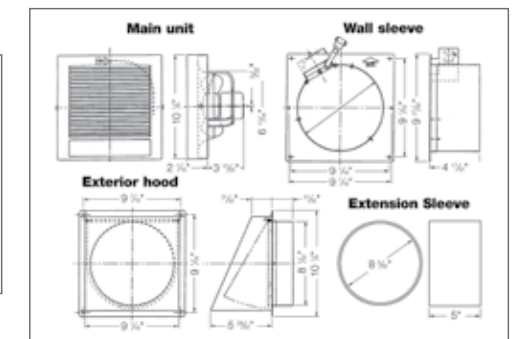
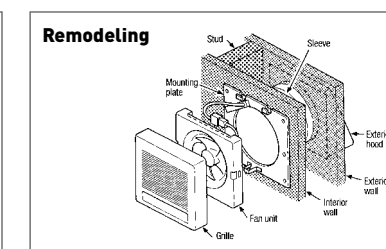
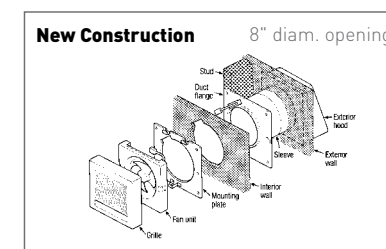
WhisperSupply Wall™ VENTILATION FAN



FV-01WS2 / FV-04WS2

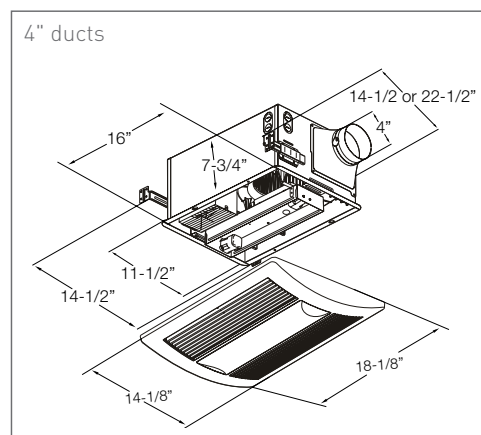


WhisperWall™ VENTILATION FAN

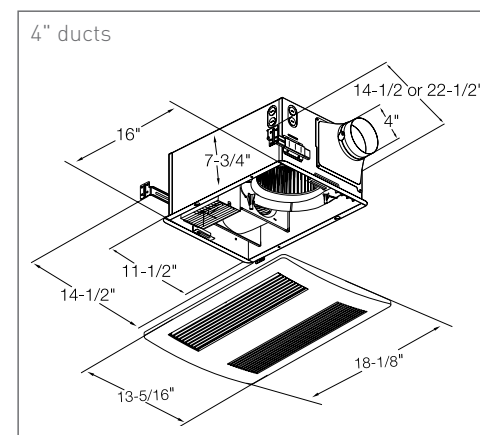


FV-08WQ1

WhisperWarm™ VENTILATION FAN

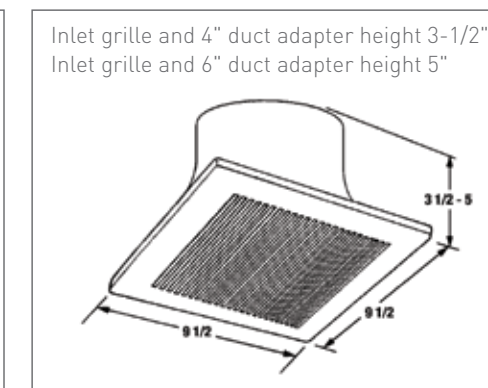
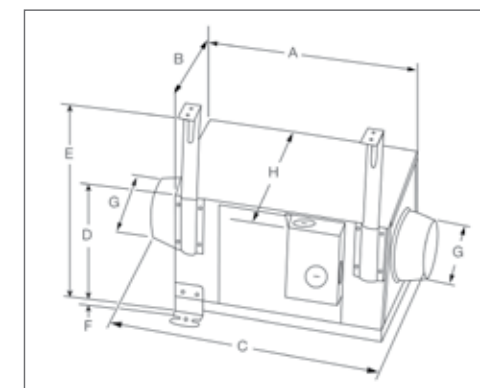


FV-11VHL2



FV-11VH2

WhisperLine™ VENTILATION FAN



Inlet grille and 4" duct adapter height 3-1/2"
Inlet grille and 6" duct adapter height 5"

WhisperLine Installation Kits

Fan Model	A	B	C	D	E	F	G	H
FV-10NLF1	13-3/8"	9-1/2"	17-5/16"	7-7/8"	12-5/8" - 22-3/4"	5/16"	4"	11"
FV-20NLF1	13-3/8"	9-1/2"	21-5/8"	9-7/16"	12-5/8" - 24-7/16"	5/16"	6"	11"
FV-30NLF1	15-11/32"	10-5/8"	23-5/8"	11"	12-5/8" - 26"	5/16"	6"	12-1/8"
FV-40NLF1	16-1/2"	13-3/8"	22"	11"	12-5/8" - 26"	5/16"	8"	14-7/8"