



Assembly & Installation Instructions

CAUTION: Read instructions carefully and turn electricity off at main circuit breaker panel before beginning installation.

8746, 9110

WARNING - If any Special Control Devices are used with this Fixture, Follow the Instructions Carefully to assure full compliance with N.E.C. requirements. If there are any questions, contact a Qualified Electrical Contractor.

WARNING - This product contains chemicals known to the State of California to cause cancer, birth defects and /or other reproductive harm. Thoroughly wash hands after installing, handling, cleaning, or otherwise touching this product.

IMPORTANT SAFETY INSTRUCTIONS SAVE THESE INSTRUCTIONS

REFER TO THEM WHEN ADDITIONS TO OR CHANGES IN THE TRACK CONFIGURATION ARE MADE.

- 1- This TRACK ACCESSORY is to be used with PROGRESS TRAK 1 TRACK only.
- 2- DO NOT attempt to power this TRACK ACCESSORY with any form of power supply cord from a wall receptacle, or to attach any form of convenience receptacle to this TRACK.
- 3- This TRACK ACCESSORY is to be supplied by a single branch circuit such as a 120 volt circuit with a grounded neutral.
- 4- Use of this TRACK SYSTEM with dimmers, timing controls, energy saving devices, special security switching, or other devices could create a safety hazard. Obtain professional advice before using this TRACK SYSTEM with other devices.

IMPORTANT SAFETY INSTRUCTIONS

WHEN INSTALLING OR USING THIS TRACK SYSTEM, BASIC SAFETY PRECAUTIONS SHOULD ALWAYS BE FOLLOWED INCLUDING:

- 1- Read all instructions and TURN OFF ELECTRICITY at MAIN FUSE BOX, before installing adding to, or changing the configuration of the TRACK. Also disconnect electrical power at the fuse or circuit breaker, before servicing or relamping.
- 2- DO NOT install this TRACK ACCESSORY in a damp or wet location, or less than five (5) feet above the floor. TRACK MUST be installed in a location and a manner consistent with its intended use and in compliance with the NATIONAL ELECTRICAL CODE and with other, local ELECTRICAL CODES. TRACK must be GROUNDED to avoid potential electrical shock or other potential hazards. Polarity must be maintained throughout the installation.
- 3- DO NOT use this TRACK ACCESSORY for other than its intended use. DO NOT attempt to energize anything other than PROGRESS TRAK 1 TRACK from this TRACK ACCESSORY. To reduce the risk of fire and electric shock, DO NOT attempt to connect power tools, extension cords, appliances, and the like to this TRACK ACCESSORY.
- 4- DO NOT install any TRACK LIGHTING FIXTURE ASSEMBLY or ACCESSORY closer than six (6) inches from any curtain or similar combustible material.
- 5- All servicing, MUST be performed by qualified service personnel.

SAVE THESE INSTRUCTIONS

Instrucciones de ensamblaje e instalación

Precaución: Lea cuidadosamente las instrucciones y desconecte la electricidad del cortacircuitos principal antes de iniciar la instalación.

ADVERTENCIA - Si usa algún dispositivo especial de control con este aparato de luz, siga las instrucciones cuidadosamente para asegurar la completa conformidad con los requisitos N.E.C. Si existe alguna duda, contacte un electricista calificado.

ADVERTENCIA - Este producto contiene sustancias químicas que según el Estado de California causa cáncer, defectos de nacimiento y (o) daño al sistema reproductor. Lavarse bien las manos después de instalar, manipular, limpiar o tocar de manera alguna este producto.

Instructions d'Assemblage et Installation

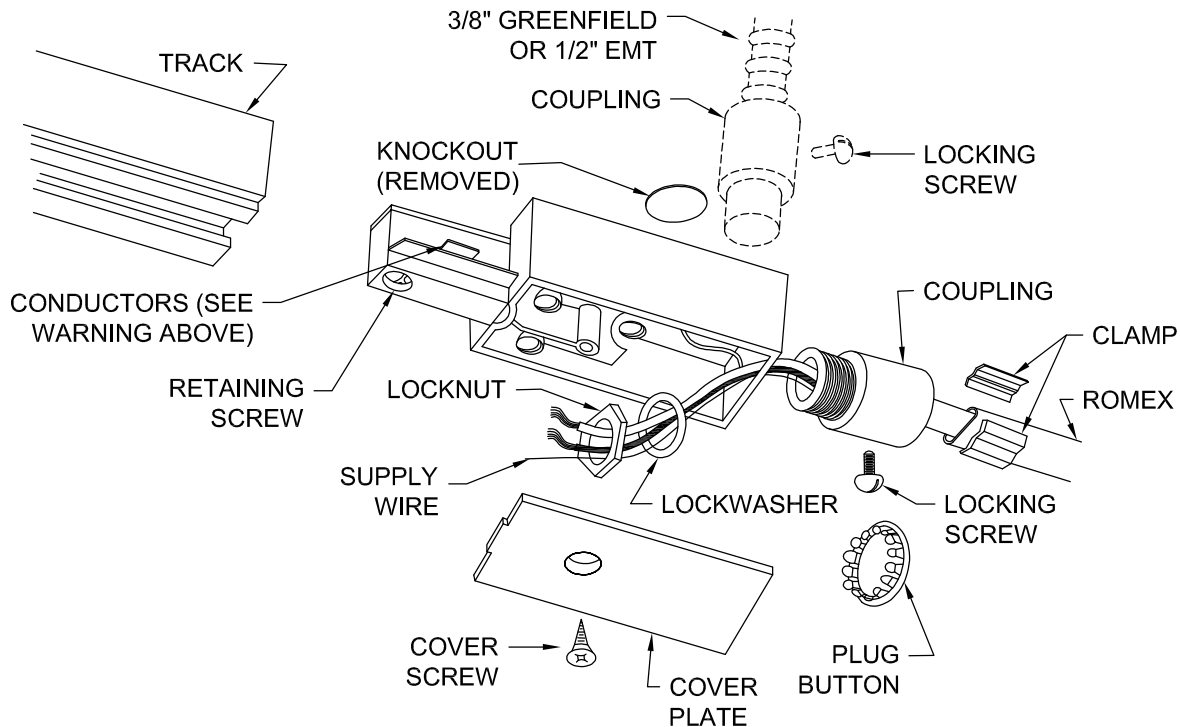
Mise en garde: Lire les instructions avec soin et couper le courant au disjoncteur central avant de commencer l'installation.

AVERTISSEMENT - S'il y a d'autres mécanismes régulateurs qui s'emploient avec ce dispositif, suivre soigneusement les instructions pour satisfaire aux exigences NEC. Si vous avez des questions, consulter un électricien qualifié.

AVERTISSEMENT - Ce produit contient des composants chimiques qui selon L'état de Californie provoquent un cancer, des infirmités de naissance et (ou) du mal au système reproductif. Il faut laver les mains soigneusement après avoir installé, manipulé, nettoyé, ou autrement touché ce produit.

WARNING! DO NOT turn on power until this FEED is fully installed in TRACK. Exposed CONDUCTORS become electrically LIVE and DANGEROUS immediately, when power is turned on.

NOTE: This FEED will only fit into one end of TRACK, as shown.



- 1- Remove COVER PLATE SCREW and COVER PLATE from FEED HOUSING.
- 2- Install COUPLING as follows:
 - A - END CONNECTION - Slip COUPLING into end of FEED HOUSING and secure in place with LOCKNUT and LOCKWASHER, with LOCKING SCREW pointing downward.
 - B - TOP CONNECTION - Remove KNOCKOUT from PLATE in FEED HOUSING, Slip COUPLING down into hole in PLATE and secure in place with LOCKNUT and LOCKWASHER. Insert PLUG BUTTON in END HOLE
- 3- Slip SUPPLY WIRES from end of CABLE, through COUPLING.
- 4- Slip 3/8" GREENFIELD or 1/2" EMT into COUPLING and secure in place with LOCKING SCREW. If ROMEX is used, place one CLAMP on each side of ROMEX, and slip ROMEX and CLAMPS into COUPLING. Secure in place by tightening LOCKING SCREW against CLAMP.
- 5- Connect GROUND WIRE from SUPPLY CABLE to GREEN GROUND SCREW. Connect WHITE SUPPLY WIRE to SILVER COLORED SCREW. Connect BLACK SUPPLY WIRE to BRASS COLORED SCREW. Tighten SCREWS securely.
- 6- Replace COVER PLATE and COVER SCREW in FEED HOUSING.
- 7- Insert FEED into TRACK as shown (SEE WARNING AND NOTE ABOVE), and secure in place with RETAINING SCREW.