

Assembly & Installation Instructions

CAUTION: Read instructions carefully and turn electricity off at main fuse box before beginning installation.

6820-TG

NATIONAL ELECTRICAL CODE REQUIREMENTS:

- 1.- **WARNING (FIRE HAZARD):** RECESSED PORTIONS OF RECESSED HOUSING, OTHER THAN AT POINTS OF SUPPORT, SHALL BE SPACED AT LEAST 1/2 INCH FROM COMBUSTIBLE MATERIAL. THERMAL INSULATION SHALL NOT BE INSTALLED WITHIN 3" OF THE RECESSED HOUSING, JUNCTION BOX, OR BALLAST, AND SHALL NOT BE SO INSTALLED ABOVE THE FIXTURE, AS TO ENTRAP HEAT, AND PREVENT THE FREE CIRCULATION OF AIR.
 - 2.- **WARNING -** IF ANY SPECIAL CONTROL DEVICES ARE USED WITH THIS FIXTURE, FOLLOW THE INSTRUCTIONS CAREFULLY, TO ASSURE FULL COMPLIANCE WITH N.E.C. REQUIREMENTS. IF THERE ARE ANY QUESTIONS, CONTACT A QUALIFIED ELECTRICAL CONTRACTOR.
- *****

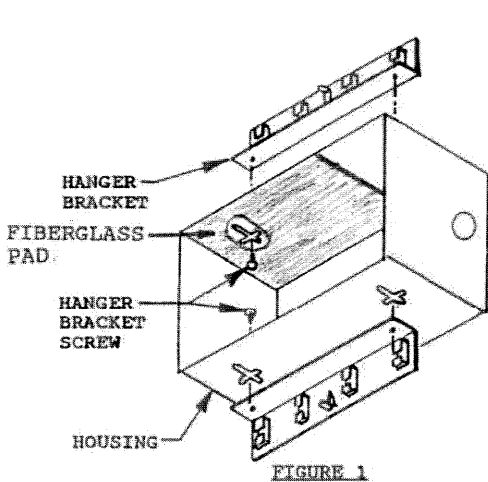


FIGURE 1

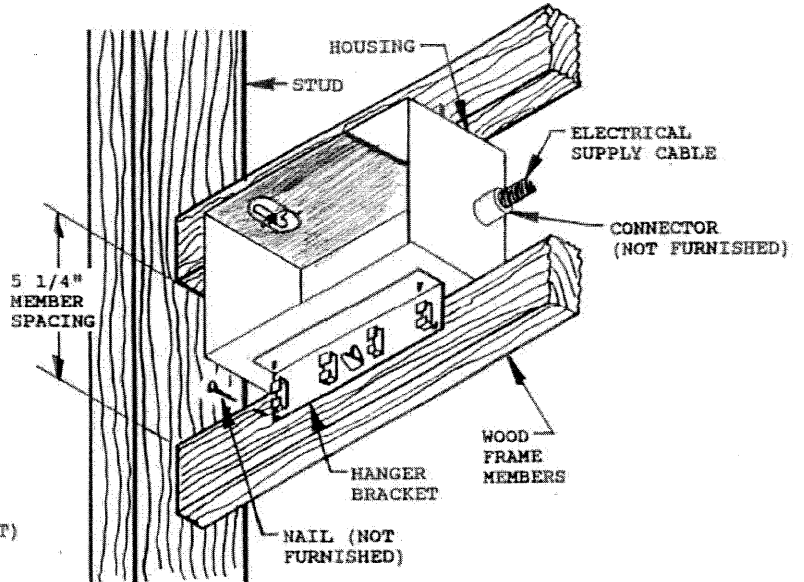


FIGURE 2

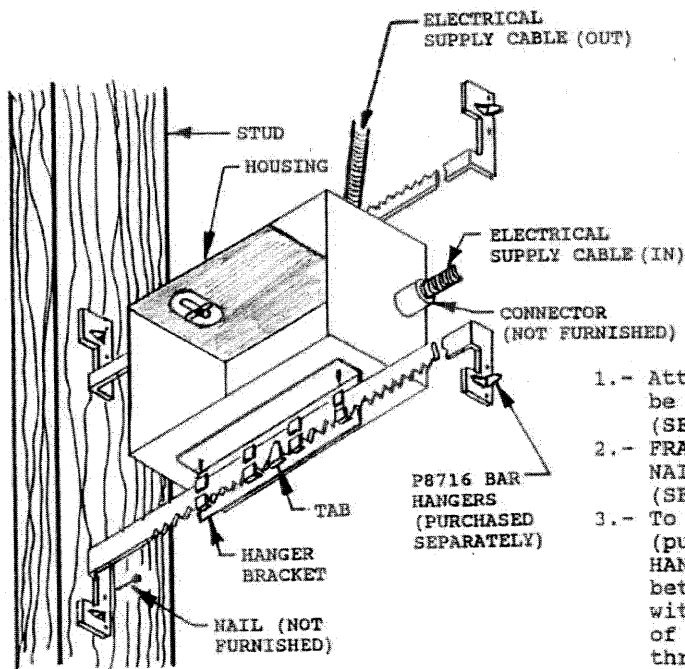


FIGURE 3

- 1.- Attach HANGER BRACKETS to housing. BRACKETS must be parallel to front edge of HOUSING. (SEE FIGURE 1)
- 2.- FRAME-IN STUDS at desired FIXTURE location, and NAIL HANGER BRACKETS to WOOD FRAMING MEMBERS. (SEE FIGURE 2)
- 3.- To use optional PROGRESS P8716 BAR HANGERS (purchased separately). Slip BAR HANGERS into HANGER BRACKETS. Hold HOUSING in desired position between STUDS. **NOTE:** Front of HOUSING must be flush with finished surface of WALL. Drive BARBS, on ends of BAR HANGERS, into STUDS. Use NAILS (not furnished) through HOLES in BAR HANGER ends, for extra support. After HOUSING is located as desired, between STUDS, bend TABS on HANGER BRACKETS over BAR HANGERS, to prevent lateral movement of HOUSING. (SEE FIGURE 3)
- 4.- When FIXTURE is at end of run, remove one (1) KNOCKOUT from HOUSING end where SPLICE COMPARTMENT is to be located. Use a U.L. listed CONNECTOR (not furnished) appropriate to the type of ELECTRICAL SUPPLY CABLE at installation site. Install CABLE in HOUSING. (SEE FIGURE 2 & 3)

NOTE: Only remove KNOCKOUTS located on side that's away from FOIL FACED FIBERGLASS PAD.

(OVER)

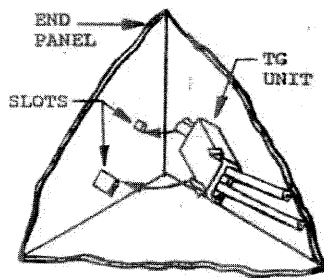


FIGURE 5

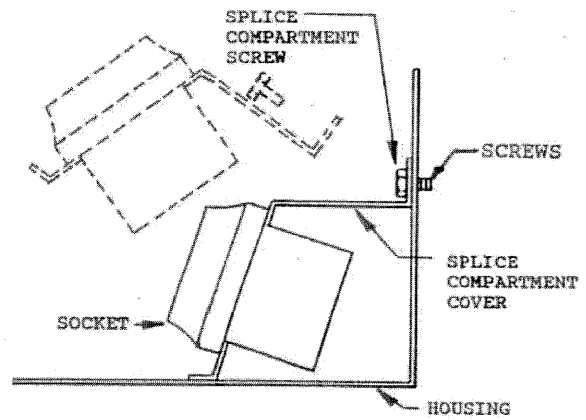


FIGURE 5

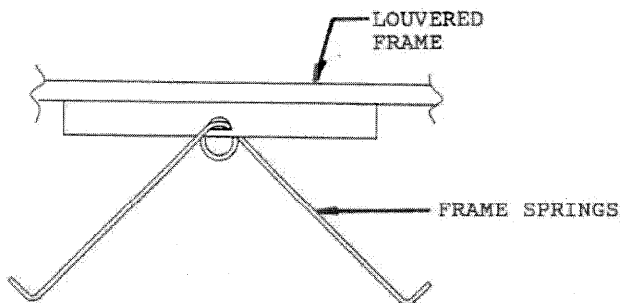


FIGURE 6

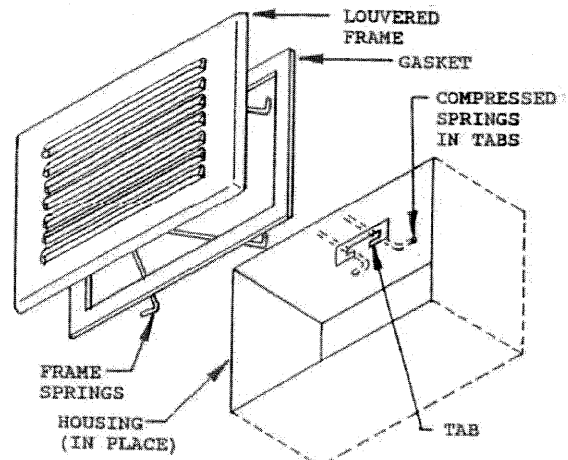


FIGURE 7

- 5.- Connect SUPPLY GROUND WIRE to SOCKET GROUND WIRE. Connect WHITE SUPPLY WIRE to WHITE SOCKET WIRE. Connect BLACK SUPPLY WIRE to BLACK WIRE from the TG UNIT. Snap the TG UNIT into SLOTS on END PANEL, and install SPLICE COMPARTMENT with two (2) SCREWS. (SEE FIGURE 4 & 5).
- 6.- After WALL is finished, install LAMP. (not furnished)

CAUTION: All GLASS is FRAGILE, use care when handling LAMP.

- 7.- Attach FRAME SPRINGS to LOUVERED FRAME. (SEE FIGURE 6)
- 8.- Fasten GASKET to LOUVERED FRAME by peeling protective paper from GASKET and pressing adhesive side of GASKET onto FRAME. (SEE FIGURE 7)
- 9.- Compress FRAME SPRINGS and insert into TABS in HOUSING. (SEE FIGURE 7)
- 10.- Press LOUVERED FRAME inward until GASKET is compressed against WALL.